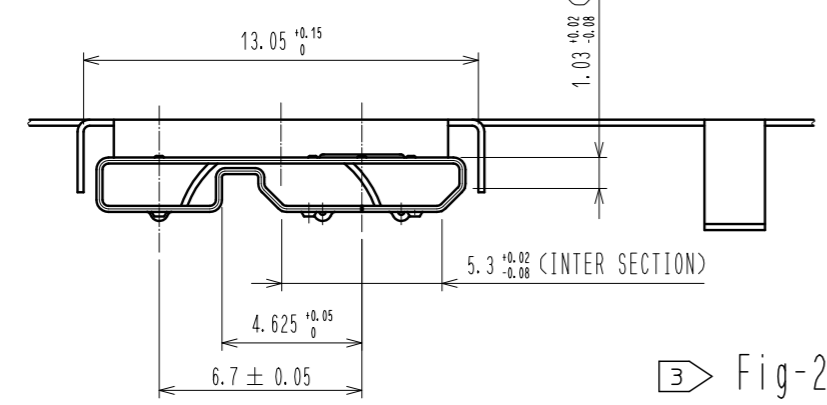
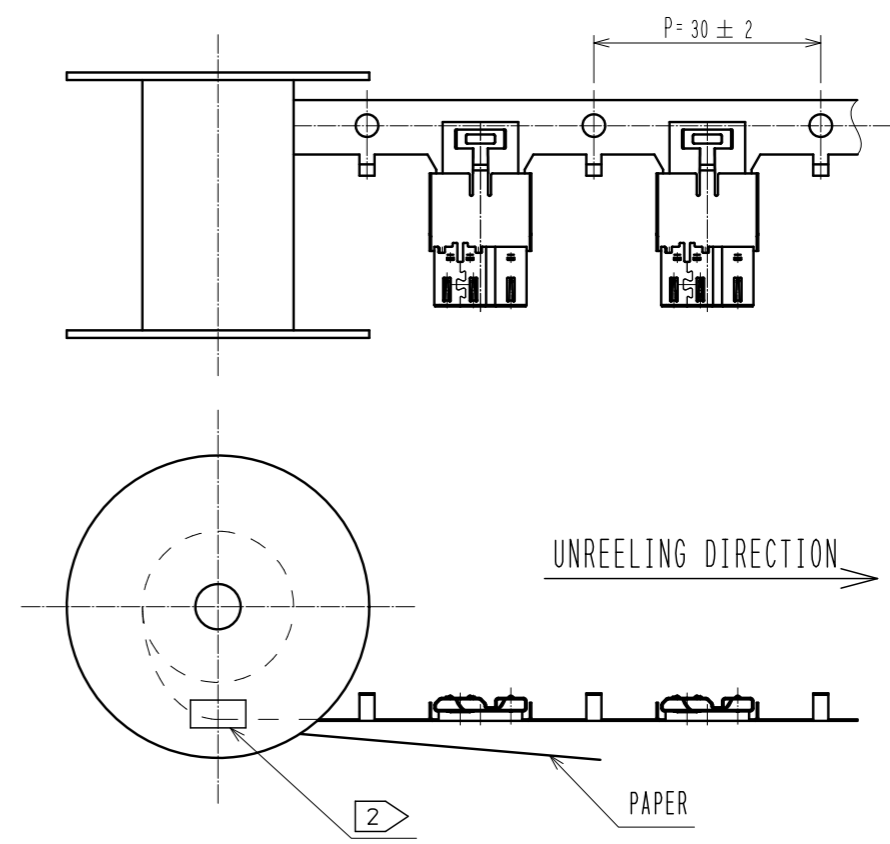
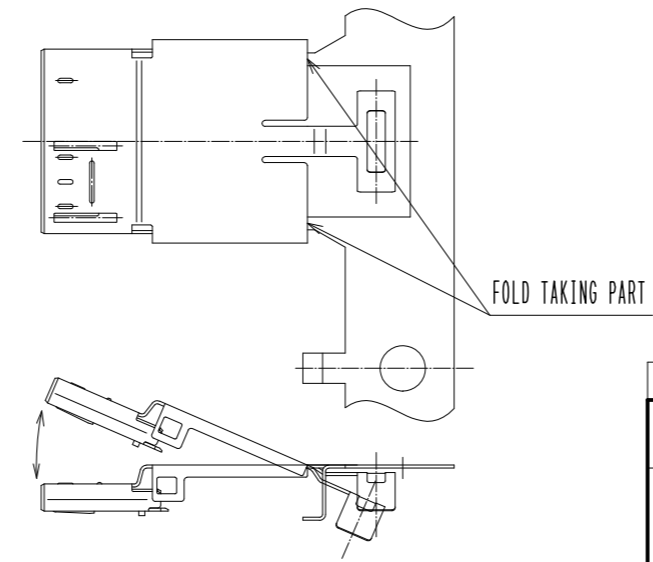
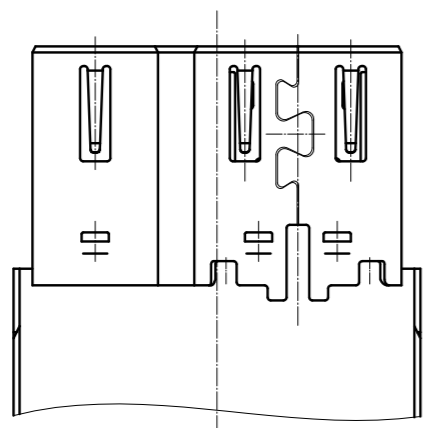
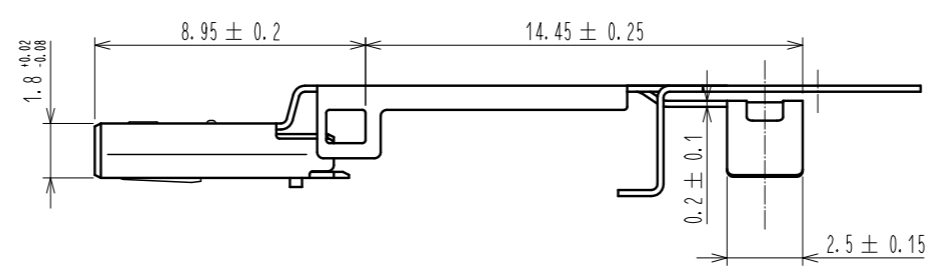


1 Fig-1 DRAWING FOR PACKING (FREE)



3 Fig-2 COMPONENT BREAK OFF FIGURE (FREE)



- NOTE 1 THIS IS DELIVERED BY A REEL. QTY : 2700 PCS. \triangle \triangle
 2 INDICATE 'Part No.', 'CL No.', 'Lot No.', AND QUANTITY ON BOTH REEL AND THE SIDE SURFACE OF THE SHIPPING OUTER BOX.
 3 REMOVE THE COMPONENT FROM THE CARRIER FOR USE AS SHOWN IN Fig.2.

NO.	MATERIAL	FINISH . REMARKS	NO.	MATERIAL	FINISH . REMARKS		
1	STAINLESS STEEL	NICKEL PLATING 0.1 μ m min					
UNITS	\odot \triangle	SCALE	COUNT	DESCRIPTION OF REVISIONS	DESIGNED	CHECKED	DATE
mm		4 : 1	1	DIS-E-003420	TF. HIGASHIYAMA	A0. SUZUKI	10.09.08
APPROVED : A0. SUZUKI			10.08.07	DRAWING NO.		EDC3-127030-00	
CHECKED : KN. ICHIKAWA			10.08.07	PART NO.		ZX360-B-SLDA	
DESIGNED : TY. MIURA			10.08.06	CODE NO.		CL242-0502-7-00	
DRAWN : TY. MIURA			10.08.06			\triangle 1/1	