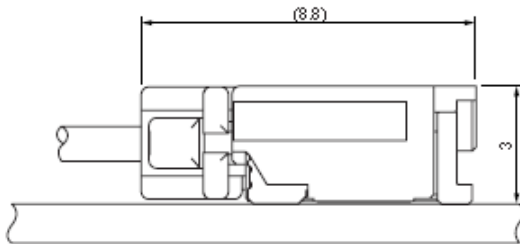
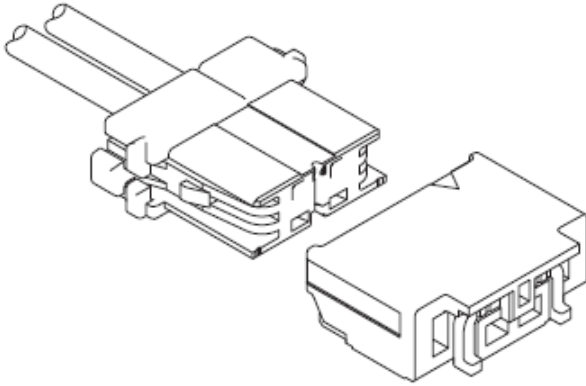


LEA Connector



1.8mm pitch / Disconnectable Crimp style connector



Designed for LED light bar applications, the low profile of the connector does not interfere with the *luminescence angle of the pcb mounted LED dies*. At *3A per contact*, it makes an ideal power connection for this application.

Features

- *Secure locking mechanism*
- *Mismatching prevention*
- *Low profile prevents interference luminescence angle of LED*

Specifications

- *Current rating: 3A AC, DC (AWG#22)*
- *Voltage rating: 300V AC,DC*
- *Temperature range: -55°C to +105°C*
(including temperature range rise in applying electrical current)
- *Contact resistance: Initial value/10mΩ max.*
After environmental testing/20mΩ max.
- *Insulation resistance: 1,000MΩ min.*
- *withstanding voltage: AC 1,700V / 1minute*
- *Applicable wire: Conductor size/AWG#30 to AWG#22*
Insulation O.D./0.7 to 1.3mm dia.
- *Refer to "General Instruction and Notice when using Terminals and Connectors at the end of the catalog.*
- *Contact JST for details.*

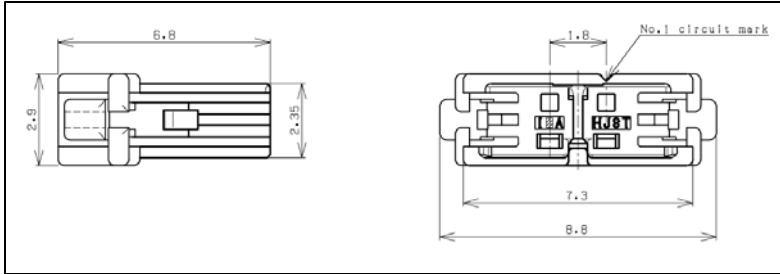
Standards



Recognized E60389

LEA connector

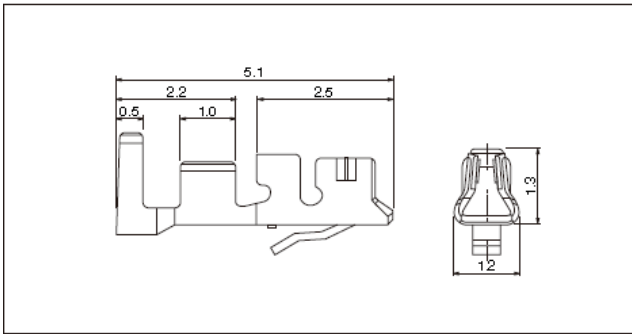
Housing



Circuits	Model No.	Qty./box
2	LEAR-02V-S	2,000

Material		
PBT, UL 94V-0		

Contacts



Model No.	Applicable wire			Qty./reel
	mm ²	AWG#	Insulation O.D. (mm)	
SSFH-001T-P0.5	0.13~0.33	26~22	0.95~1.3	15,000
SSFH-002T-P0.5	0.05~0.13	30~26	0.7 ~1.25	15,000

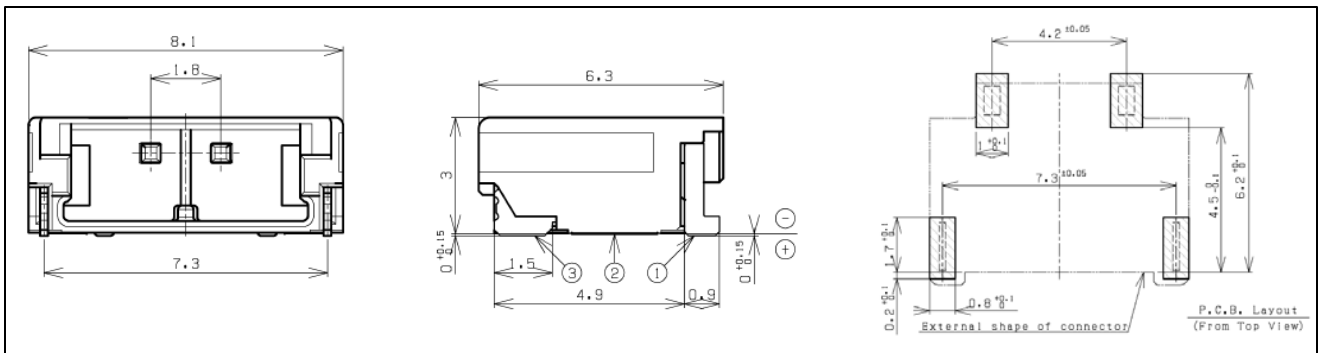
Material and Finish

Copper alloy, tin-plated (reflow treatment)

RoHS compliance

Contact	Crimping machine	Applicator		
		Crimp applicator	Dies	Crimp applicator with dies
SSFH-001T-P0.5	AP-K2N	MKS-L	MK/SSFH-001-05	APLMK.SSFH001-05
		—	—	—
SSFH-002T-P0.5	AP-K2N	MKS-L	MK/SSFH-002-05	APLMK.SSFH002-05
		—	—	—

SMT type header



Circuits	Model No.	Qty./reel	Material and Finish
2	SM02B-LEASS-TF (LF)(SN)	2,000	Copper alloy, tin plated, 9T Nylon UL 94V-0