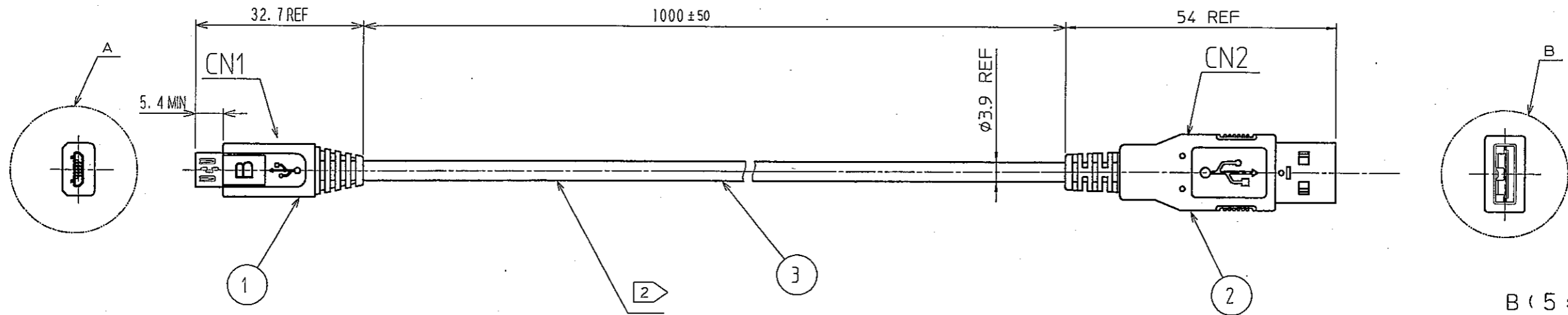
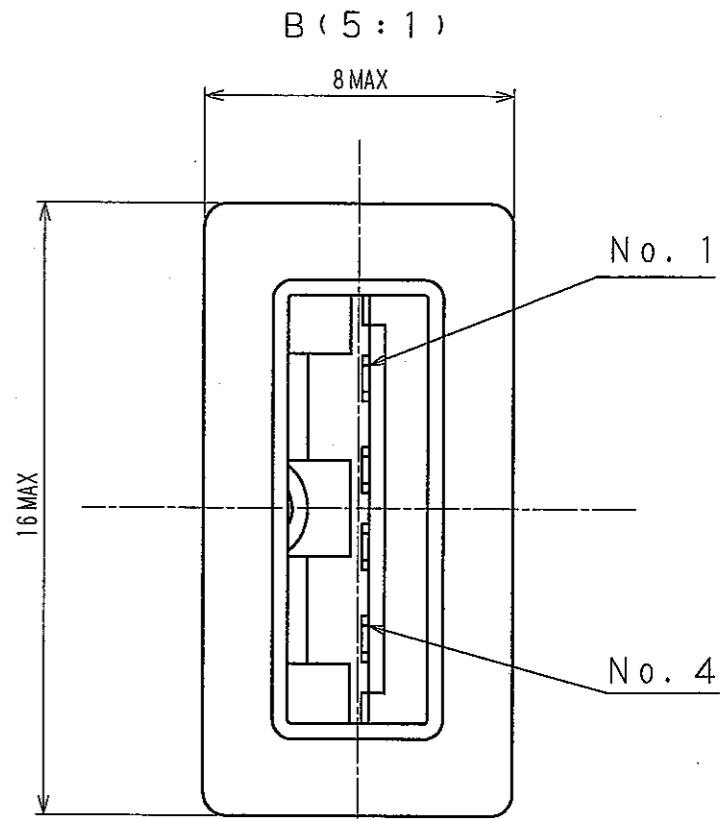
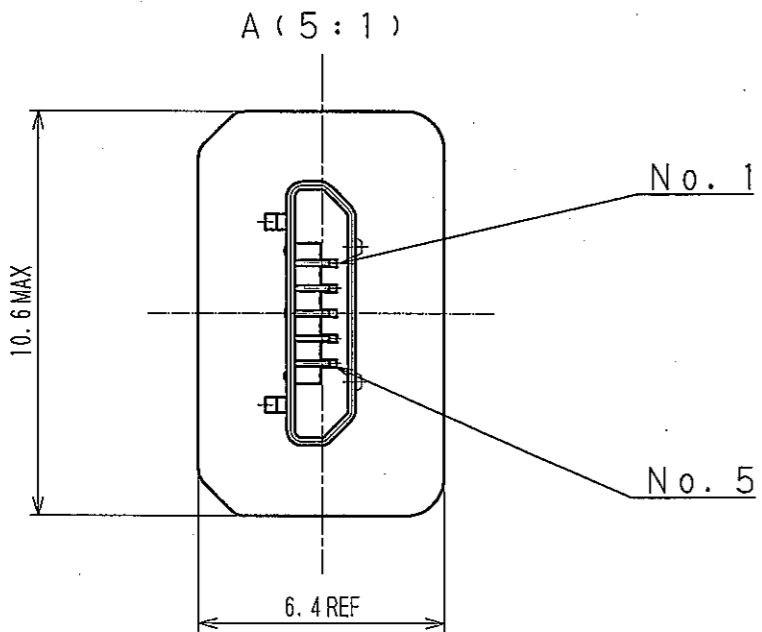


COUNT	DESCRIPTION OF REVISIONS	BY	CHKD	DATE	COUNT	DESCRIPTION OF REVISIONS	BY	CHKD	DATE
△				..	△				..
△				..	△				..
△				..	△				..



1 TABLE 1 WIRING DIAGRAM

CN1 CONTACT No.	1	2	3	4	5	SHELL
SIGNAL	VCC	DATA -	DATA +	NON WIRING	GND	BRAIDED WIRE + DRAIN WIRE
WIRING COLOR	RED	WHITE	GREEN		BLACK	
CN2 CONTACT No.	1	2	3		4	SHELL



1	CONNECTOR	ZX40-B-5S	3	INTERFACE CABLE	2	CONNECTOR	STD A PLUG
NO.	MATERIAL	FINISH, REMARKS	NO.	MATERIAL	FINISH, REMARKS	NO.	MATERIAL

CODE NO.(OLD) CL

DRAWING FOR REFERENCE
This is subject to change without notice

SCALE 1:1

UNITS mm

DRAWING NO. TEDC3-123632

PART NO. ZX40-B-5S-1000-STD A

CODE NO. CL

1/1

DESIGNED R. Koyama 07.1.11

CHECKED H. Ohkawa 07.1.11

APPROVED [Signature] 07.1.11

RELEASED [Stamp] 07.1.11

HRS HIROSE ELECTRIC CO., LTD

NOTES 1 REFER TO TABLE-1 FOR WIRING OF CN1 AND CN2.
2 THIS PRODUCT IS USING THE USB CABLE.(USB2.0 1PXA WG28 + 2CXAWG28)