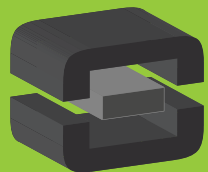


From Off-The-Shelf to Market-Ready© New Age Enclosures is your Single Source Solution.
Let us quote modifying our Stock Enclosures to meet your end-use.
visit newageenclosures.com/services or call 855-4NA-ENCL today.

CNC CUTOUTS
PART DECORATING
CUSTOM COLOR AND MATERIAL
RF/EMI SHEILDING
CUSTOM TOOL INSERTS
CUSTOM ENCLOSURES AND DESIGN



NEW AGE
ENCLOSURES

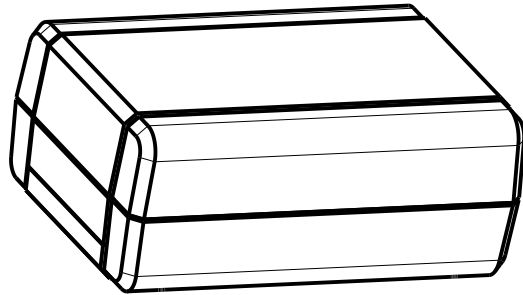
DEVELOP THE FUTURE



NOTES: UNLESS OTHERWISE SPECIFIED

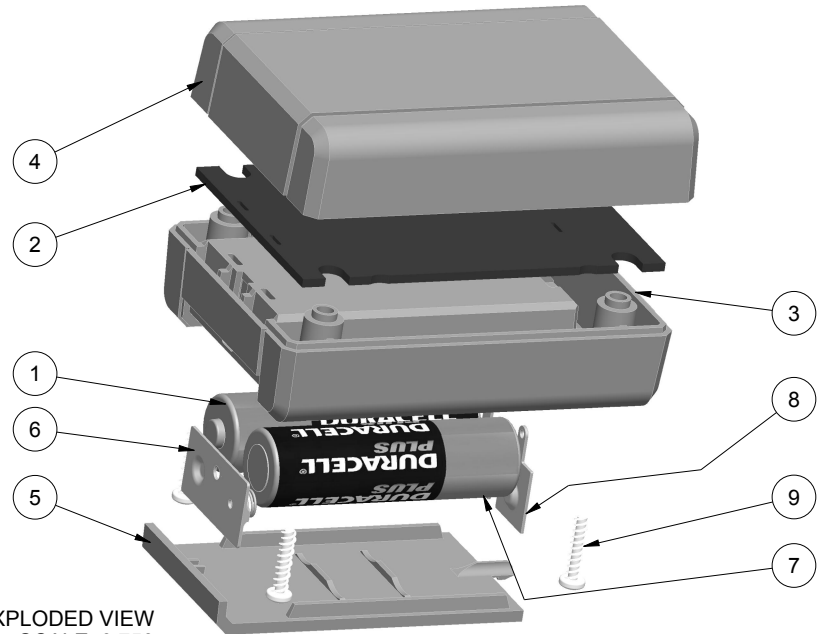
1. CORNERS DRAWN SHARP TO BE R.005 MAXIMUM.
2. EXTERIOR SURFACE TEXTURE TO BE LIGHT EDM FINISH. EQUIVALENT TO MT-11010.
3. INTERIOR SURFACE TEXTURE TO BE: NONE.
4. ALL INSIDE RADII .010R. ALL OUTSIDE RADII .020R MAX, UNLESS OTHERWISE SPECIFIED.
5. ALL EXTERNAL DIMENSIONS AFFECTED BY THE DRAFT APPLY AT THE LARGE END OF THE FEATURE, AND ALL INTERNAL FEATURES AFFECTED BY THE DRAFT APPLY AT THE SMALL END OF THE FEATURE UNLESS OTHERWISE SPECIFIED.
6. 1 DEGREE DRAFT IN THE DIRECTION OF PULL IS PERMISSIBLE UNLESS OTHERWISE SPECIFIED.
7. ASSEMBLY SCREWS FOR THE ENCLOSURE INCLUDED.
8. MATERIAL / COLOR: ABS PLASTIC IS STANDARD IN BLACK OR WHITE. CUSTOM MATERIALS AND COLORS ARE AVAILABLE UPON REQUEST FOR QUOTE.
9. PCB SIZES ARE RECOMMENDATIONS ONLY. FINAL SIZES AND VERIFICATION OF ITS FIT ARE THE SOLE RESPONSIBILITY OF EACH CUSTOMER.

S302112(x) CONFIGURATIONS			
	-Blank	-K	-WP
302112 COVER	1	1	
302112 BASE	1		
302112 MACHINED BASE		1	
302112 HATCH	1	1	
302112 WALL CRADLE		1	1
#4 HiLo SCREW .500"	4	4	



302112 STANDARD
SCALE 0.750

R E V I S I O N					
REV.	DRAWN BY	ECO No	DESCRIPTION	DATE	APPROVED
A	M BOYER		PRELIMINARY RELEASE	21-Nov-09	D.C.
H	M BOYER		ADD RIBS AFTER REVIEW 7-12-10	13-Jul-10	D.C.
1.0	M BOYER		RELEASED BY CUSTOMER	21-Jul-10	D.C.
2.0	M BOYER	3810	ADJUST PCB INFO AND PCB POSTS	28-Sep-10	D.C.
2.1	M BOYER	3810	UNAPPROVED REV 2.0, UPDATE FORMAT	30-Sep-10	D.C.
3.0	R CRUZ	7613	ADD "TALL" CONFIGURATION	18-Oct-13	D.C.
4.0	M BOYER	8613	INCLUDE WALL CRADLE OPTION	16-Dec-13	D.C.
5.0	R CRUZ	2214	UPDATE CONFIGURATION TABLE	19-May-14	D.C.
5.1	R CRUZ	5014	REMOVE SCREW HOLE ON CRADLE, "TALL" CONFIGURATION	26-Nov-14	D.C.
6.0	M BOYER	00615	INCLUDE KEEP OUT ZONE AND ADD NOTCHES TO PCB	23-Jan-15	D.C.
6.1	R CRUZ	02217	REMOVE "TALL" OPTIONS ON CONFIGURATION TABLE	2017-Sep-13	D.C.
7.0	M BOYER	03218	UPDATE BATTERY HATCH TAB FOR IMPROVED ENGAGEMENT	2018-Nov-26	



EXPLODED VIEW
SCALE 0.750

9	SCREW_HILO-N04X500	#4 HiLo x .500" SCREW	STEEL	ZINC PLATED	4
8	AA-SINGL-CONTACT-POS	ACC-AAPOS-5223	SPRING STEEL	SOLD SEPARATELY	1
7	AA-SINGL-CONTACT-NEG	ACC-AANEG-5201	SPRING STEEL	SOLD SEPARATELY	1
6	AA-DBL-CONTACT	ACC-AADBL-5212	SPRING STEEL	SOLD SEPARATELY	1
5	302112_HATCH	302112 HATCH - STANDARD	ABS	BLACK or WHITE	1
4	302112_COVER	302112 COVER - STANDARD	ABS	BLACK or WHITE	1
3	302112_BASE	302112 BASE - STANDARD	ABS	BLACK or WHITE	1
2	302112_PCB	302112 PCB - REFERENCE	CUSTOMER SUPPLIED	.062" THICK	1
1	AA-BATTERY	AA BATTERY - REFERENCE	CUSTOMER SUPPLIED	"AA" SIZE	2
ITEM	FILE NAME	DESCRIPTION	MATERIAL	COLOR	QTY.

BILL OF MATERIALS

THIRD ANGLE PROJECTION
DO NOT SCALE DRAWING

NOTICE: THE INFORMATION AND DATA CONTAINED HEREIN IS CONSIDERED PROPRIETARY TO ALLTEC INTEGRATED MFG INC & SHALL REMAIN THE EXCLUSIVE PROPERTY OF ALLTEC INTEGRATED MFG INC. THE HOLDER WILL ASSUME CUSTODY AND CONTROL THAT THIS DOCUMENT WILL NOT BE COPIED, REPRODUCED, OR DISCLOSED WITHOUT THE EXPRESS WRITTEN CONSENT OF ALLTEC INTEGRATED MFG INC. THIS DOCUMENT DOES NOT CONSTITUTE A GRANT TO MANUFACTURE ANY ITEMS.
© 2019

TOLERANCES: UNLESS OTHERWISE SPECIFIED DIMENSIONS ARE IN U.S. INCHES.
X.XX = .015 X.XXXX = .001
X.XXX = .010 X.X" = 1°

NEW AGE ENCLOSURES
Customer's Part No: 302112

APPROVAL	BY	DATE
CHECK		
ENG.		
SCALE	AS NOTED	

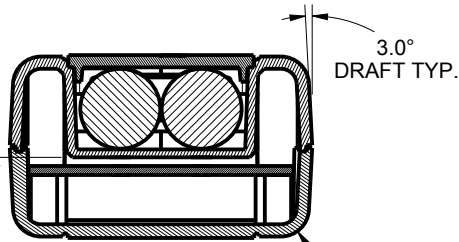
DRAWN BY
M BOYER
2009-Nov-21

NEW AGE ENCLOSURES
2240 South Thornburg Street Santa Maria, CA. 93455
ph. (805) 595-1310 fax (805) 595-1024
www.newageenclosures.com

MINI AA - STANDARD
SXX-302112X-XXX

SIZE A DRAWING NAME 302112_R7_0 SHEET 1 OF 9 REV.DOC 7.0

.060 CLEARANCE
[1,52]



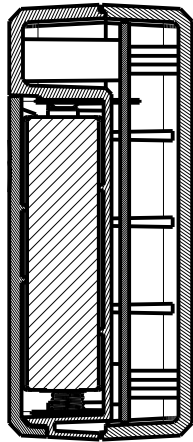
SECTION C-C

3.0°
DRAFT TYP.

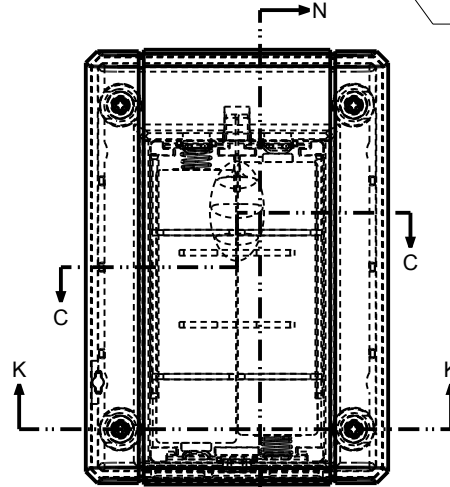
R.195
[4,95]

1.270
[32,26]

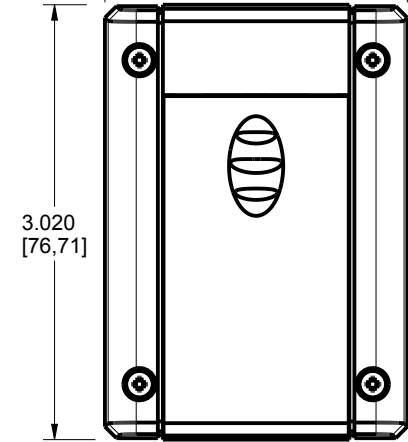
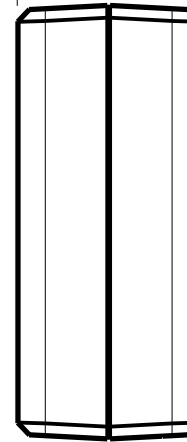
2.100
[53,34]



SECTION N-N

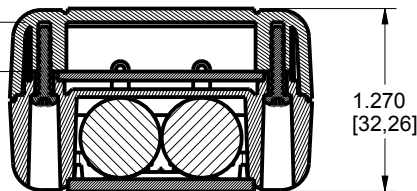


SCALE 0.750



3.020
[76,71]

.343 CLEARANCE
[8,7]



SECTION K-K

1.270
[32,26]

1.295
[32,89]



TOLERANCES: UNLESS OTHERWISE SPECIFIED
DIMENSIONS ARE IN U.S. INCHES.
X.XX = .015 X.XXXX = .001
X.XXX = .010 X.X° = 1°

NEW AGE ENCLOSURES
2240 South Thornburg Street Santa Maria, CA. 93455
ph. (805) 595-1310 fax (805) 595-1024

Customer's Part No: 302112

www.newageenclosures.com

APPROVAL	BY	DATE
CHECK		
ENG.		
SCALE	AS NOTED	

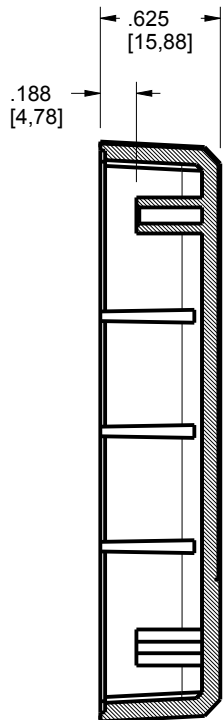
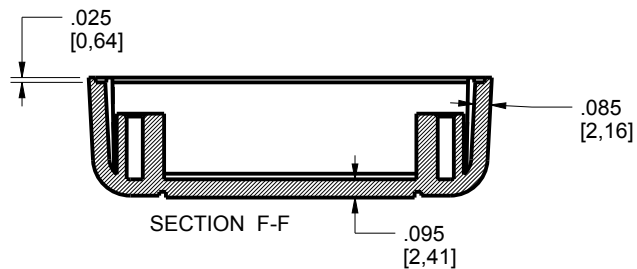
MINI AA - STANDARD
SXX-302112X-XXX

DRAWN BY
M BOYER 2009-Nov-21

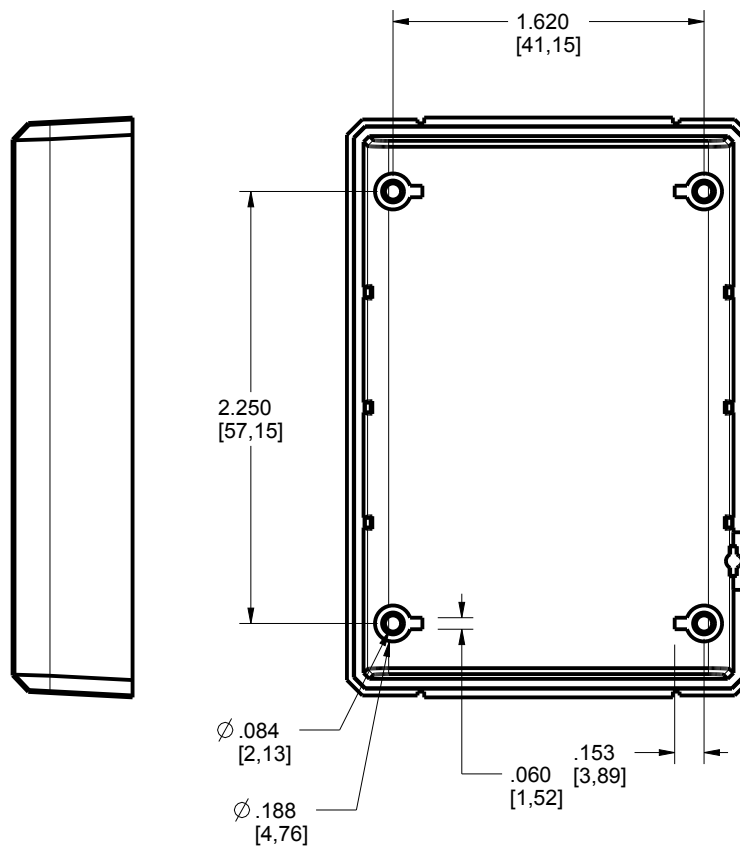
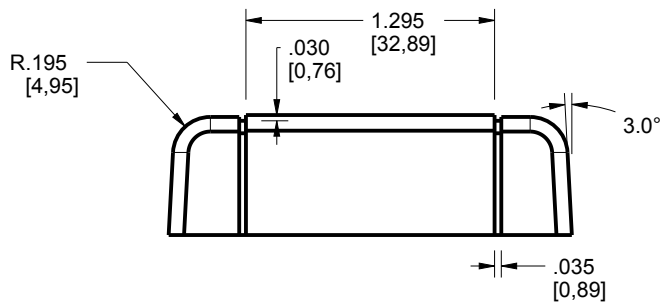
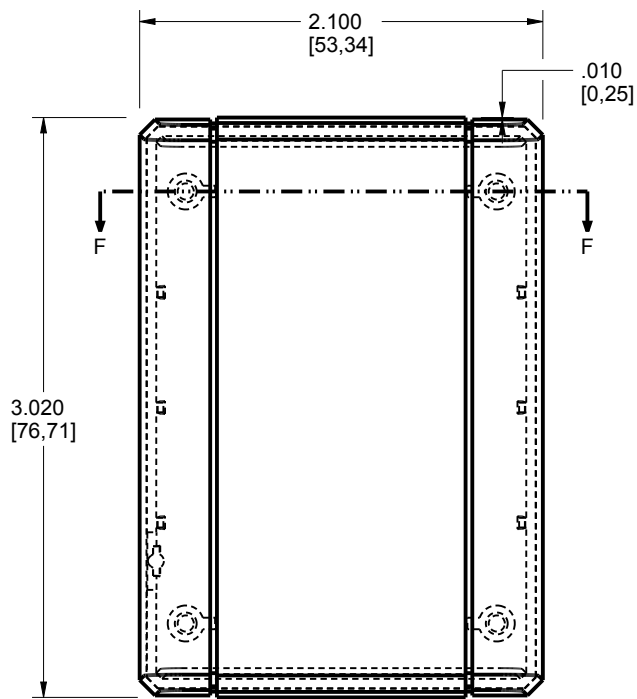
SIZE
A DRAWING NAME
302112_R7_0

SHEET
2 OF 9 REV.DOC
7.0

302112 - COVER



302112 STANDARD SECTION D-D



TOLERANCES: UNLESS OTHERWISE SPECIFIED DIMENSIONS ARE IN U.S. INCHES.
 X.XX = .015 X.XXXX = .001
 X.XXX = .010 X.X° = 1°

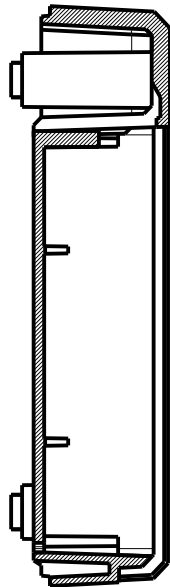
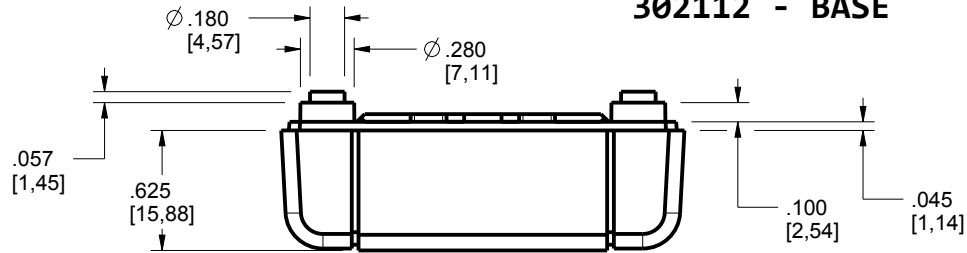
NEW AGE ENCLOSURES
 Customer's Part No: 302112

APPROVAL	BY	DATE
CHECK		
ENG.		
SCALE	AS NOTED	
DRAWN BY	M BOYER	
	2009-Nov-21	

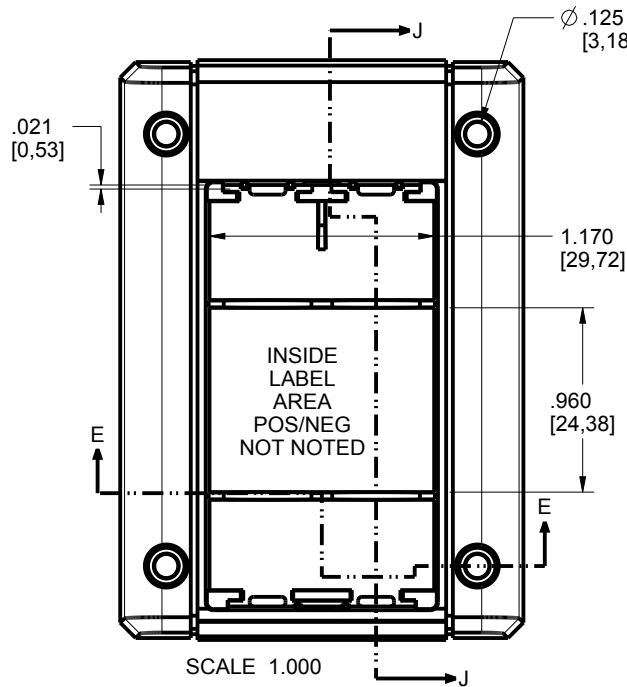
NEW AGE ENCLOSURES
 2240 South Thornburg Street Santa Maria, CA. 93455
 ph. (805) 595-1310 fax (805) 595-1024
www.newageenclosures.com

MINI AA - STANDARD SXX-302112X-XXX		SHEET 3 OF 9	REV.DOC 7.0
SIZE A	DRAWING NAME 302112_R7_0		

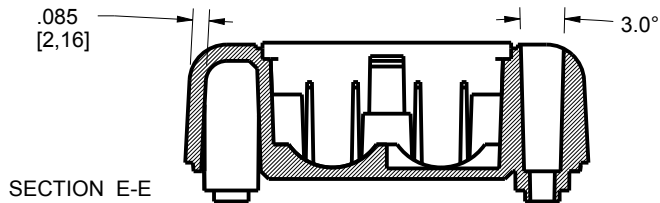
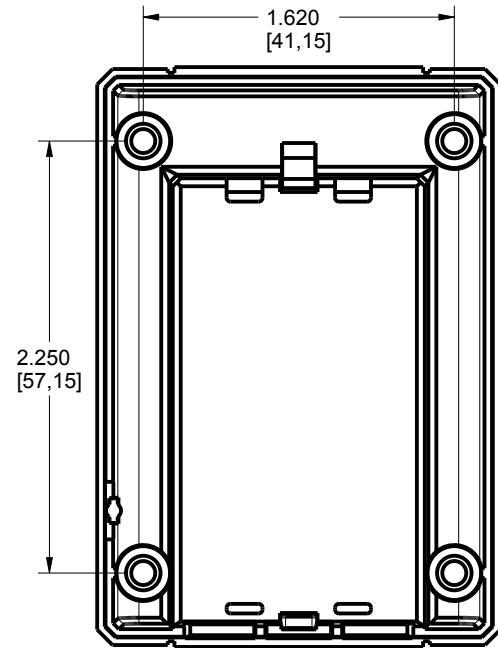
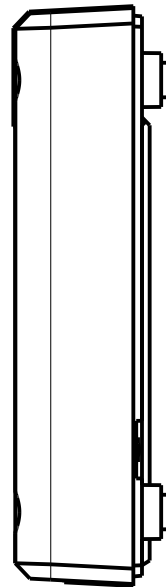
302112 - BASE



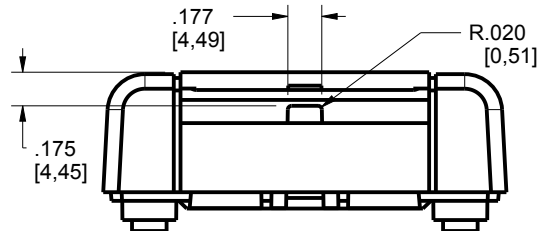
SECTION J-J



SCALE 1.000



SECTION E-E



TOLERANCES: UNLESS OTHERWISE SPECIFIED
DIMENSIONS ARE IN U.S. INCHES.
X.XX = .015 X.XXXX = .001
X.XXX = .010 X.X° = 1°

NEW AGE ENCLOSURES

Customer's Part No: 302112

APPROVAL BY DATE

CHECK

ENG.

SCALE AS NOTED

DRAWN BY M BOYER 2009-Nov-21

NEW AGE ENCLOSURES

2240 South Thornburg Street Santa Maria, CA. 93455
ph. (805) 595-1310 fax (805) 595-1024

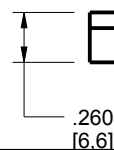
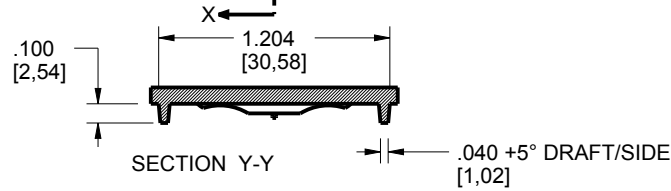
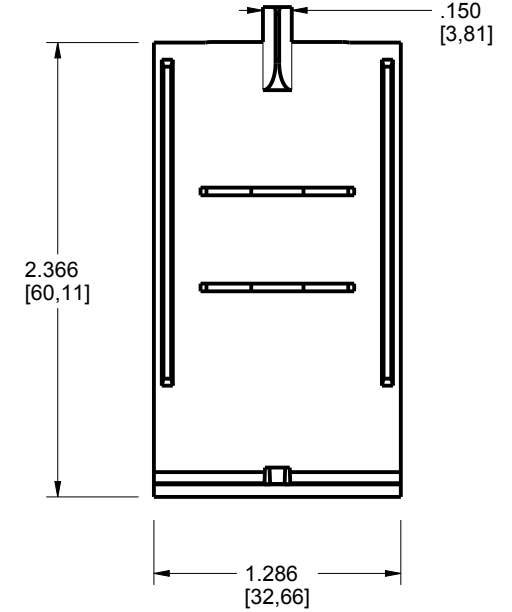
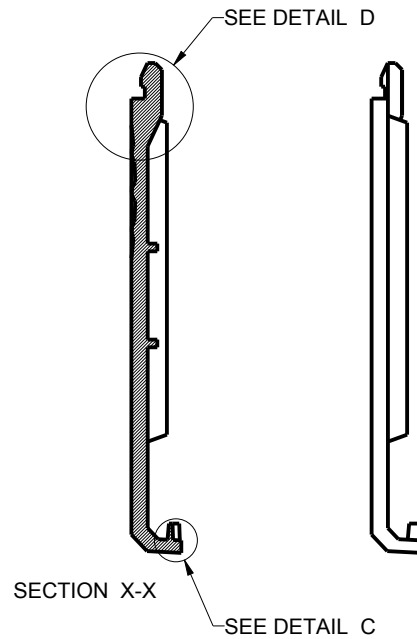
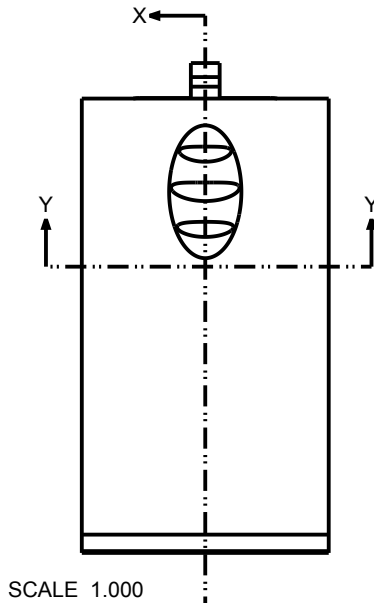
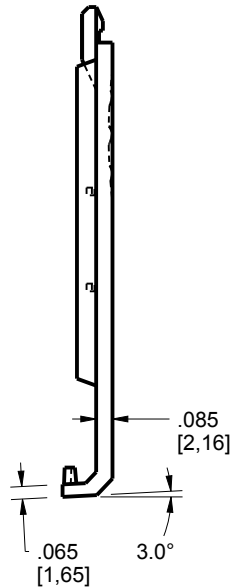
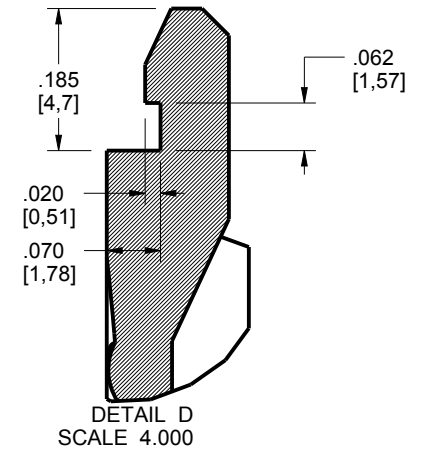
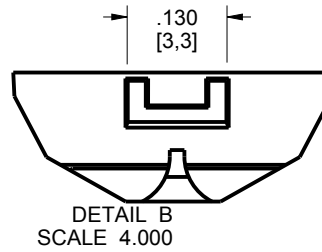
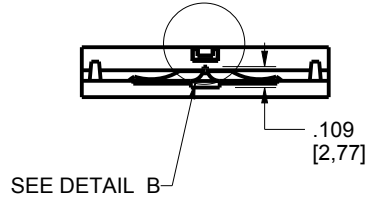
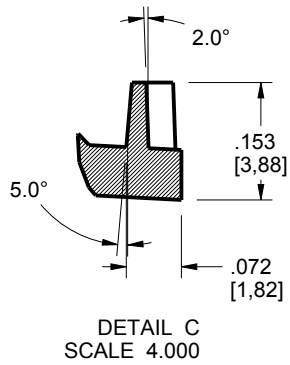
www.newageenclosures.com

MINI AA - STANDARD
SXX-302112X-XXX

SIZE A DRAWING NAME 302112_R7_0

SHEET 4 OF 9 REV.DOC 7.0

302112 - HATCH



TOLERANCES: UNLESS OTHERWISE SPECIFIED
DIMENSIONS ARE IN U.S. INCHES.

X.XX = .015 X.XXXX = .001
X.XXX = .010 X.X° = 1°

NEW AGE ENCLOSURES

Customer's Part No: 302112

APPROVAL BY DATE

CHECK

ENG.

SCALE AS NOTED

DRAWN BY M BOYER 2009-Nov-21

NEW AGE ENCLOSURES

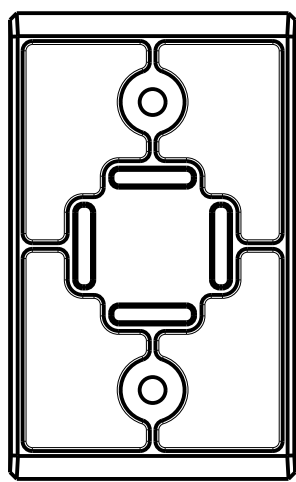
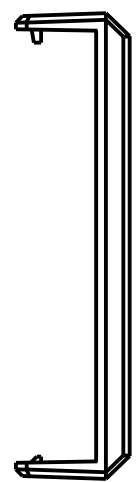
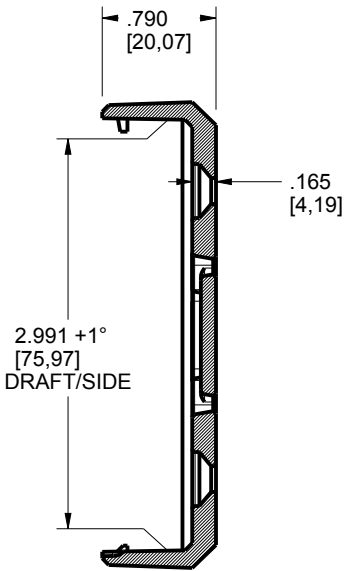
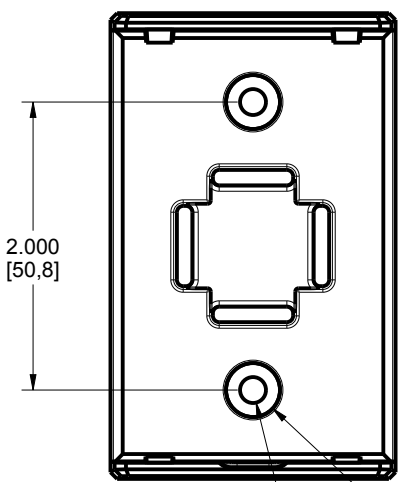
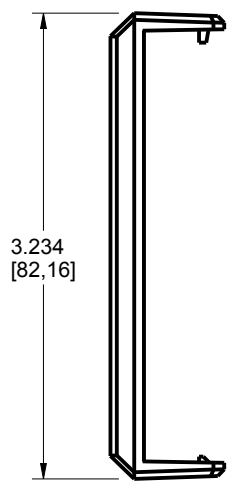
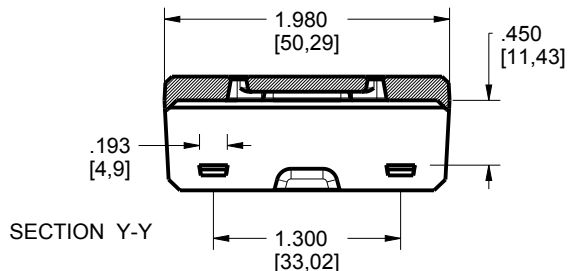
2240 South Thornburg Street Santa Maria, CA. 93455
ph. (805) 595-1310 fax (805) 595-1024

MINI AA - STANDARD
SXX-302112X-XXX

SIZE A DRAWING NAME 302112_R7_0

SHEET 5 OF 9 REV.DOC 7.0

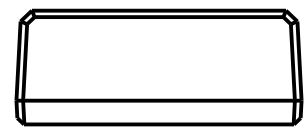
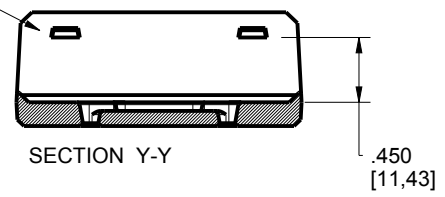
302112 - WALL CRADLE



Ø .180 [4,57]
Ø .374 [9,5]

SCALE 0.750

2nd OPERATION REQUIRED
ON 302112 BASE
TO ACCEPT CRADLE TABS



TOLERANCES - UNLESS OTHERWISE SPECIFIED
DIMENSIONS ARE IN U.S. INCHES.
X.XX = .015 X.XXXX = .001
X.XXX = .010 X.X° = 1°

NEW AGE ENCLOSURES

NEW AGE ENCLOSURES
Customer's Part No: 302112

2240 South Thornburg Street Santa Maria, CA. 93455
ph. (805) 595-1310 fax (805) 595-1024
www.newageenclosures.com

APPROVAL	BY	DATE
CHECK		
ENG.		
SCALE	AS NOTED	

MINI AA - STANDARD
SXX-302112X-XXX

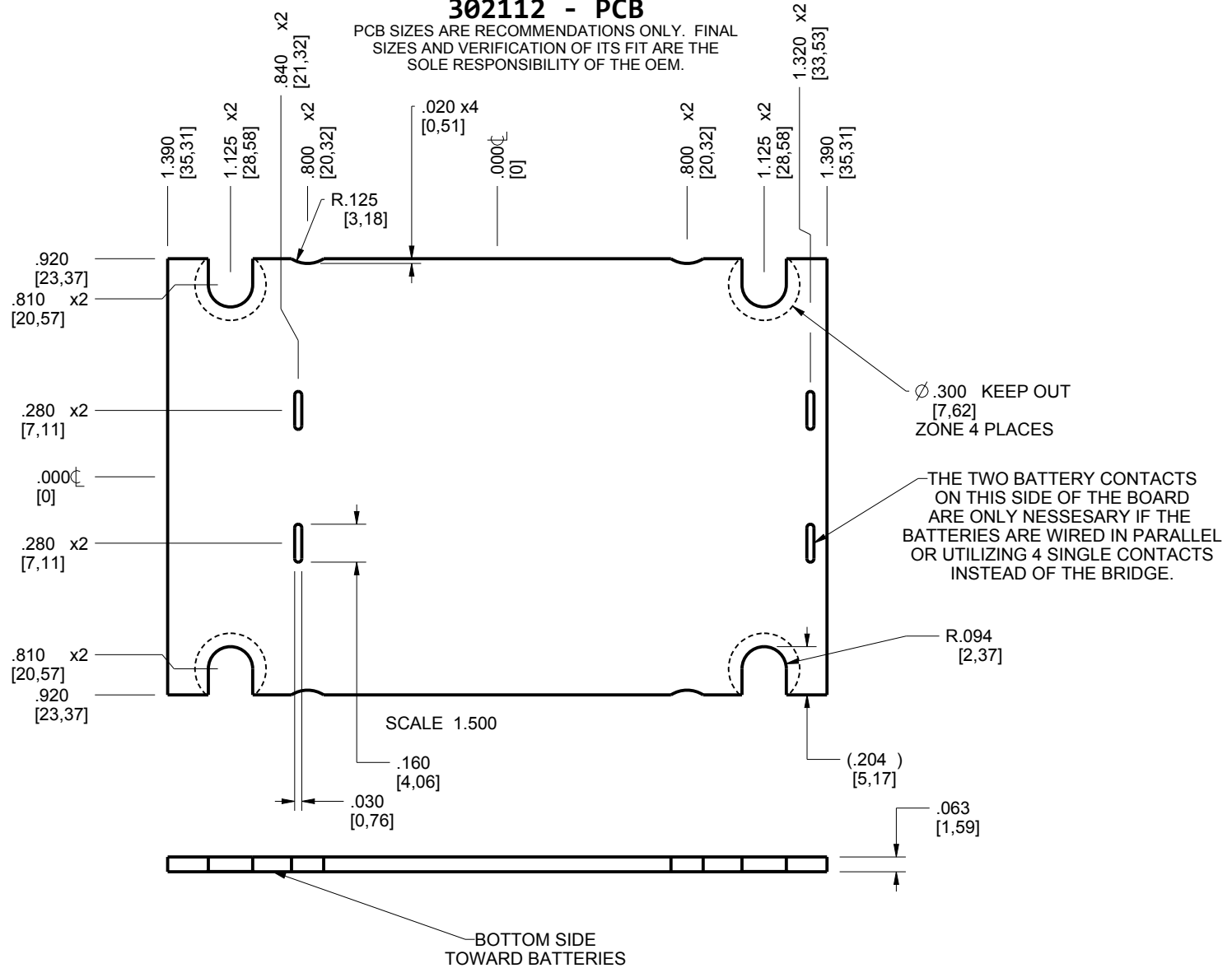
DRAWN BY
M BOYER 2009-Nov-21

SIZE A DRAWING NAME
302112_R7_0

SHEET 6 OF 9 REV.DOC 7.0

302112 - PCB

PCB SIZES ARE RECOMMENDATIONS ONLY. FINAL SIZES AND VERIFICATION OF ITS FIT ARE THE SOLE RESPONSIBILITY OF THE OEM.



TOLERANCES: UNLESS OTHERWISE SPECIFIED DIMENSIONS ARE IN U.S. INCHES.
 X.XX = .015 X.XXXX = .001
 X.XXX = .010 X.X° = 1°

NEW AGE ENCLOSURES
 Customer's Part No: 302112

APPROVAL BY DATE
 CHECK
 ENG.
 SCALE AS NOTED

DRAWN BY M BOYER 2009-Nov-21

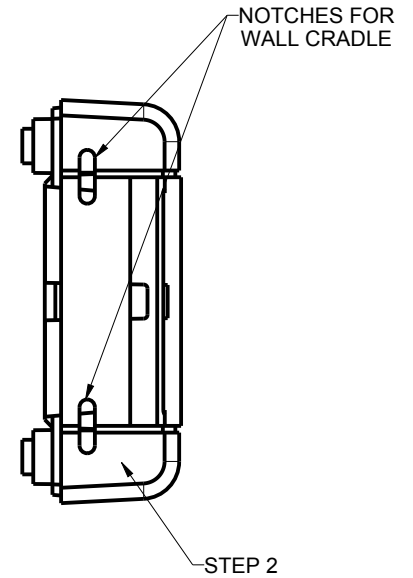
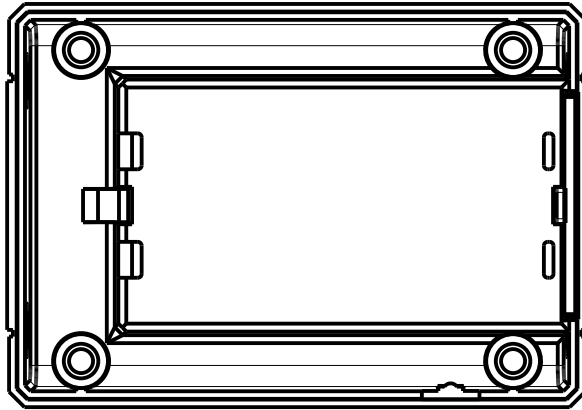
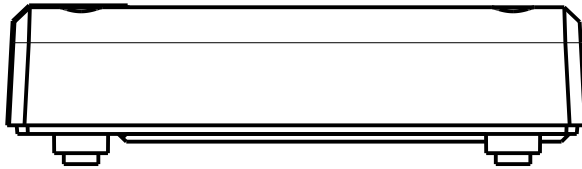
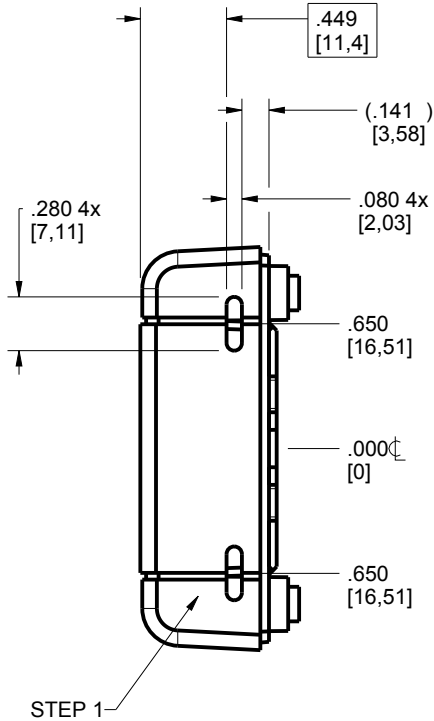
NEW AGE ENCLOSURES
 2240 South Thornburg Street Santa Maria, CA. 93455
 ph. (805) 595-1310 fax (805) 595-1024
www.newageenclosures.com

MINI AA - STANDARD
 SXX-302112X-XXX

SIZE A DRAWING NAME 302112_R7_0 SHEET 7 OF 9 REV.DOC 7.0

2nd OPERATION DETAILS - Page 1 of 2 for Wall Cradle Attachment ONLY

NEW AGE ENCLOSURES DELIVERS YOUR ENCLOSURE MARKET-READY WITH IN-HOUSE
CNC MACHINING, PAD PRINTING, ASSEMBLY, AND FULFILLMENT.
ALL SURFACES AND AREAS ARE AVAILABLE FOR CNC ALTERATION BY NEW AGE ENCLOSURES
CALL (805) 595-1310 FOR PRICING AND SCHEDULE.
THE INSIDE RADIUS OF ANY MACHINED FEATURES SHOULD BE NO SMALLER THAN .031"



SXX-302112X-XXX BASE - ABS, BLACK

STEP NO	DESCRIPTION	CUTTER	FIXTURE	ORIENTATION	PROGRAM
1-C-C1	CRADLE NOTCHES	T2 = .062" EM	193	SINGLE	o6101
2-C-C2	CRADLE NOTCHES	T2 = .062" EM	193	SINGLE	o6101

TOLERANCES: UNLESS OTHERWISE SPECIFIED
DIMENSIONS ARE IN U.S. INCHES.
X.XX = .015 X.XXXX = .001
X.XXX = .010 X.X° = 1°

NEW AGE ENCLOSURES
Customer's Part No: 302112

NEW AGE ENCLOSURES
2240 South Thornburg Street Santa Maria, CA. 93455
ph. (805) 595-1310 fax (805) 595-1024

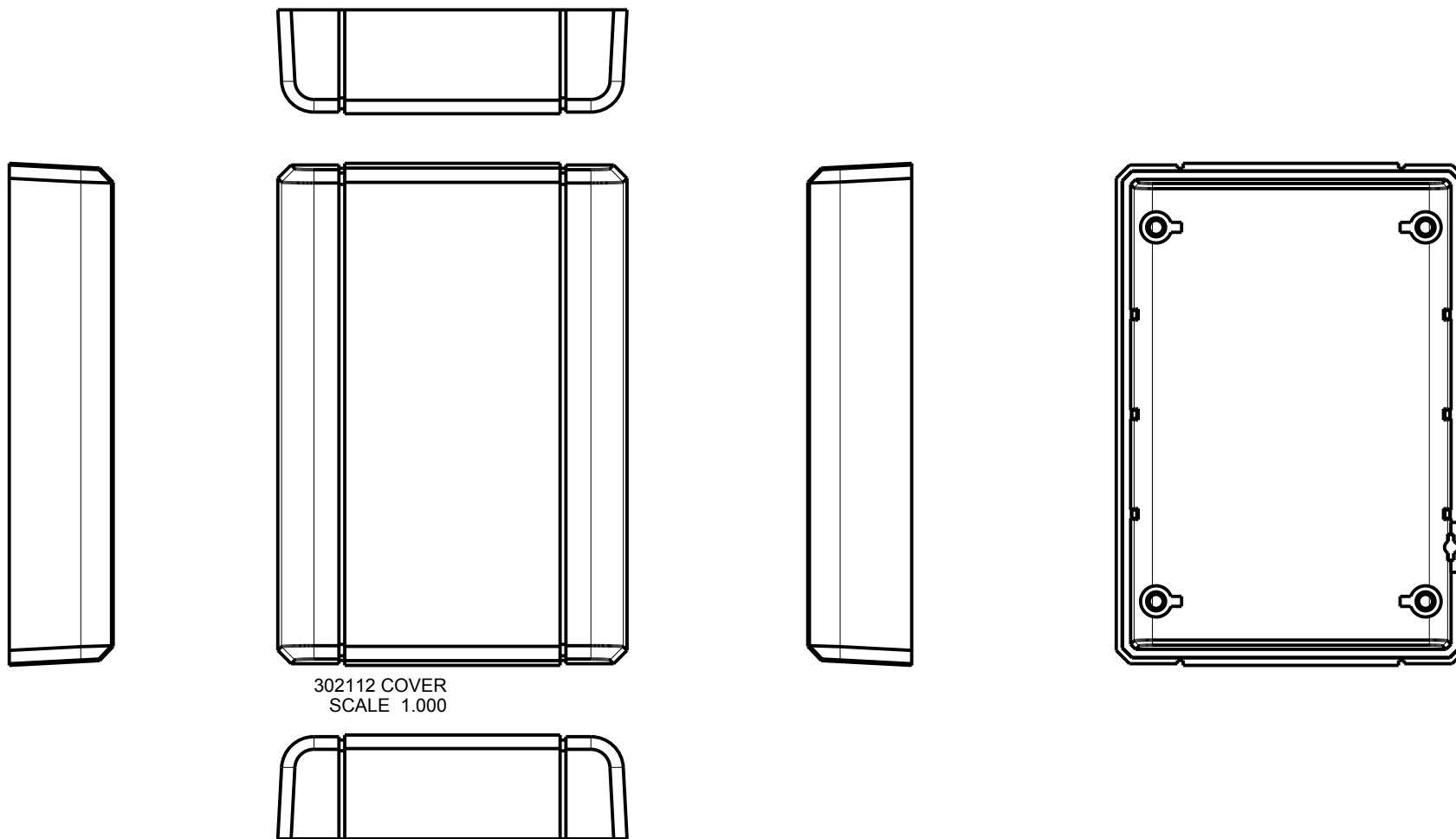
www.newageenclosures.com

APPROVAL	BY	DATE
CHECK		
ENG.		
SCALE	AS NOTED	
DRAWN BY	M BOYER	
	2009-Nov-21	

MINI AA - STANDARD		SHEET	REV.DOC
SXX-302112X-XXX		8 OF 9	7.0
SIZE	DRAWING NAME		
A	302112_R7_0		

2nd OPERATION DETAILS - Page 2 of 2

NEW AGE ENCLOSURES DELIVERS YOUR ENCLOSURE MARKET-READY WITH IN-HOUSE
CNC MACHINING, PAD PRINTING, ASSEMBLY, AND FULFILLMENT.
ALL SURFACES AND AREAS ARE AVAILABLE FOR CNC ALTERATION BY NEW AGE ENCLOSURES
CALL (805) 595-1310 FOR PRICING AND SCHEDULE.
THE INSIDE RADIUS OF ANY MACHINED FEATURES SHOULD BE NO SMALLER THAN .031"



302112 COVER
SCALE 1.000

TOLERANCES: UNLESS OTHERWISE SPECIFIED
DIMENSIONS ARE IN U.S. INCHES.
X.XX = .015 X.XXXX = .001
X.XXX = .010 X.X° = 1°

NEW AGE ENCLOSURES
2240 South Thornburg Street Santa Maria, CA. 93455
ph. (805) 595-1310 fax (805) 595-1024
www.newageenclosures.com

NEW AGE ENCLOSURES
Customer's Part No: 302112

SXX-302112X-XXX COVER - ABS, BLACK

STEP NO	DESCRIPTION	CUTTER	FIXTURE	ORIENTATION	PROGRAM
1-C-C1	-	T2 = .062" EM	193	SINGLE	
2-C-C2	-	T2 = .062" EM	193	-	
3-C-C3	-	T2 = .062" EM	193	-	

APPROVAL	BY	DATE
CHECK		
ENG.		
SCALE	AS NOTED	
DRAWN BY	M BOYER	
	2009-Nov-21	

MINI AA - STANDARD	SHEET	REV.DOC
SXX-302112X-XXX	9 OF 9	7.0
SIZE	DRAWING NAME	
A	302112_R7_0	