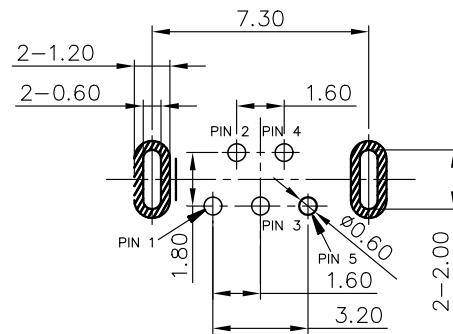
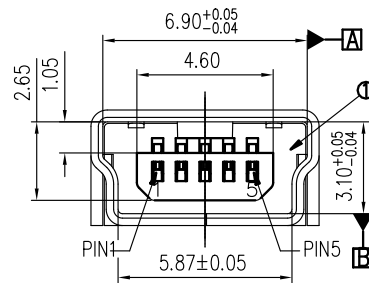
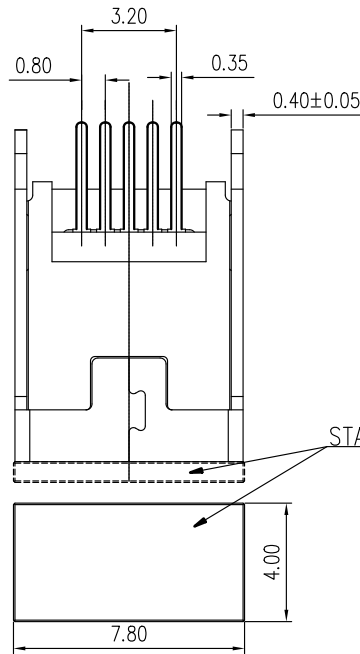
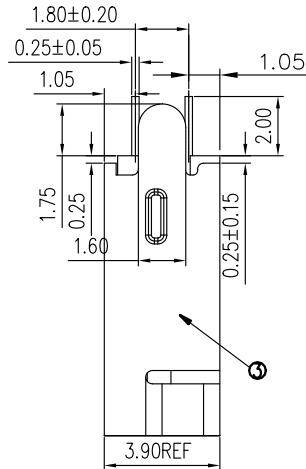
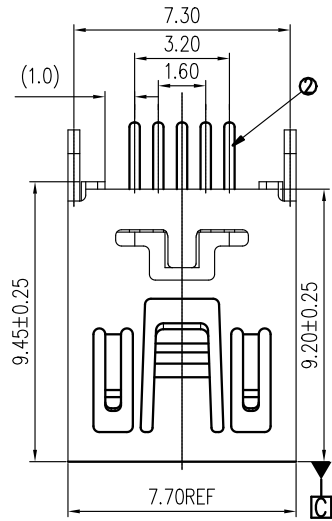
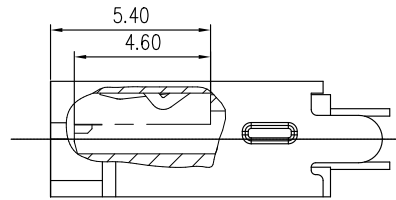
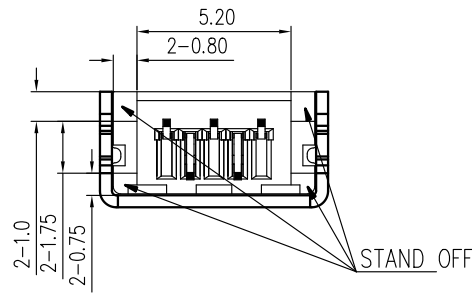


PRODUCT NO.
10119313-*



RECOMMENDED PCB LAYOUT

NOTES:

- 1.MATERIAL:
HOUSING: THERMOPLASTIC, UL 94V-0 RATED. COLOR IN BLACK.
CONTACT: COPPER ALLOY
SHELL: COPPER ALLOY.
- 2.FINISH:
CONTACT:UNDERPLATED 50u"MIN. NICKEL, OVER ALL;
100u" MIN. PURE MATTE TIN PLATED IN SOLDERING AREA;
30u" MIN. GOLD PLATING ON CONTACT AREA.
SHIELD: NICKEL 80u" MIN. PLATED OVER ALL.
3. THE HOUSING WILL WITHSTAND EXPOSURE TO 260 DEGREE C PEAK TEMPERATURE FOR 10 SECONDS IN A IR REFLOW APPLICATION. AND THIS PRODCUT MEETS EUROPEAN UNION DIRECTIVES AND OTHER COUNTRY REGULATIONS AS DESCRIBED IN GS-22-008.
4. PRODUCT SPECIFICATION: GS-12-174; PACKAGING SPECIFICATION: GS-14-873.
5. PRODUCT ORDERING DATA :

FOR LEAD-FREE

10119313 - X X X X LF

- LF: LEAD FREE PLATING
- SHELL MATERIAL:
BLANK:BRASS
1: PHOSPHOR BRONZE
- PACKAGING METHOD:
T: TRAY PACKAGING STYLE.
R: TAPE AND REEL PACKAGING STYLE.
C: TAPE AND REEL WITH CAP
- SHELL PEG OPTION:
1: DIP TYPE, SEE PAGE 1
2: SMT TYPE, SEE PAGE 2
- HSG MATERIAL:
0: LCP
- PLATING IN CONTACT AREA:
3: 30u" MIN. Au .

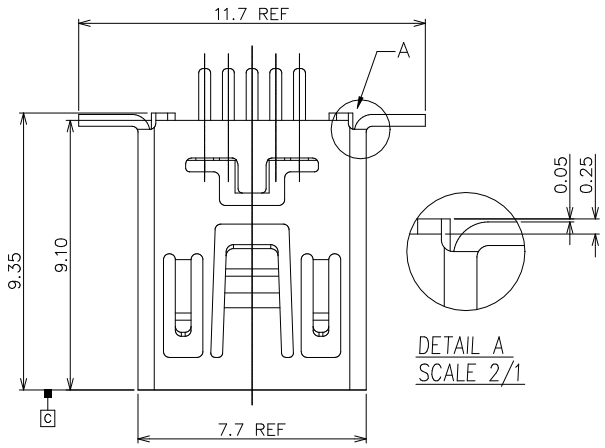
3	SHELL	1	COPPER ALLOY	SEE NOTE 2
2	TERMINAL	5	COPPER ALLOY	SEE NOTE 2
1	HOUSING	1	THERMOPLASTIC	COLOR:BLACK
ITEM	NAMES	QT'Y	MATERIAL	FINISH

mat'l. code		surface	tolerance	projection	product family
ltr ecn no dr date		ISO 1302 ✓	ISO 406 ISO 1101		HPL 511
A - A.ZH 05/03/12		tolerances unless otherwise specified		mm	title
B ELX-N-16102 J.H 10/21/13.		angles	X.X ± 0.30	← mm	MINI USB 5PF VERTICAL TYPE
C ELX-N-17159 LQ 3/10/14		linear	X.XX ± 0.20	scale 1:1	MINI USB B RECEPTACLE
D ELX-N-22660 LQ 12/01/15 dr Yuan-Yuan Bao 2020/12/23		0°±2'	X.XXX ± 0.10		dwg no sheet 1 of 2 size
E ELX-N-30880 LZ 08/02/18 eng Yuan-Yuan Bao 2020/12/23					10119313 A3
F ELX-N-39429-1 YY 12/23/20 chr LQ Lei 2020/12/23					type Product Customer Drawing
F2 WT 3/1/21 appd Tim Yao 2020/12/23					
sheet index	revision	F2			
	sheet	1/2			

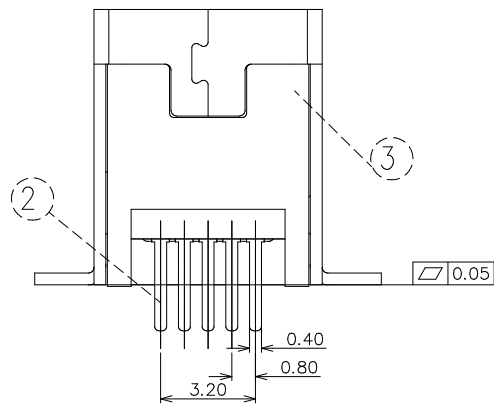
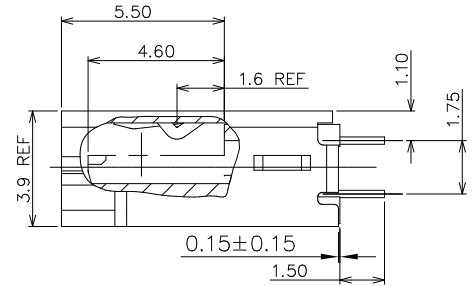
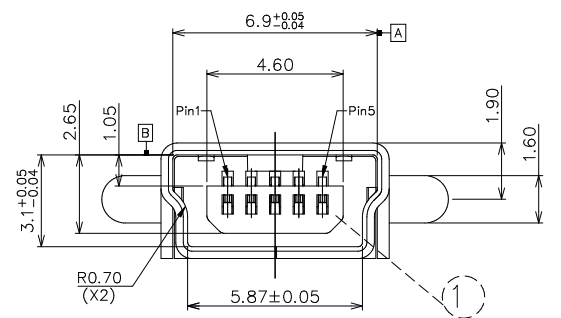
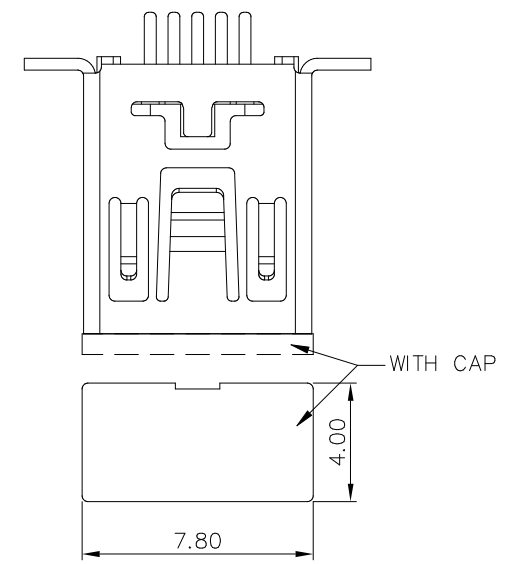
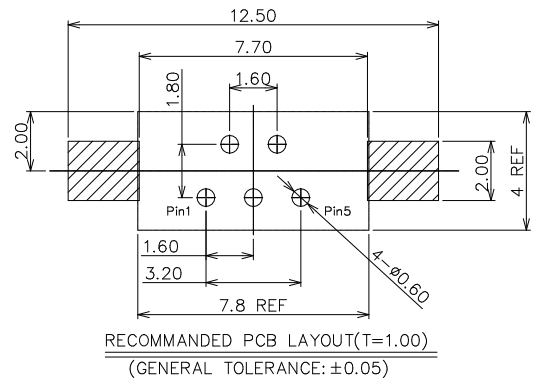
Amphenol FCI

© 2016 AFCI

PRODUCT NO.
10119313-*



DETAIL A
SCALE 2/1



PLEASE SEE PAGE ONE FOR THE NOTES

mat'l. code		surface E4		tolerance		projection		product family	
		ISO 1302 ✓		ISO 406 ISO 1101		ISO 1101		HPL 511	
ltr		ecn no		dr		date		title	
F2								MINI USB 5PF VERTICAL TYPE	
								MINI USB B RECEPTACLE	
								dwg no	
								sheet 2 of 2	
								size	
								A3	
								type	
								Product Customer Drawing	
sheet index		revision		F2					
		sheet		2/2					

Amphenol
FCI

© 2016 AFCI