

GENERAL TOLERANCE

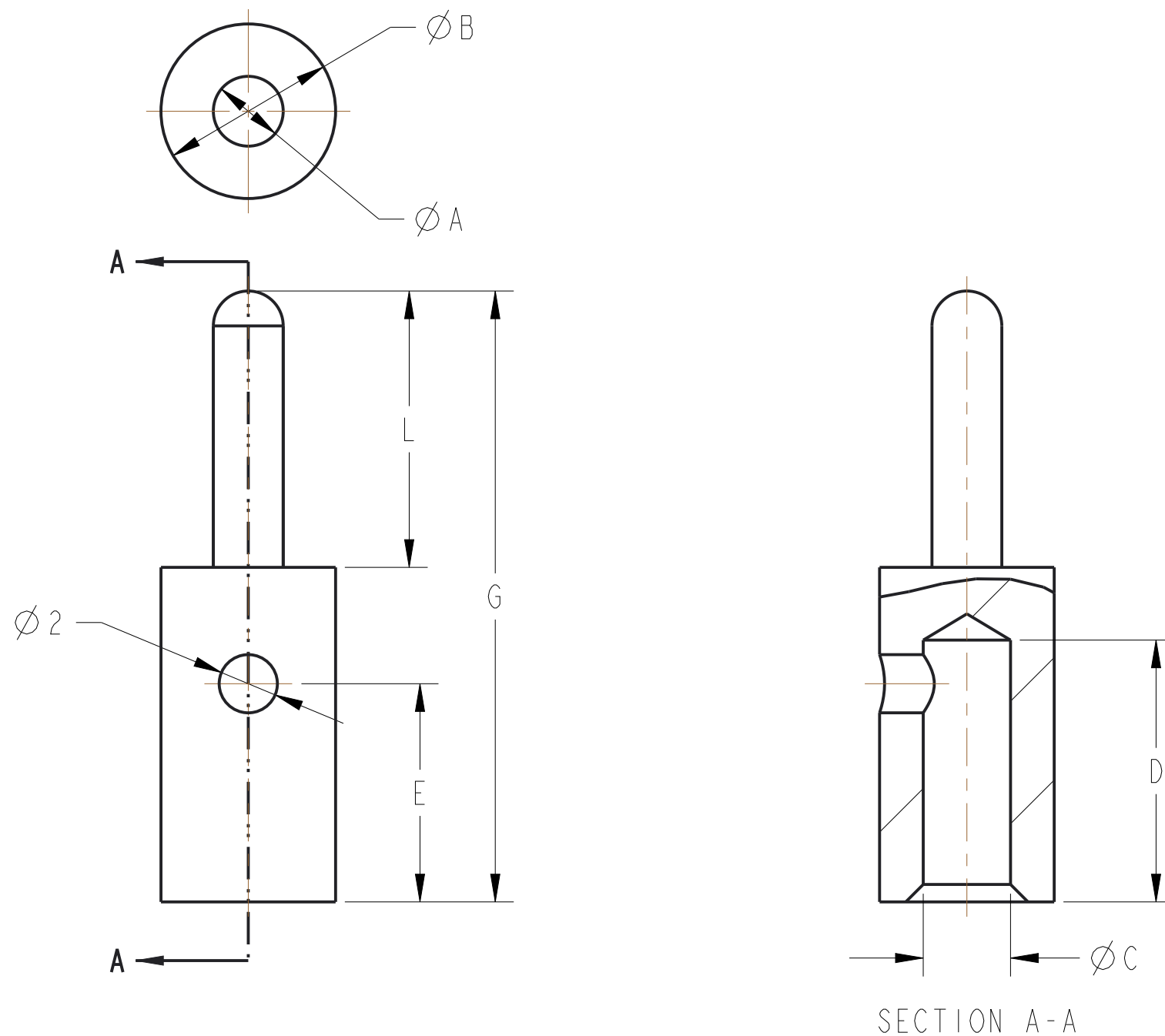
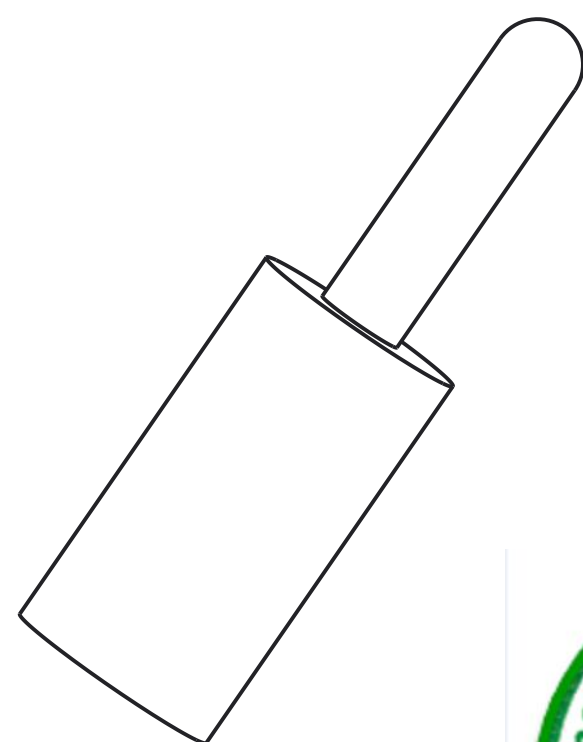
DIM. RANGE	0.5 ~ 3	> 3 ~ 6	> 6 ~ 30	> 30 ~ 120	> 120 ~ 400
TOLERANCE	±0.1	±0.1	±0.2	±0.3	±0.5

CUSTOMER DRAWING

REVISIONS		
REV	DESCRIPTION	DATE
B	UPDATE RATED CURRENT	2016-04-28
C	UPDATE SPEC.	2017-02-17

PART NUMBER	∅A	∅B	∅C	D	L (REFER TO XXX)	E	G (REFER TO L)	RATED CURRENT	RADSOK SIZE	RECOMMENDED WIRE AWG
C10-737413-XXX	∅2.4±0.03	∅6.0	∅3.0	9	EXAMPLE: 9.5	7.5	21.0 REF	35A	ST 2.4MM	12
C10-737414-XXX	∅3.0±0.03	∅7.8	∅4.8	13	EXAMPLE: 13.8	11.5	29.5 REF	60A	ST 3.0MM	8
C10-737415-XXX	∅3.6±0.03	∅7.8	∅4.8	13	EXAMPLE: 15.3	11.5	31.4 REF	70A	ST 3.6MM	8
C10-737416-XXX	∅5.7±0.04	∅9.5	∅6.5	15	EXAMPLE: 17.8	13.5	36.8 REF	120A	ST 5.7MM	4
C10-737417-XXX	∅6.0±0.04	∅9.5	∅6.5	15	EXAMPLE: 24.3	13.5	43.3 REF	150A	ST 6.0MM	4
C10-737418-XXX	∅8.0±0.05	∅13.0	∅10.0	19	EXAMPLE: 24.5	17.5	48.2 REF	200A	ST 8.0MM	1/0

XXX: THE LAST 3 DIGITS(-XXX) OF THE P/N DENOTE THE LENGTH OF THE PIN (DIMENSION L).
 EXAMPLE: USE C10-737413-205 FOR A 20.5MM LONG PIN.



1. THE REFERENCED PRODUCT IS IN COMPLIANCE WITH THE MAXIMUM CONCENTRATION VALUES (MCVS) AS SET BY ROHS 2.0 DIRECTIVE 2011/65/EU AND ANNEX II AMENDMENT DIRECTIVE (EU)2015/863.

NOTES:

THIS DOCUMENT CONTAINS PROPRIETARY INFORMATION AND SUCH INFORMATION MAY NOT BE DISCLOSED TO OTHERS FOR ANY PURPOSE OR USED FOR MANUFACTURING PURPOSES WITHOUT WRITTEN PERMISSION FROM THE AMPHENOL CORP.

N/A	PRO/ENGINEER INFORMATION
NEXT ASSEMBLY	Pro/e Model Used:
METRIC DOCUMENT	Drawing Name:
	C10-737413-737418

UNLESS OTHERWISE SPECIFIED	SPECIFICATIONS	POS	QTY	PART NUMBER	DESCRIPTION	NOTE	
LINEAR DIMENSIONS ARE IN: MILLIMETERS TOLERANCES: ANGLES= ±2° DEFAULT LINEAR TOLERANCES SEE TABLE	MATERIAL SPEC. COPPER				AMPHENOL INDUSTRIAL OPERATIONS Amphenol Technology(Zhuhai)Co.,Ltd No.63, Xingnan Road, Sanzao Town, Jinwan, Zhuhai, PRC		
DIM. & TOL. PER ASME Y14.5M-1994; DRM PER MIL-DTL-31000; OTHER AMPHENOL STANDARDS: 9-9318	PROCESS SPEC. SILVER 150U" MIN OVER NICKEL	APPROVALS	DATE	PREPARED BY: PACEY CHEN ENGINEER IN CHARGE: PACEY CHEN DESIGN MANAGER: ROB WENG DESIGN ACTIVITY GROUP: C&I Feb-17-17		MATING PIN CRIMP TYPE	
LEGENDS: △=FLAG NOTE CALL OUT REFERENCE ONLY	THIRD ANGLE PROJECTION						
		SIZE	CAGE CODE	DOCUMENT NO.	REV.		
		C	77820	C10-7374()-()	C		
		SCALE: 5.0	REF: N/A	SHEET 1 OF 1			

C10-7374()-() SHEET 1 OF 1 C

C10-7374()-() SHEET 1 OF 1 C