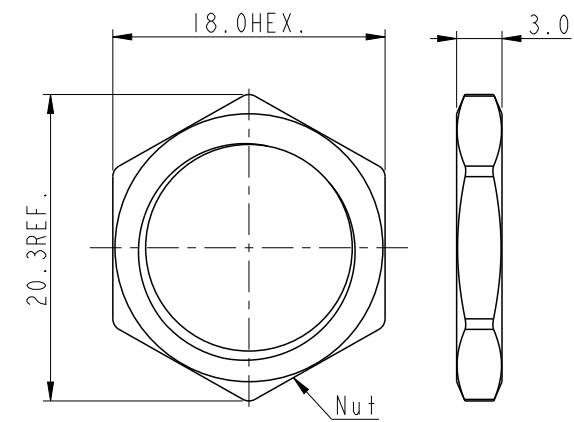
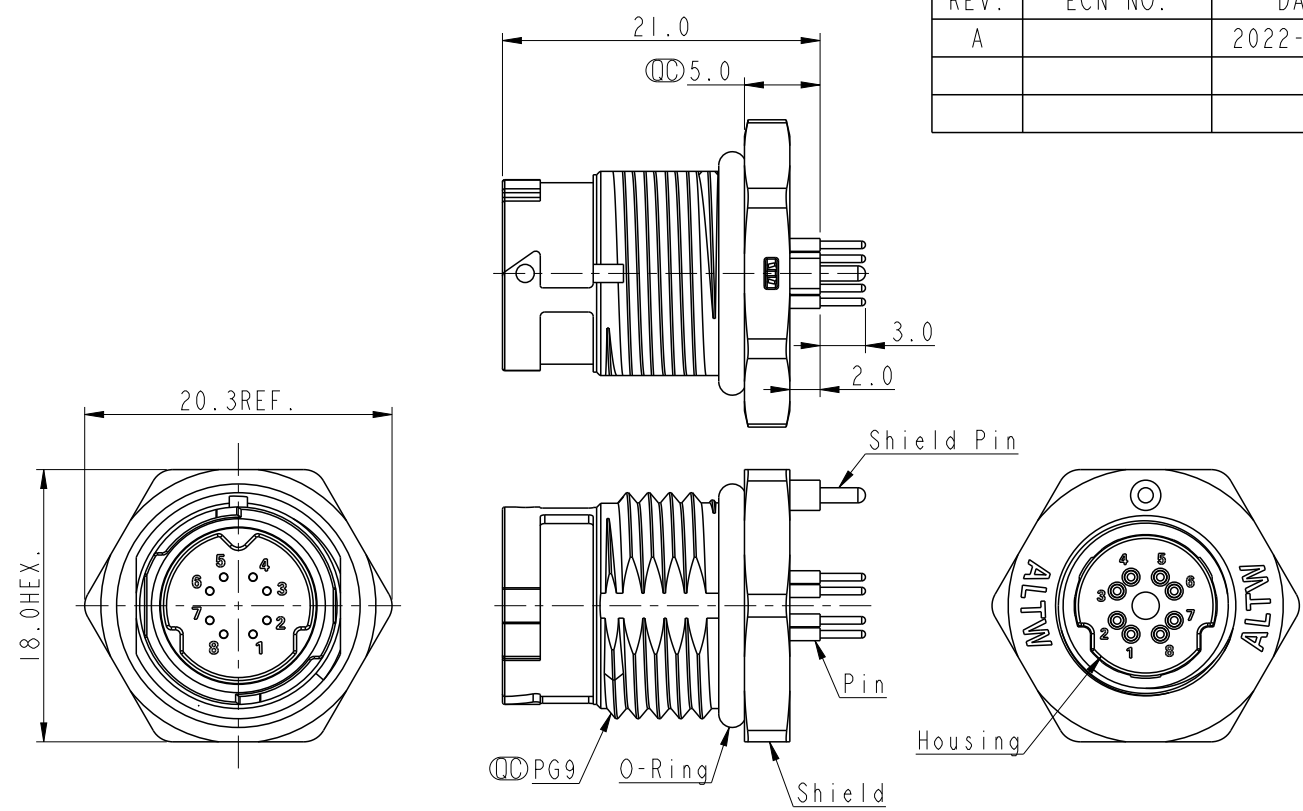


THIS DOCUMENT IS SUBJECT TO CHANGE WITHOUT NOTICE. IT IS CONFIDENTIAL AND A PROPERTY OF AMPHENOL LTW. DISCLOSURE TO THIRD PARTY HAS TO BE AUTHORIZED BY AMPHENOL LTW.

REV.	ECN NO.	DATE	SIGN	DESCRIPTION
A		2022-08-05	Sam Ho	Rev.01 to A, Initial Released

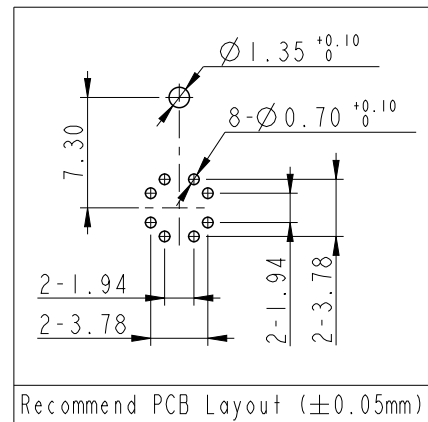
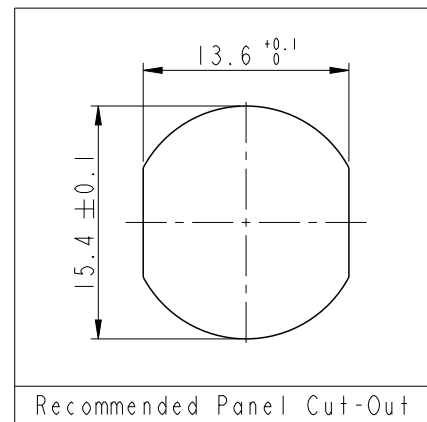


Note:

- * RoHS Compliant
- * \varnothing Important dimension
- * Waterproof rate: IPX8, unmated 1m/24h
- * Housing: Thermoplastic, Black
- * Pin: Copper Alloy, Gold plated
- * Shield Pin: Copper Alloy, Tin plated
- * Shield: Metal
- * Nut: Metal
- * O-Ring: Rubber, Black
- * For panel thickness max: 4.5mm
- * Recommend PCB thickness max: 2.0mm
- * Nut is packed separately in pe bag

ASY-AXXPMPM-QC8001

XX: No. Of Pin



UNIT: mm		TITLE
TOLERANCE	$\pm 0.50\text{mm}$	XLOK, A SHLD-0.5A, A08P, FRONT FASTENED
SCALE	2:1	SIZE
REV.	A	WC-REV.
		\varnothing : Inspection item

Amphenol LTW
安費諾亮泰企業股份有限公司

ITEM NO.	DRAWN BY	DATE
DWG NO.	CHECKED BY	DATE
CUSTOMER	APPROVED BY	DATE

Sam Ho
2022-08-05
Fred Lee
2022-08-05
Fred Lee
2022-08-05
ALTW