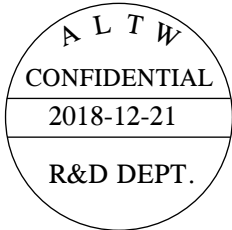
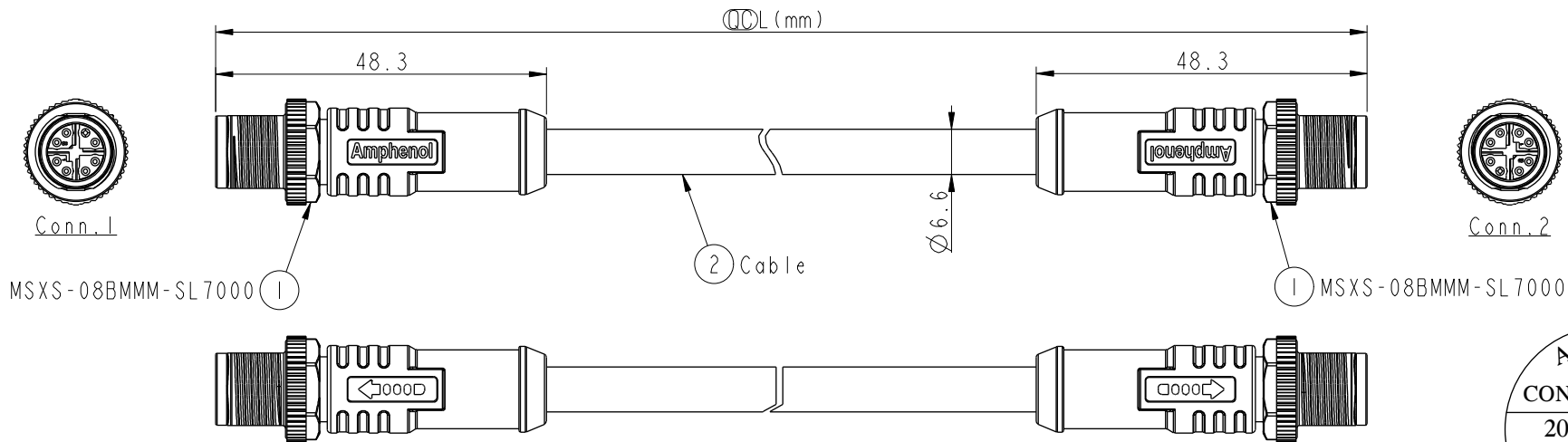
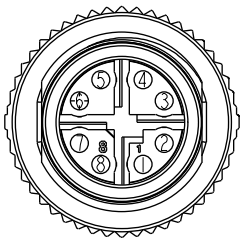


THIS DOCUMENT IS SUBJECT TO CHANGE WITHOUT NOTICE. IT IS CONFIDENTIAL AND A PROPERTY OF Amphenol LTW. DISCLOSURE TO THIRD PARTY HAS TO BE AUTHORIZED BY Amphenol LTW.

REV.	ECN NO.	DATE	SIGN	DESCRIPTION
C	C180009	2018-08-10	Fisher Wang	update drawing
D	C180514	2018-12-04	Vicky	Update note cable length
E	C180642	2018-12-21	Ruru	Modify Drawing Mark Cable Length



- Note:
- \*  $\varnothing$  Important Dimensions To Check
  - \* Waterproof Rate: IP67
  - \* Connector: Nylon+GF, Black
  - \* Pin: Copper Alloy, Gold Plated
  - \* Screw Nut: Zinc Alloy, Nickel Plated
  - \* Shield: Copper Alloy
  - \* Outer Mold: PU, Black
  - \* Cable: Cat6A, 26AWG\*4P+B, LSZH, UV resistant  
OD 6.6mm, Green Jacket.
  - \* Rated Voltage: 50 V AC, 60 V DC
  - \* Rated Current: 0.5A
  - \* Cable length Tolerance: 0.5M±20mm  
01M±40mm  
02M~05M±60mm  
06M~10M±100mm  
11M~30M±200mm  
31M~40M±500mm



Conn.1&2  
Pin Assignment  
Front View

Shield	Braid	Shield
8	Blue 藍	8
7	White/Blue 白/藍	7
6	Brown 棕	6
5	White/Brown 白/棕	5
4	Green 綠	4
3	White/Green 白/綠	3
2	Orange 橙	2
1	White/Orange 白/橙	1
Conn.1	Wire Color	Conn.2
Pin Out		

MSXS08ML-SXSML-SGX $\varnothing$ △

- XXX : 0.5~40 Meters
- A05 : 0.5 Meter
- 001 : 1 Meter
- 002 : 2 Meters
- ...
- 040 : 40 Meters

Cable Length(L):0.5~40Meters

UNIT:mm TOLERANCE ±0.5 mm	TITLE M12 X-code Double Ended		Amphenol LTW 安費諾亮泰企業股份有限公司	ITEM NO	DRAWN BY Ruru	DATE 2018-12-21
	SCALE 1:1	SIZE A4		SHEET 1 OF 1	DWG NO MSXS08ML-SXSML-SGX $\varnothing$	CHECKED BY Rita
REV. E	WC-REV. A.3	$\varnothing$ : Inspection item	CUSTOMER ALTW	APPROVED BY Max	DATE 2018-12-21	