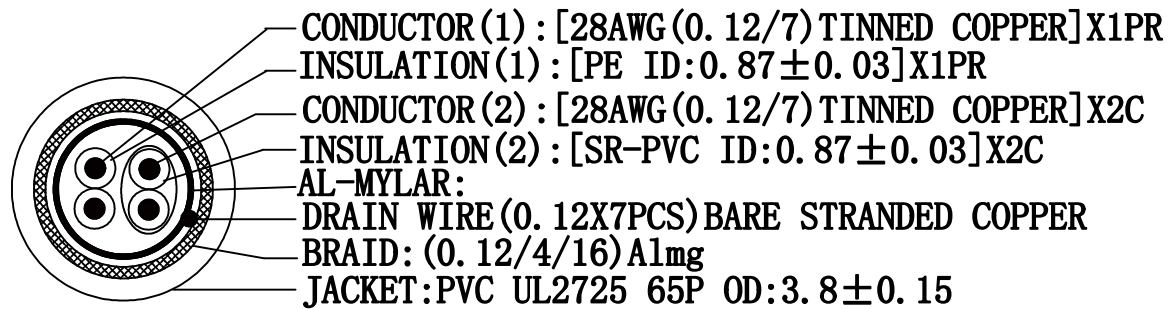
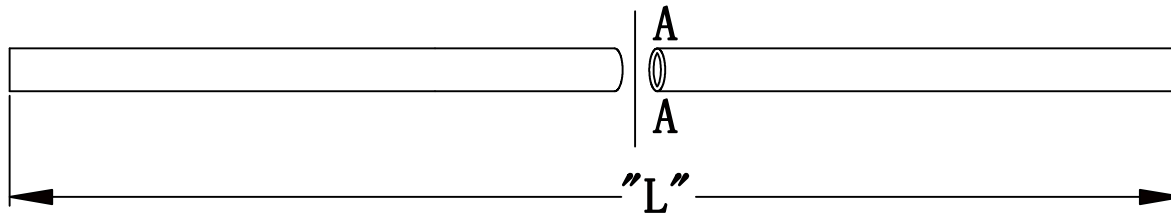


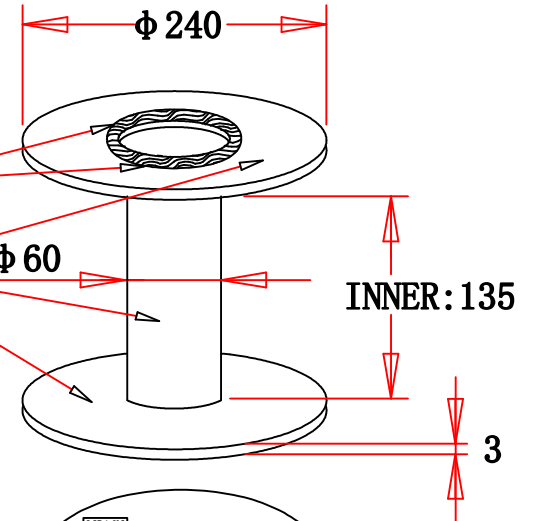
NOTE: ALL MATERIAL COMPLIANT REACH STANDARD

REVISION INFORMATION			
Rev.	Rev. Date	Modified By	Brief Description
A/1	18-09-04	B0904A	Modification of Groundwire
A/2	18-10-25	B1024A	Modify stickers
A/3	19-03-25	B0325A	Modification of Braided

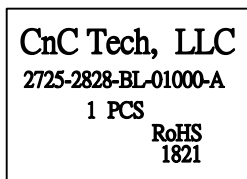


PLASTIC

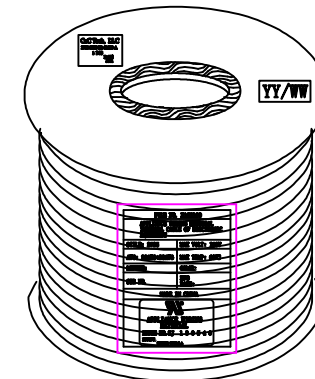
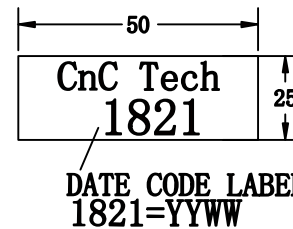
PAPER



CABLE WHITE PRINT
E166160 AWM 2725 80°C 30V
28AWGX1P+28AWGX2C USB2.0



P/N label



305M/R. "PE"FOAM WRAPPED

Parts number label:50X25mm stick on the reel


PART NO	WIRE LENGTH L	CABLE COLOR	INTERNAL COLOR CODE
2725-2828-BL-01000-A	305M/R		BLACK

CnC Tech, LLC			
Industrial Cable and Connector Technology			
DRAWN BY:	DATE: 2019/03/25	DESCRIPTION: 305M/R UL2725 4C CABLE	
CHECKED BY:	SHEET 1 of 2	ITEM NO. 2725-2828-BL-01000-A	
APPROVED BY:	SCALE 1:1	REV. A/3	UNIT: mm

NOTE: ALL MATERIAL COMPLIANT REACH STANDARD

90		100
FILE NO. E166160		
APPLIANCE WIRING MATERIAL INTERNAL CABLE OF ELECTRONIC EQUIPMENT		
STYLE: 2725	MAX VOLT: 30V	
AWG: 28AWG+28AWG	MAX TEMP: 80°C	
LENGTH:	COLOR:	
SER NO.	MFG DATE:	
MADE IN CHINA		

UL identification code

	28
APPLIANCE WIRING MATERIAL	
ISSUE NO. SJ 1 3 0 5 4 0 1000FT.	
<small>PRINTED IN U.S.A.</small>	
44	

UL LABEL

<h1 style="margin: 0;">CnC Tech, LLC</h1> <p style="margin: 0;">Industrial Cable and Connector Technology</p>			
DRAWN BY:	DATE: 2019/03/25	DESCRIPTION: 305M/R UL2725 4C CABLE	
CHECKED BY:	SHEET 2 of 2	ITEM NO. 2725-2828-BL-01000-A	
APPROVED BY:	SCALE 1:1	REV. A/3	UNIT: mm 