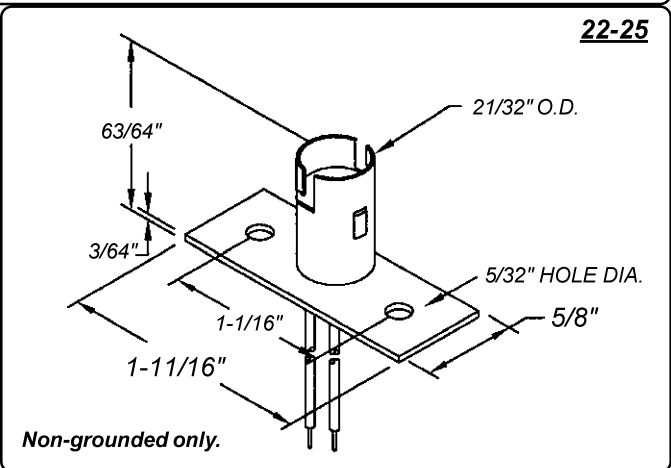
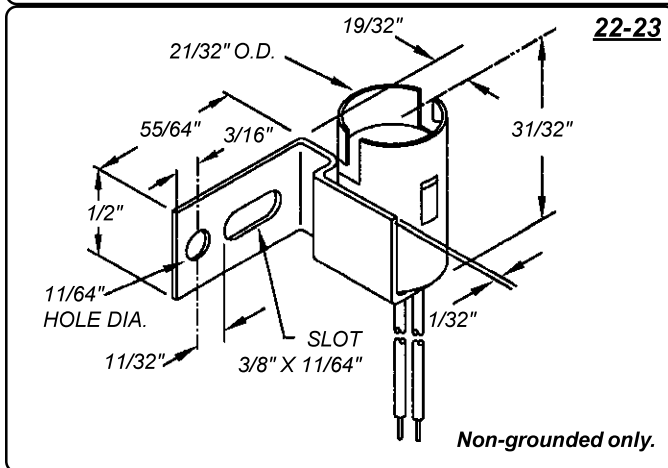
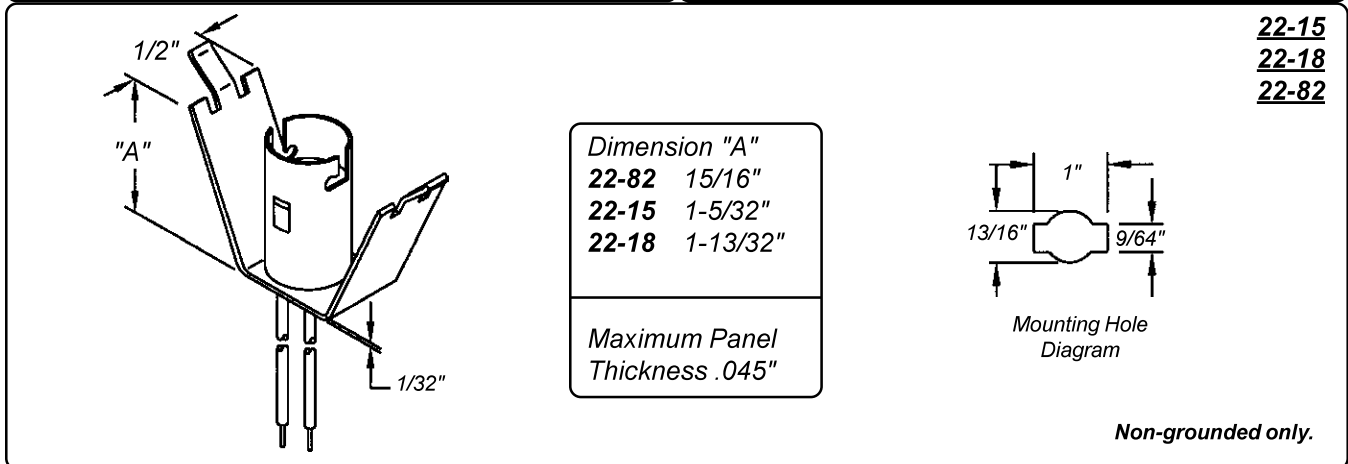
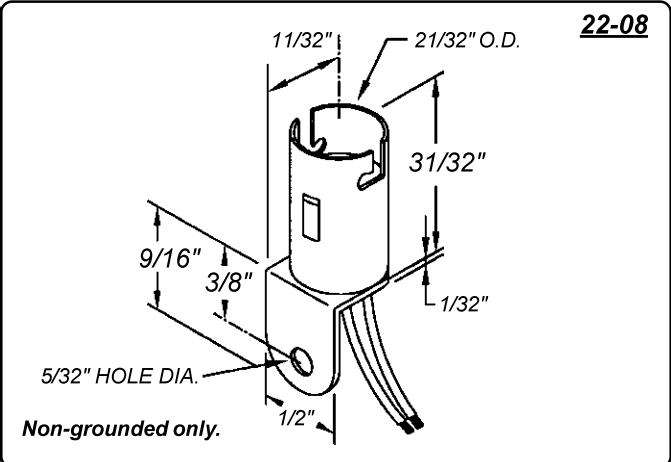
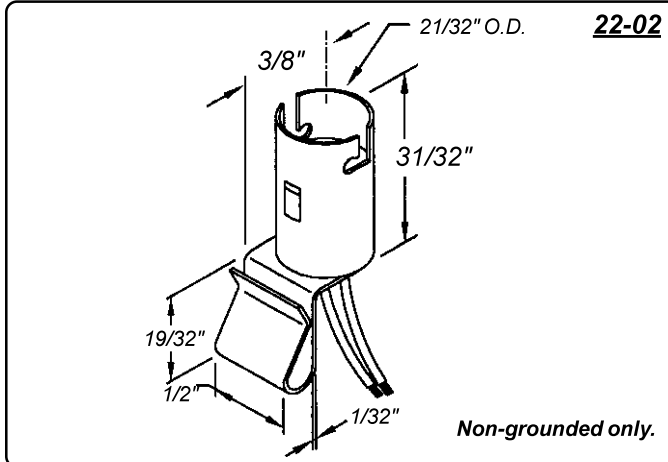


Halogen Cycle Candelabra Double Contact Bayonet

22 SERIES

UL Recognized • Non-Grounded
Maximum Rating: 500 Watts, 125 Volts

Nickel Plated Steel Shell
Nickel Plated Brass Contacts
6" Wire Leads

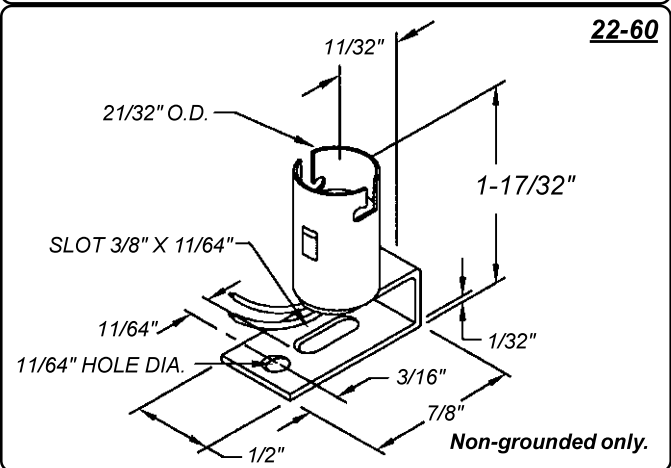
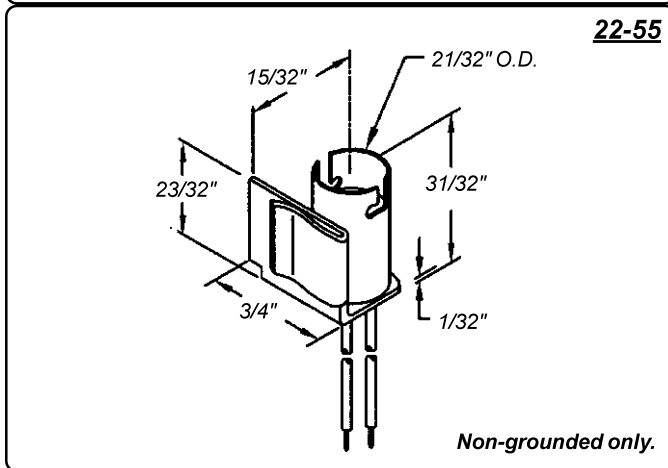
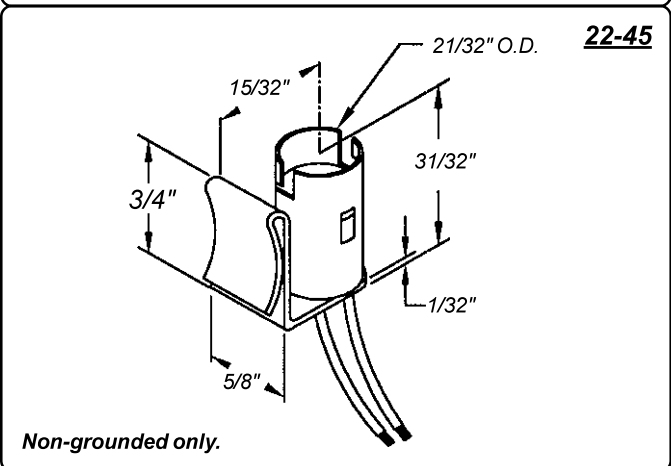
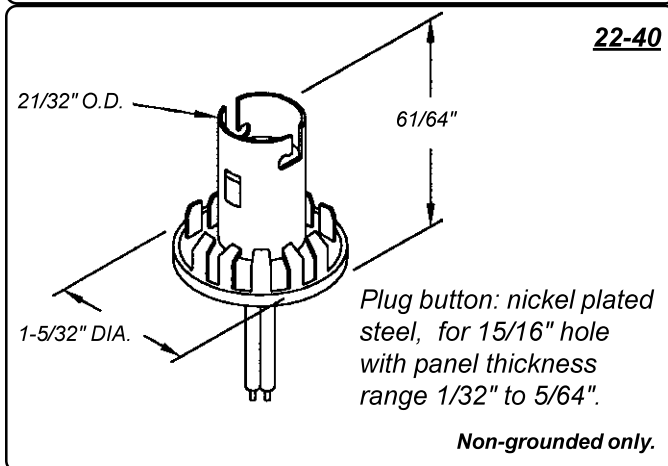
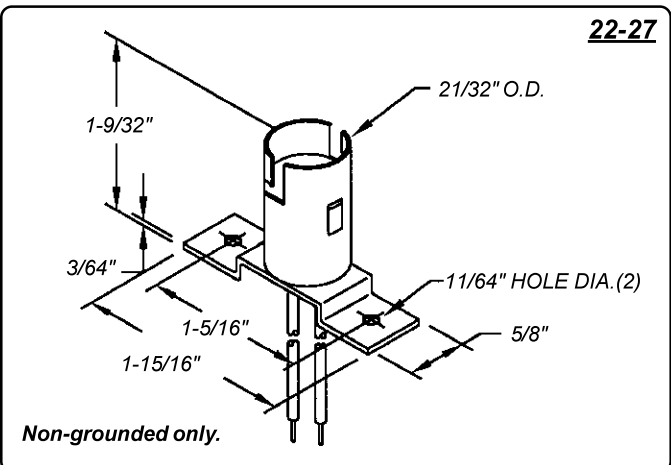
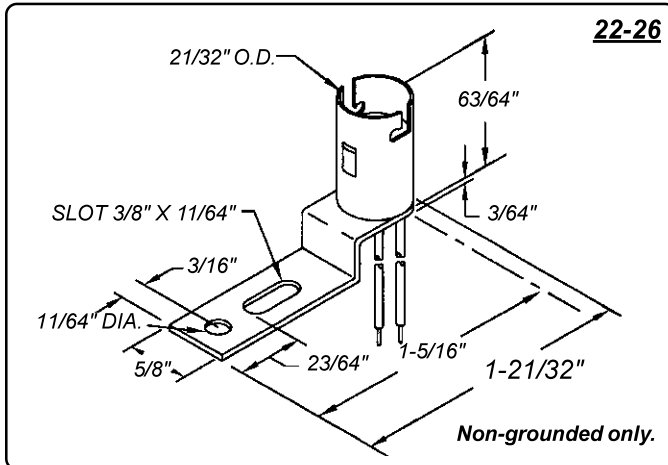


Halogen Cycle Candelabra Double Contact Bayonet

22 SERIES

UL Recognized • Non-Grounded
Maximum Rating: 500 Watts, 125 Volts

Nickel Plated Steel Shell
Nickel Plated Brass Contacts
6" Wire Leads

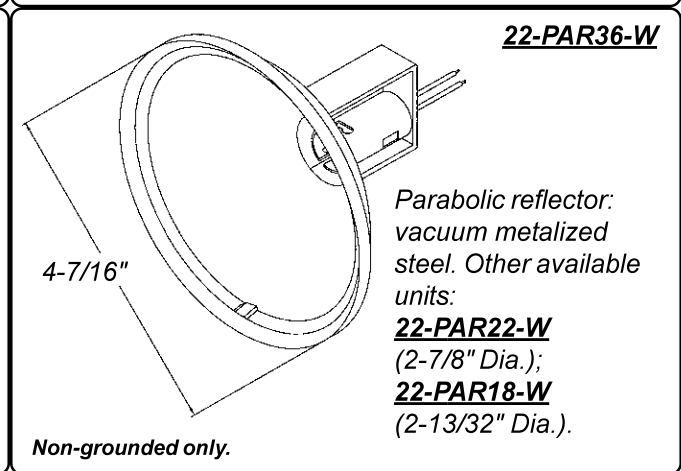
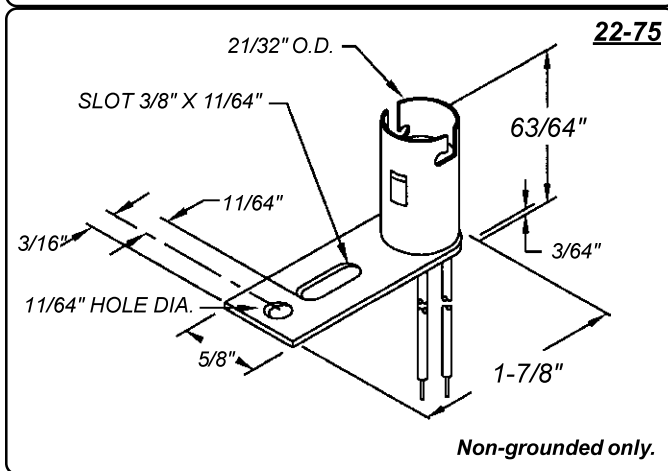
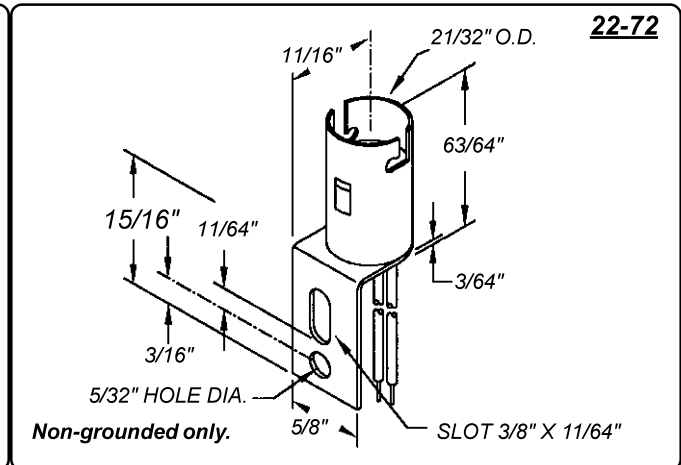
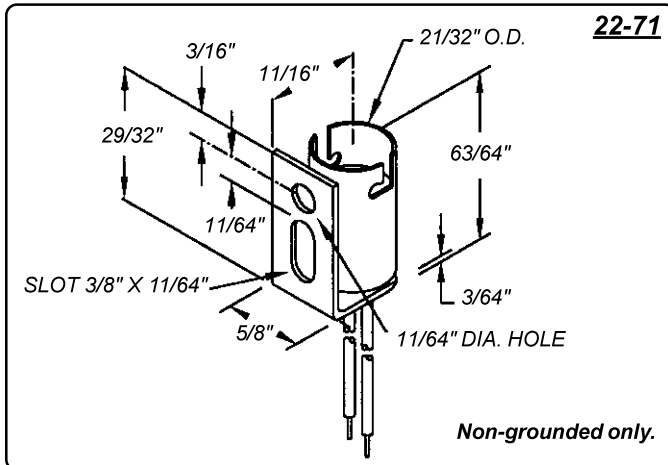


Halogen Cycle Candelabra Double Contact Bayonet

22 SERIES

UL Recognized • Non-Grounded
Maximum Rating: 500 Watts, 125 Volts

Nickel Plated Steel Shell
Nickel Plated Brass Contacts
6" Wire Leads



Can't find it here? We have many more standard and custom solutions

The items in this product sheets are only a small representative sample of the complete VCC product line. We manufacture many additional products which are not shown in this product sheet due to space constraints.

Custom products can also be designed uniquely for you by our Technical Support Professionals. Starting from your ideas and specifications, we work with your personnel to develop timely and cost effective solutions for your miniature lighting needs.

VCC Technical Support Services are provided without charge and may include designs, prototypes and pre-production samples.

For further information, phone Customer Service at 800.522.5546.