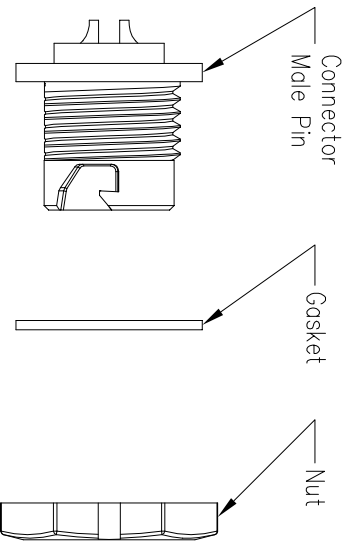
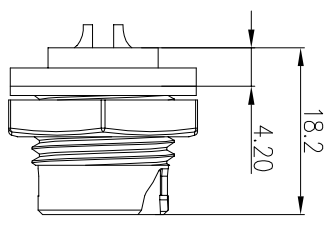
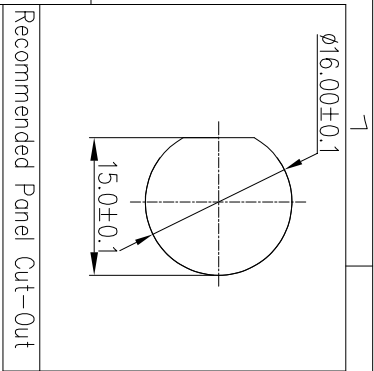
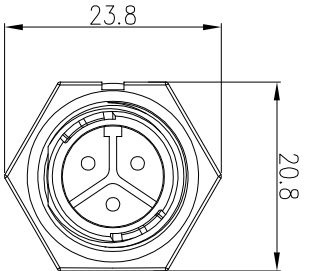
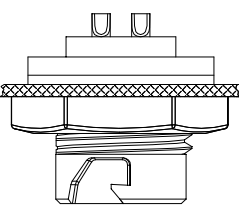


REV.	EN. NO.	DESCRIPTION	SIGN	DATE
C1	N/A	INITIAL DRAWING	Liu	2019/08/13

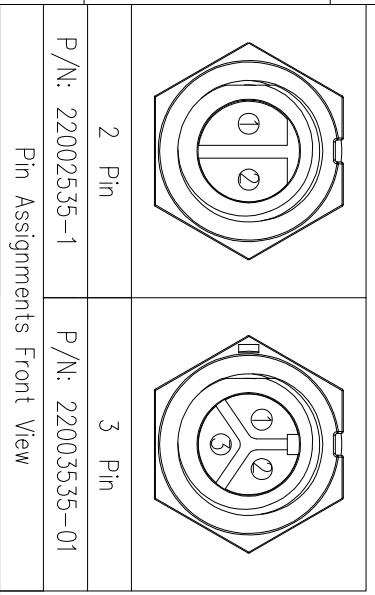


Panel T: Max 3.0

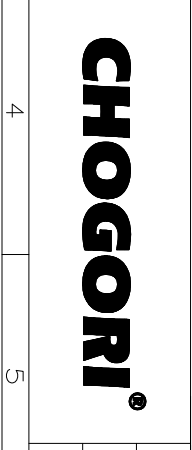


- Specification:
1. Operation Temperature:  $-45^{\circ}\text{C} \sim 105^{\circ}\text{C}$ .
  2. Insulation Resistance:  $100\text{M}\Omega$  at DC500V.
  3. Contact Resistance:  $<10\text{m}\Omega$ .
  4. Withstand Voltage: 2000V AC
  5. Operating Current: 10A
  6. Operating Voltage: AC 300V
  7. Waterproof Rate: IP67 (Mated)
  8. Housing: Nylon, Black
  9. Male Pin: Copper Alloy, Gold Plated
  10. Gasket: Silicon Gray
  11. Panel Nut: Nylon, Orange
  12. Torque Rate:  $0.8 \sim 1.0\text{N} \cdot \text{m}$
  13. RoHS Compliant.
  14. UL Compliant.
  15. Mating Cap P/N: 806-00053-00

22XXXX535-01  
Pin Number



UNIT: mm	DESCRIPTION	
TOLERANCE	Standard Series Push Lock	
.X	Front Mount With Male Pin	
.XX	SCALE: 1:1	SHEET 1 OF 1
.XXX	REV: C1	SIZE: A4
ANGLES	* : Inspection Item	



PART NO	22XXXX535-01	DRAWN BY	Liu	DATE	2019/08/13
DWG NO		CHECKED BY	Mo	DATE	2019/08/13
CUSTOMER		APPROVED BY	Ponson	DATE	2019/08/13