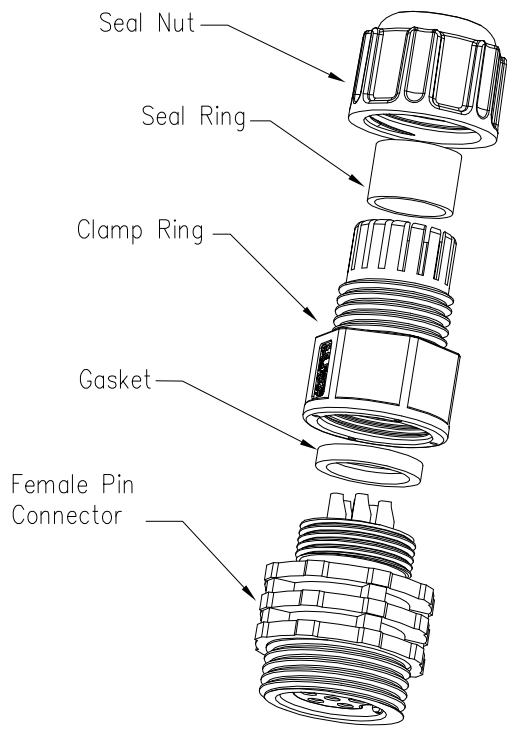
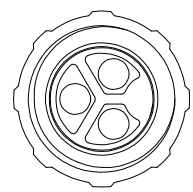
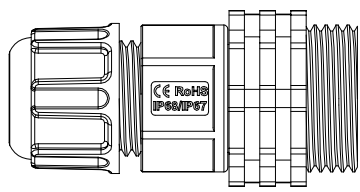
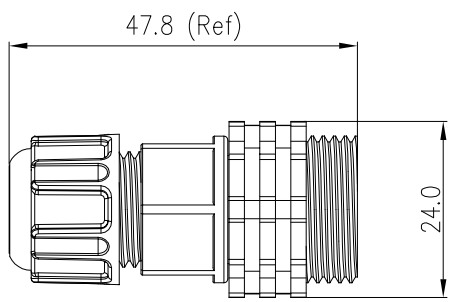


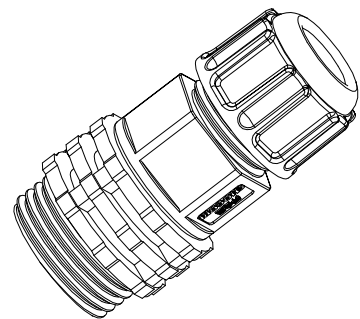
REV.	ECN NO.	DESCRIPTION	SIGN	DATE
C1	N/A	INITIAL DRAWING	Liu	2019/08/13



- Specification:
- 1.Operation Temperature: -45°C~105°C.
 - 2.Insulation Resistance:100MΩ at DC500V.
 - 3.Contact Resistance:<10mΩ.
 - 4.Withstand Voltage: 2000V AC
 - 5.Operating Current:20A
 - 6.Operating Voltage:AC 300V
 - 7.Waterproof Rate:IP67 (Mated)
 - 8.Seal Nut:Nylon, Black
 - 9.Seal Ring:Silicon, Black.
 - 10.Clamp Ring:Nylon, Black
 - 11.Gasket:Silicon, Red
 - 12.Female Pin:Copper Alloy, Gold Plated
 - 13.Connector:Nylon+GF, Black
 - 14.RoHS Compliant.
 - 15.UL Compliant.
 - 16.Mating Cap: 806-00052-00

23XXX411-XX Cable Range OD
 01 OD: φ3.5mm~φ6.5mm
 02 OD: φ6.5mm~φ9.5mm
 Pin Number

2 Pin	3 Pin
P/N: 23002411-XX	P/N: 23003411-XX
Pin Assignments Front View	



UNIT: mm		DESCRIPTION Middle Series Screw Female Plug With Female Pin
TOLERANCE .X ±0.25 .XX ±0.15 .XXX ±0.05 ANGLES ±1°	SCALE: 1:1	SHEET 1 OF 1
REV. C1	SIZE A4	* : Inspection Item



PART NO	23XXX411-XX	DRAWN BY	Liu	DATE	2019/08/13
DWG NO		CHECKED BY	Mo	DATE	2019/08/13
CUSTOMER		APPROVED BY	Panson	DATE	2019/08/13

THIS INFORMATION IS CONFIDENTIAL AND IS DISCLOSED TO YOU ON CONDITION THAT NO FURTHER DISCLOSURE IS MADE BY YOU TO OTHER THAN CHOGORI PERSONNEL WITHOUT AUTHORIZATION FROM CHOGORI CORP.