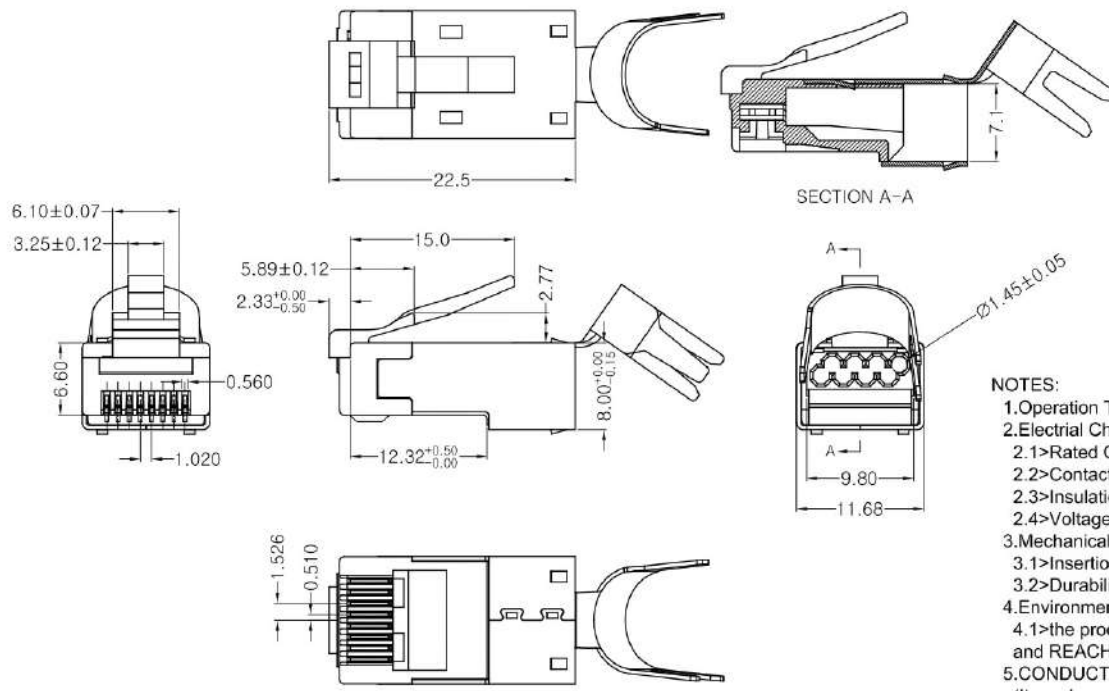


NOTE: ALL MATERIAL COMPLIANT ROHS STANDARD

| REVISION INFORMATION | | | |
|----------------------|-----------|-------------|-------------------|
| Rev. | Rev. Date | Modified By | Brief Description |
| | | | |



- NOTES:**
1. Operation Temperature: -40°C ~ +85°C.
 2. Electrical Characteristics:
 - 2.1 > Rated Current: 125V AC, 1.5A @ 25°C.
 - 2.2 > Contact Resistance: 20mΩ Max.
 - 2.3 > Insulation Resistance: 500MΩ Min, 100V DC/min.
 - 2.4 > Voltage Proof: 1000V AC/1 minute no breakdown.
 3. Mechanical Characteristics:
 - 3.1 > Insertion Force & Withdrawal Force: 30N Max.
 - 3.2 > Durability: 750 cycles Min.
 4. Environmental compliance:
 - 4.1 > the products are compliant with the RoHS, and REACH etc.
 5. CONDUCTOR: STRANDED & SOLID WIRE, 22AWG, 24AWG. (It can be used for the wire OD from $\varnothing 1.35$ - $\varnothing 1.45$ mm.)

| | | | | | | | |
|----|--------------|----------|----------|-------------|---|---|---|
| 3 | BOOT | | 1PCS | 32*4500** | | BOOT Material: PC, UL94V-2, OD8.5mm | Transparent PC |
| 2 | Load Bar | | 1PCS | 30*0444** | | Load Bar, 4Up and 4Down $\varnothing 1.50$ mm | Transparent PC |
| 1 | Modular Plug | Shell | 1PCS | 45*40**06 | Square hole | Au: <input type="checkbox"/> 6/7" <input type="checkbox"/> 1u" <input type="checkbox"/> 3u" <input type="checkbox"/> Ni: 80u" <input checked="" type="checkbox"/> | Brass <input checked="" type="checkbox"/> Spcc <input type="checkbox"/> |
| | | Contacts | 8PCS | | 2Prongs <input type="checkbox"/> 3Prongs <input checked="" type="checkbox"/> | G/F: <input type="checkbox"/> 1u" <input type="checkbox"/> 3u" <input type="checkbox"/> 6u" <input type="checkbox"/> 15u" <input type="checkbox"/> 30u" <input type="checkbox"/> 50u" <input checked="" type="checkbox"/> OTHER <input type="checkbox"/> | Brass <input type="checkbox"/> Phosphor copper <input checked="" type="checkbox"/> |
| | | Housing | 1PCS | 21*0071** | CAT6/FTP HOUSING LONG BODY 4UP AND 4DOWN | 94V-2 <input checked="" type="checkbox"/> 94V-0 <input type="checkbox"/> | |
| NO | NAME | QTY | PART NO. | DESCRIPTION | MATERIAL | | |

| DIMENSIONAL TOLERANCE | |
|-----------------------|-------|
| X.X | ±0.20 |
| X.XX | ±0.10 |
| X.XXX | ±0.05 |
| ANGLE | ±2° |

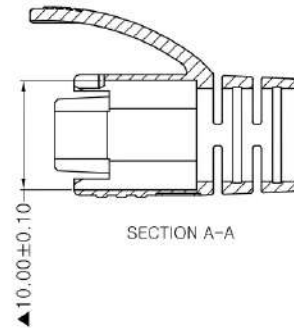
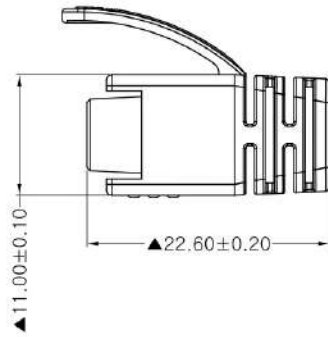
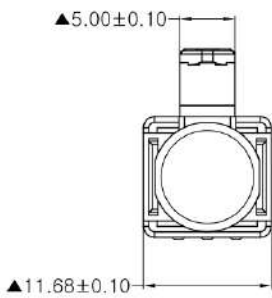
CompuCable^{USA}

| | | |
|-------------|--------------|---|
| DRAWN BY | DATE | DESCRIPTION: |
| | 2021.06.18 | RJ45 Cat.8 Shielded Plug Solid 50Micron 1.5mm dia 3Prong W/insulator 100tray |
| CHECKED BY | SHEET 1 of 3 | ITEM NO: L8S24-SPX20 |
| APPROVED BY | SCALE 1:1 | REV:00 UNIT:mm |

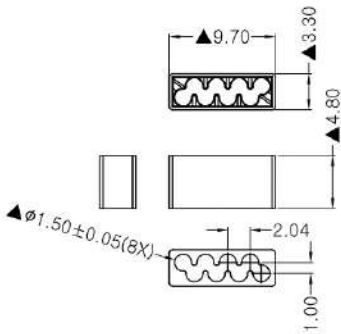
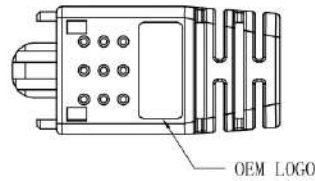


NOTE: ALL MATERIAL COMPLIANT ROHS STANDARD

| REVISION INFORMATION | | | |
|----------------------|-----------|-------------|-------------------|
| Rev. | Rev. Date | Modified By | Brief Description |
| | | | |



BOOT



Load Bar

CompuCable^{USA}

| | | | |
|-------------|--------------------|--|---------|
| DRAWN BY | DATE 2021.06.18 | DESCRIPTION: RJ45 Cat.8 Shielded Plug Solid 50Micron 1.5mm dia 3Prong W/Insulator 100/tray | |
| CHECKED BY | SHEET 2 of 3 | ITEM NO: L8S24-SPX20 | |
| APPROVED BY | SCALE 1:1 | REV:00 | UNIT:mm |