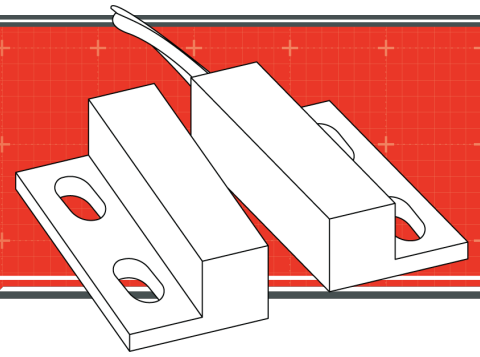


# WBP-DO-01-3F

Door Sensor, 91cm Cable



## General Description

Whisker.Blocks™ are long-range, wireless sensors that come in a variety of I/O and power configurations. These sensor blocks use our proprietary long range wireless communication technology, ensuring reliable and robust operation. This door sensor can be connected to sensor blocks with a dry contact input. The sensor is a normally open switch that closes in the presence of a magnetic field.

There are multiple compatible Whisker.Block™ products available that have a dry contact input. The part numbers of the compatible Whisker.Block™ products are show to the right.

Refer to the Whisker.Block™ documentation for details on the various modes for reading the state of the sensor.

## Power

This is a passive sensor that requires no external power.

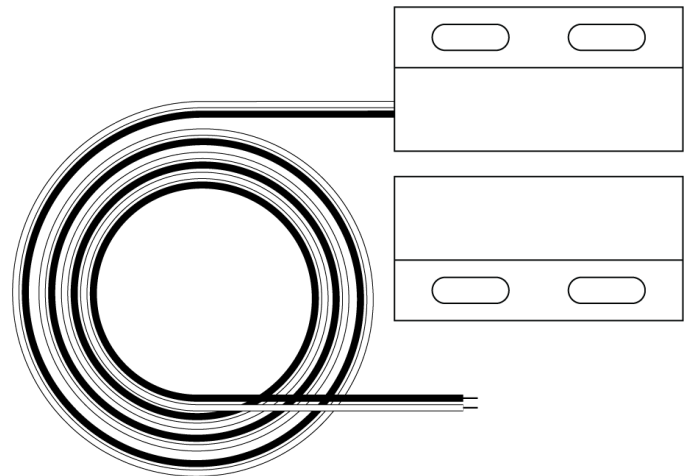
## Mounting

There are screw holes for mounting both the switch body and the associated magnet but they can also be mounted with double sided tape (not included). In a typical application the switch body is mounted to the door or window frame and the magnet is mounted on the door or window so that the magnet is closely aligned with the switch body when the door or window is closed.

## Compatible Whisker.Blocks®

Part Number
WB1-9-00-DCNNNNNN-0000-LR
WB1-9-00-DCTRNNNN-0000-LR
WB1-9-00-DCTRTRNN-0000-LR
WB1-9-00-DCA4NNNN-0000-LR
WB1-9-00-DCA4A4NN-0000-LR
WB1-9-00-DCA5NNNN-0000-LR
WB1-9-00-DCA5A5NN-0000-LR

## Wiring



### Recommended Wiring:

Connector	Pin	Sensor Wire	Description
1	2 or 3	Blue/Black	Switch Pole
1	4	White	Ground Reference

