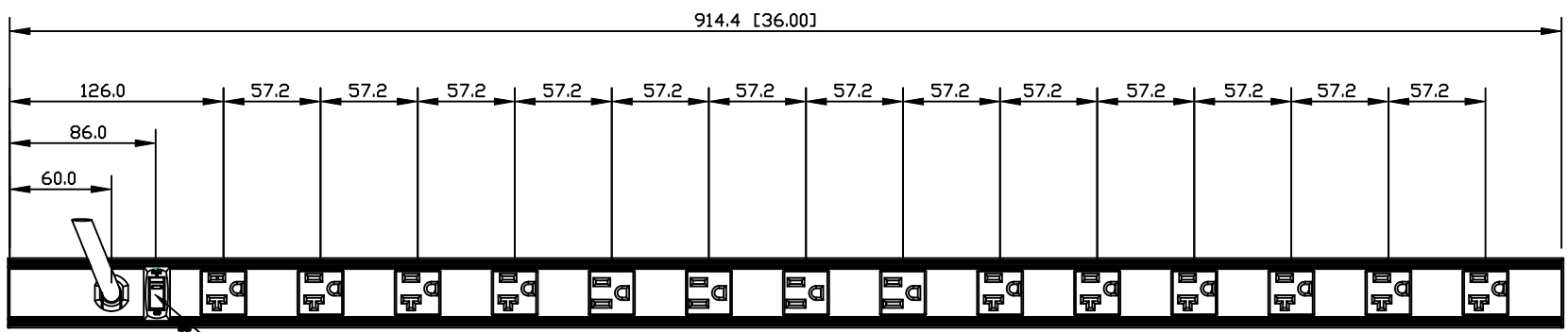
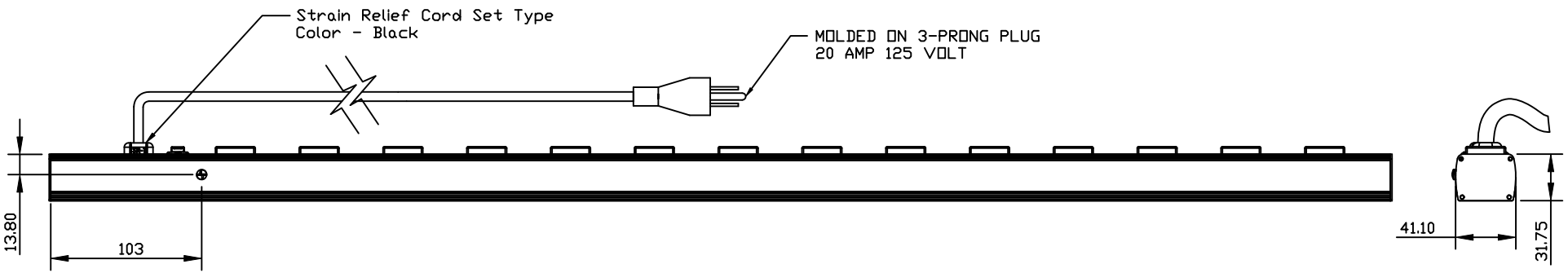


REVISIONS				
ZONE	REV.	DESCRIPTION	DATE	APPROVED
X		Outlet Definition		WB
1		Safety and Regulatory	2/19/2016	WB
2		Production Level Spec.	3/21/2016	WB



ON/OFF Switch (Illuminated) 20 AMP
RED Transparent Illuminated "ON" Position.



Part Description	Zero U Rack Mount PDU, 14 Outlets, 20A WMP, Circuit Breaker
Delta Part Number	PDU1420-VM
Finish	Powder Coat Black
Safety	UL/cUL (UL1363)
Cord Length & AWG	15' (12 AWG x 3)
Connector - AC Input	NEMA L5-20P
Connector - AC Output	NEMA 5-20R

DELTA 達電子工業股份有限公司
LTA ELECTRONICS, INC.

THESE DRAWINGS AND SPECIFICATIONS ARE THE PROPERTY OF DELTA ELECTRONICS, INC. AND SHALL NOT BE REPRODUCED OR USED AS THE BASIS FOR THE MANUFACTURE OR SELL OF APPARATUS OR DEVICES WITHOUT PERMISSION.

DELTA LTA ELECTRONICS, INC.

100% INSULATION TEST

SCALE: UNIT: MM USED ON

Drawn	ID-3D Design	Safety	
Design		Layout	
Checked		IE:	
Approved	W.Bradshaw	EE Chk	
Material	Aluminum	EE App'd	
Description	ZERO U VERTICAL MOUNT PDU		
Part No.	PDU1420-VM	REV.	2
SHEET 1 OF 1	ISSUE DATE: 23 MAR 16		