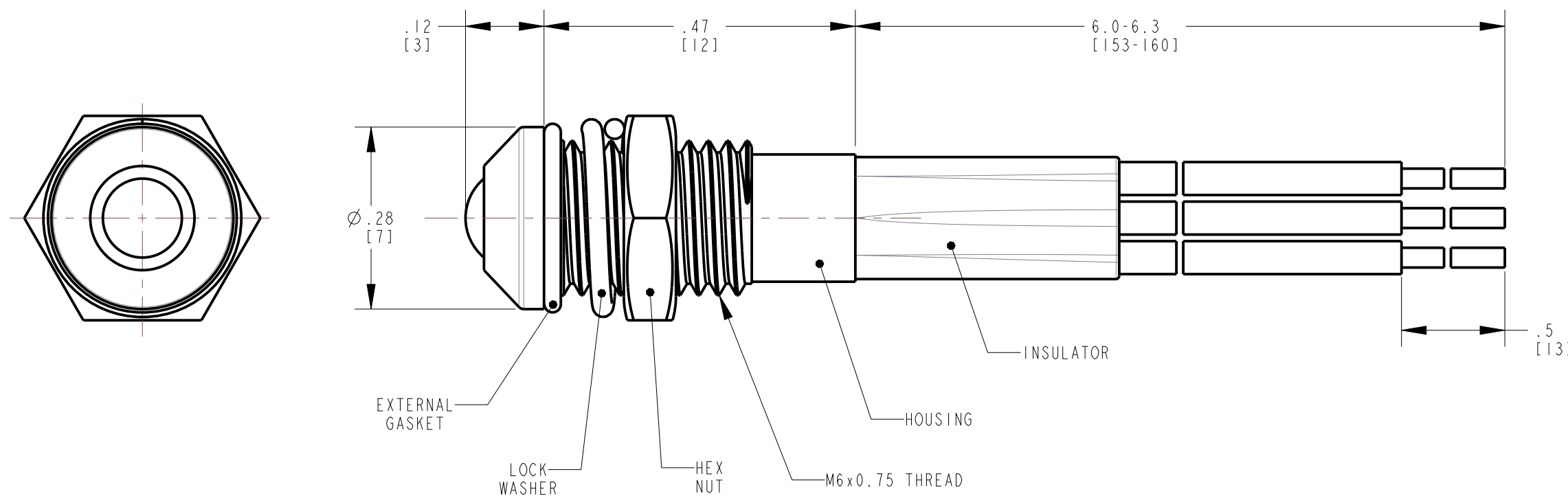


DIALIGHT PART NO.	LED COLOR	OPERATING VOLTAGE
606-1415-110F	RED/GREEN	3 VDC
606-1415-120F	RED/GREEN	6 VDC
606-1415-130F	RED/GREEN	12 VDC

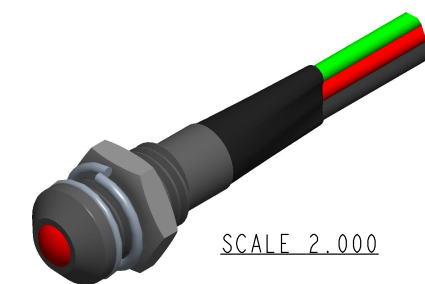
REV	REVISIONS	DRN	APP	DATE
B	REDRAWN IN CAD FOR CLARITY.	JGL	SK	4/12/2021

		ABSOLUTE MAXIMUM RATINGS					(IF=20mA) ELECTRO-OPTICAL CHARACTERISTICS				
		FORWARD CURRENT IF (mA)	REVERSE VOLTAGE VR (V)	POWER DISSIPATION PD (mW)	OPERATING TEMPERATURE Topr	STORAGE TEMPERATURE Tstg	FORWARD VOLTAGE VF (V)	REVERSE CURRENT IR (uA)	LUMINOUS INTENSITY Iv (mcd)	WAVE LENGTH (nm)	ANGLE (REF.)
606 SERIES BI-COLOR	RED	20	5	110	-40C to +85C	-40C to +85C	3	5	500	622	120
	GREEN	20	5	110	-40C to +85C	-40C to +85C	3	5	1150	517	120



NOTES:

1. MOUNTING HOLE SIZE:  $\phi 6,3\text{MM}$  (0.248")
2. MAXIMUM PANEL THICKNESS: 3,5MM (0.138")
3. MATERIALS:
  - 3.1 METAL HOUSING: BRASS, BRIGHT CHROME PLATED
  - 3.2 EXTERNAL GASKET: NEOPRENE
  - 3.3 SPLIT LOCK WASHER: STEEL, NICKEL PLATED.
  - 3.4 MOUNTING HEX NUT: BRASS, NICKEL PLATED.
4. SOLDERABILITY: PER ANSI/IPC-S-805, METHOD A.



THIS DRAWING AND THE CONTENTS HEREIN ARE CONFIDENTIAL AND THE SOLE PROPERTY OF DIALIGHT CORP. REPRODUCTION OF THIS DRAWING OR CONSTRUCTION OF ANY PARTS WITHIN THIS DRAWING ARE FORBIDDEN WITHOUT THE WRITTEN CONSENT OF DIALIGHT CORP.		
DIALIGHT CORP. INTERNAL REFERENCE ONLY = 3D MODEL : 60614151XF-.0		
SCALE: 5.000	DRAWING NUMBER	REV
ALL DIM's: INCH (mm)	C-15576	B
TOLERANCES: UNLESS OTHERWISE SPECIFIED	TITLE 6MM R/G LED PMI	
FRACTIONS: $\pm 1/64$ DECIMALS (.XX): $\pm .01$ DECIMALS (.XXX): $\pm .005$ DECIMALS (.XXXX): $\pm .0005$ ANGLES: $\pm 1^\circ$	MATERIAL	
FINISH		
FSCM 83330	1501 ROUTE 34 SOUTH FARMINGDALE, NJ 07727 (732) 919-3119 www.dialight.com	
SHEET 1 OF 1		FAMILY TABLE: