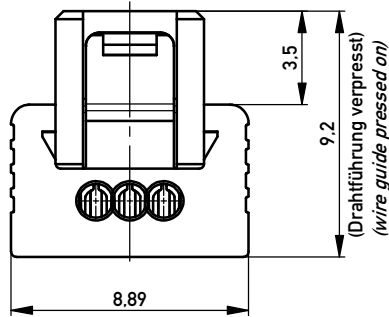
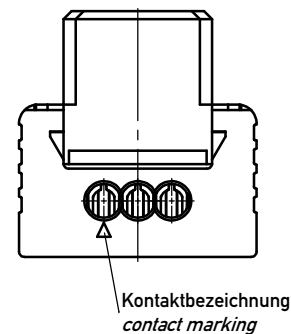
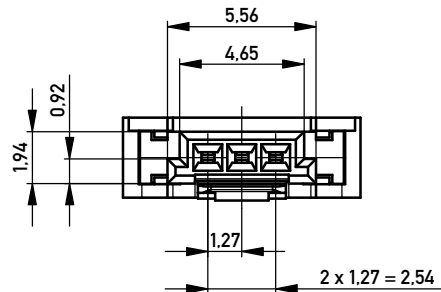


Kabelführung: rot
cable guide: red

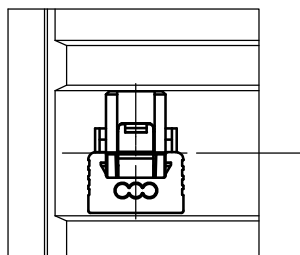
mit aufgesetzter Drahtführung
(Anlieferungszustand)
with wire guide mounted
(state at time of supply)



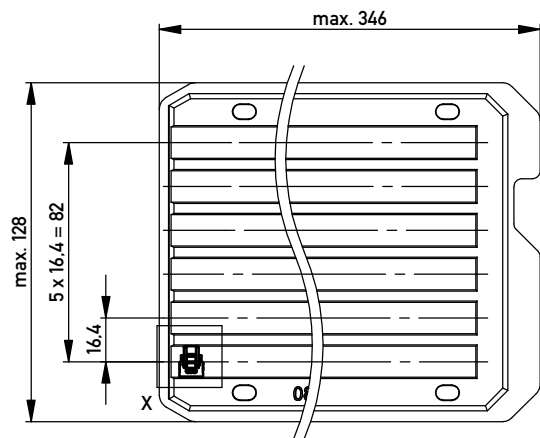
(Drahtführung verpresst)
(wire guide pressed on)



Einzelheit X - detail X
M 2:1

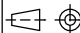



Verpackt in Tray - tray packaging
Verpackungseinheit 204 Stück - packaging unit 204 pcs



* Federkontakt AWG 22 - Female Contact AWG 22
Kabelführung $\varnothing 1.27$ - cable guide $\varnothing 1.27$

nur mit Hilfsmittel lösbar
only with tool unlockable

Information:	Tolerances		Scale 5:1
All rights reserved. Only for Information. To ensure that this is the latest version of this drawing, please contact one of the ERNI companies before using.	Subject to modification without prior notice. Drawing will not be updated.	All Dimensions in mm	Designation
			1.27 SRC P SKV, 3-polig d=1.27 1.27 SRC P IDC, 3-pin d=1.27
 www.ERNI.com		464224	
Index	Date	Class	SRCP

Copyright by ERNI GmbH
Proprietary notice pursuant to ISO 16018 to be observed.

1
A3