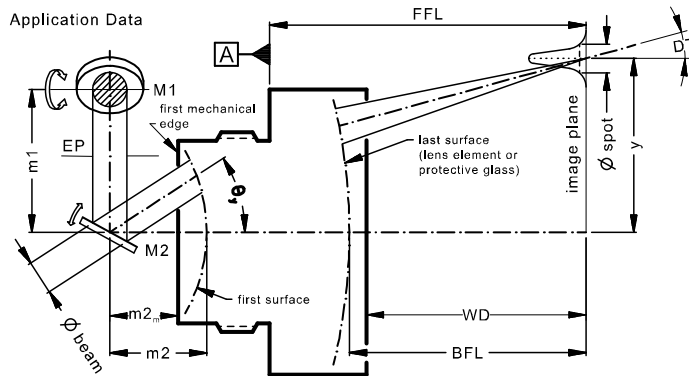


LINOS F-Theta-Ronar Lens

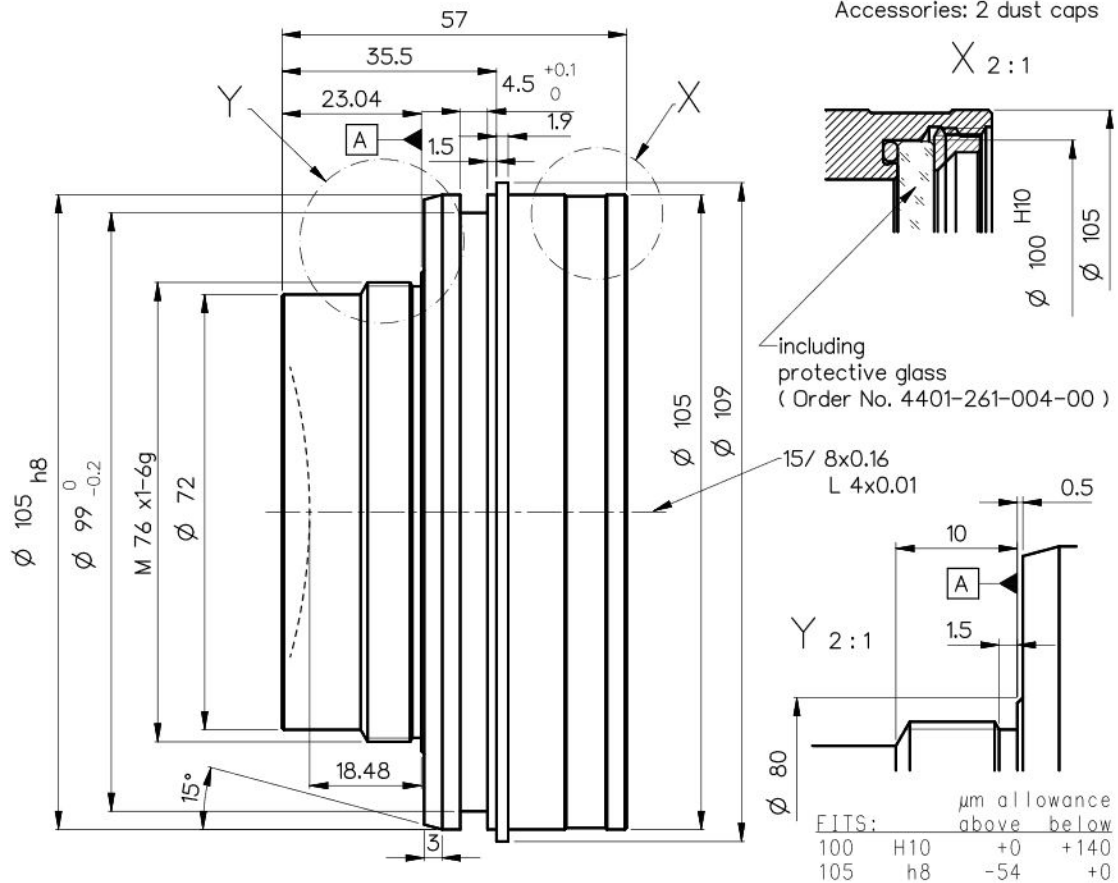
f = 163mm, 1064nm



Part number	4401-261-000-21		
Design wavelength	λ	(nm)	1064
Effective focal length	EFL	(mm)	163.1
Back focal length	BFL	(mm)	190.0
Working distance	WD	(mm)	185.9
Flange focal length	FFL	(mm)	219.1
Beam diameter 1/e ² truncated	$\varnothing_{\text{beam}}$	(mm)	10.0
Recommended mirror distance m1	m1	(mm)	13.0
Recommended mirror distance m2	m2	(mm)	24.0
Recommended mirror distance m2 _{mechanical}	m2 _m	(mm)	19.4
Scan angle	$\pm\theta_{x,y}$	(°)	20.2
Scan area (edge length of scan field)	2x * 2y	(mm ²)	115 x 115
Spot diameter	$\varnothing_{\text{spot}}$	(μm)	32
Total transmission @ 1064nm	T	(%)	> 96
LIDT coating @ 1064nm, 9ns, 100Hz		(J/cm ²)	10
Focused back reflex positions from first surface		(mm)	6.8; 14.5; 40.4; 41.1; 45.7
Weight		(g)	795
Protective glass	PG		4401-261-004-00

Optical parameters calculated for a 1-mirror system
 Subject to technical change

Mechanical drawing



Dimensions without tolerances are nominal values and illustration not to scale

Notes



For technical explanations, see our homepage.

In a 1-mirror system, the entrance pupil (EP) is the position of the scan mirror. In a 2-mirror system, it is the point where the scan mirrors should be placed around symmetrically to reach specified performance.