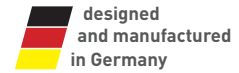


# Data Sheet iSYS-5010

Version 1.7 - 05.12.2018



PRODUCT FAMILY

3D-MIMO-RADAR

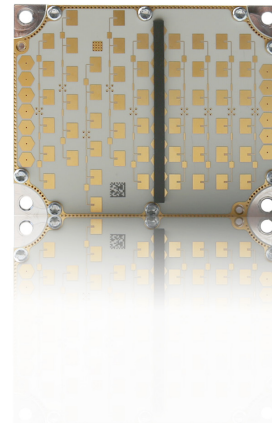
APPLICATIONS

- Area Surveillance

- Movement
- Velocity
- Direction
- Presence
- Distance
- Angle

## FEATURES

- » MIMO-Radar working in the 24GHz - ISM - Band
- » Simultaneous capture of speed, distance and angular deviation of a target
- » Detection of targets up to 54.9m in distance
- » Unambiguous velocity: 34.9 km/h
- » FOV  $\pm 75^\circ$  with an angular resolution of  $16^\circ$  in azimuth
- » Target list on SPI
- » UART command interface
- » Compact design 71 x 57 x 16.6mm



## DESCRIPTION

Detection and separation of moving and stationary targets according to their speed, range and azimuth angle allows the possibility to detect a target in a 2-dimensional environment.

High speed modulation concept for best signal to noise performance.

Simultaneous capture of speed, distance and angular deviation of a target.

Complete signal processing included. Target list output on SPI, UART.

## ADDITIONAL INFORMATION

InnoSenT Standard Product. Changes will not be notified as long as there is no influence on form, fit and within this data sheet specified function of the product.

## CERTIFICATES

InnoSenT GmbH has established and applies a quality system for: development, production and sales of radar sensors for industrial and automotive sensors.



## RoHS-INFO

This product is compliant to the restriction of hazardous substances (RoHS - European Union directive 2011/65/EU).

### CONFIDENTIAL AND PROPRIETARY

The information contained in this document shall remain the sole and exclusive property of InnoSenT GmbH and shall not be disclosed by the recipient to third parties without prior consent of InnoSenT in writing.

## PARAMETERS

The iSYS-5010 consist of a 24GHz Radar Front End (RFE) with a DSP-Board for measure of distance, radial velocity and angle of arrival of targets. The sensor offers an SPI, UART interface. The ouput of the sensor is a target list.

PARAMETER	CONDITIONS	SYMBOL	MIN	TYP	MAX	UNITS
-----------	------------	--------	-----	-----	-----	-------

**Radar**

transmit frequencies		$f_{iSYS-5010}$	24.050		24.250	GHz
output power		$P_{out}$			12.7	dBm

**Sensor**

detection range	depending on RCS	$d_r$	1		54.9	m
distance error		$d_{error}$			±1	m
distance resolution		$d_{res}$		±0.93		m
velocity range		$v_r$	-34.9		+34.9	km/h
velocity error		$v_{error}$			±0.55	km/h
velocity resolution		$v_{res}$		0.55		km/h
antenna pattern (10dB width)	compare with plot on page 4	azimuth		166		°
		elevation		36		°
angle detection				±75		°
angle error	within ±55° FOV			±1		°
angle resolution				16		°
update rate				100		ms

**Power supply**

supply voltage <sup>1</sup>		$V_{CC}$	6.1	6.25	6.4	V
supply current	details compare to page 3	$I_{CC}$		650	1000	mA

<sup>1</sup> stable power supply required

**Environment**

operating temperature		$T_{OP}$	-40		+85	°C
storage temperature		$T_{STG}$	-40		+85	°C

**Mechanical Outlines**

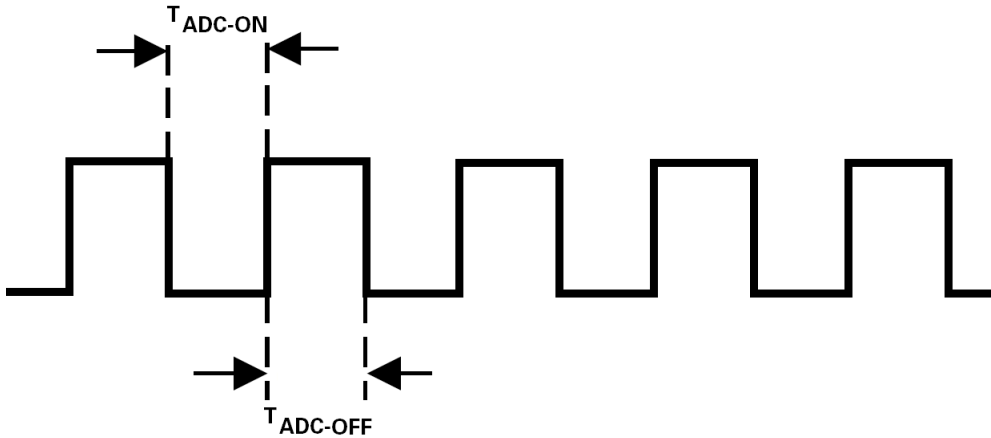
outline dimensions	compare to schematic on page 6	height length width		16.6 71.0 57.0		mm
--------------------	--------------------------------	---------------------------	--	----------------------	--	----

**CONFIDENTIAL AND PROPRIETARY**

The information contained in this document shall remain the sole and exclusive property of InnoSenT GmbH and shall not be disclosed by the recipient to third parties without prior consent of InnoSenT in writing.

## TRANSIENT CURRENT

The Analog Front End (AFE) operates in a duty cycle mode to save energy and to avoid a strong heating of the iSYS-5010 RADAR-Sensor.



$$T_{ADC-ON} = 40.50\text{ms}$$

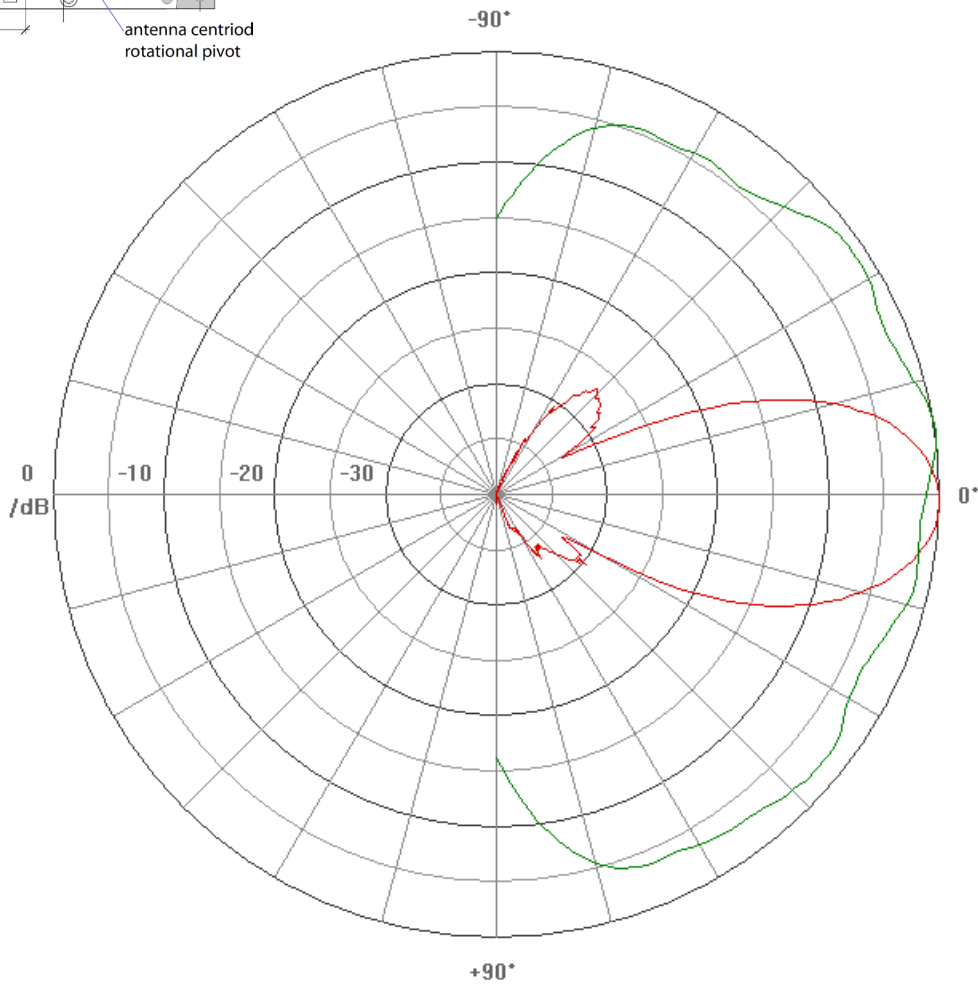
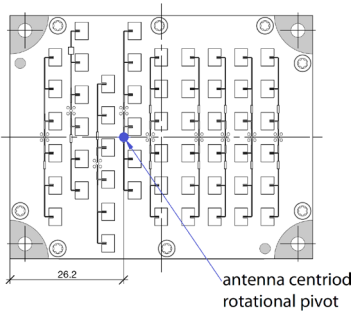
$$T_{ADC-OFF} = 59.50\text{ms}$$

$$I_{ADC-ON} = \text{typ. } 685\text{mA (@6.25V)}$$

$$I_{ADC-OFF} = \text{typ. } 527\text{mA (@6.25V)}$$

$$I_{\text{supply}} = \text{typ. } 591\text{mA (@6.25V)}$$

ANTENNA PATTERN



	Red graph ELEVATION ANGLE	Green graph AZIMUTH ANGLE
3 dB – Width [°]	20	97
10 dB – Width [°]	36	166

ANGLE MEASUREMENT (measurement without radom)

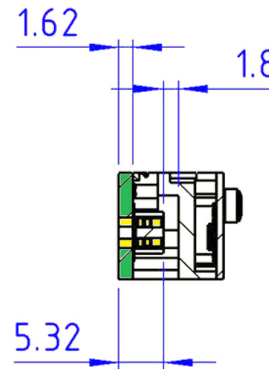
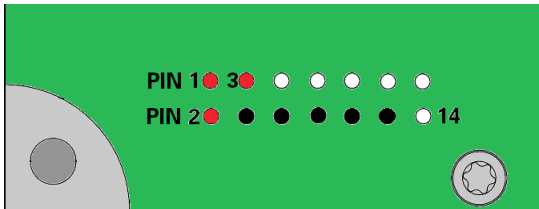
Measurement range	Resolution	Error
± 55 °	16° (@ 0° azimuth)	± 1.0°
± 75 °	16° (@ 0° azimuth)	not specified

**CONFIDENTIAL AND PROPRIETARY**

The information contained in this document shall remain the sole and exclusive property of InnoSenT GmbH and shall not be disclosed by the recipient to third parties without prior consent of InnoSenT in writing.

## INTERFACE

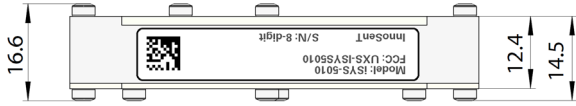
The iSYS-5010 provides a 14 Pin 2.54 mm pitch female header. This connector (W+P 3492-14-3- 00-00) is a dual entry type and is mounted on the inner side of the DSP-board. InnoSenT uses a gold-plated connector. The length of the mating connector should be 5.32mm ± 0.5mm (e.g. W+P3132-12-14-00-0-ST).



PIN #	DESCRIPTION	COMMENT
1	6V25_IN ●	Power Supply, 900mA max.
2	6V25_IN ●	
3	6V25_IN ●	
4	GND ●	
5	SPI_CLK	SPI -> interface for target list output, CLK 5 MHz max.
6	GND ●	
7	SPI_CS	SPI -> interface for target list output
8	GND ●	
9	SPI_MOSI	SPI -> interface for target list output
10	GND ●	
11	SPI_MISO	SPI -> interface for target list output
12	GND ●	
13	UART_RX	UART -> command interface for configuration
14	UART_TX	

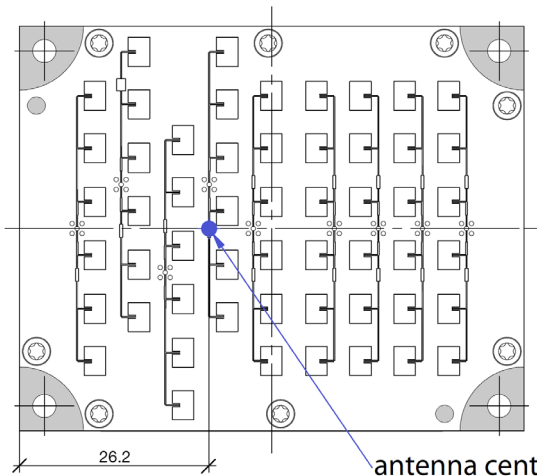
MECHANICAL SCHEMATIC

side view



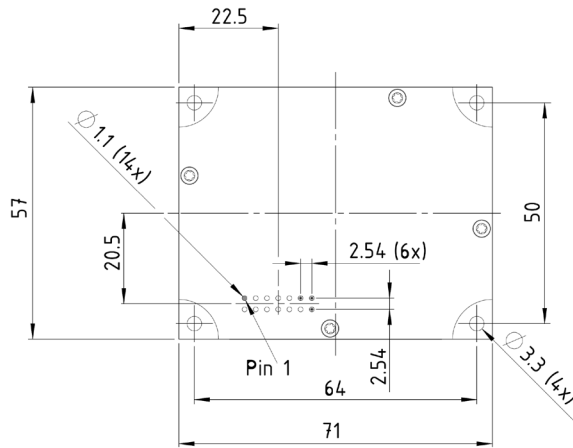
The module must be installed with label up-side in an inaccessible housing to prevent accidental contact.

top view

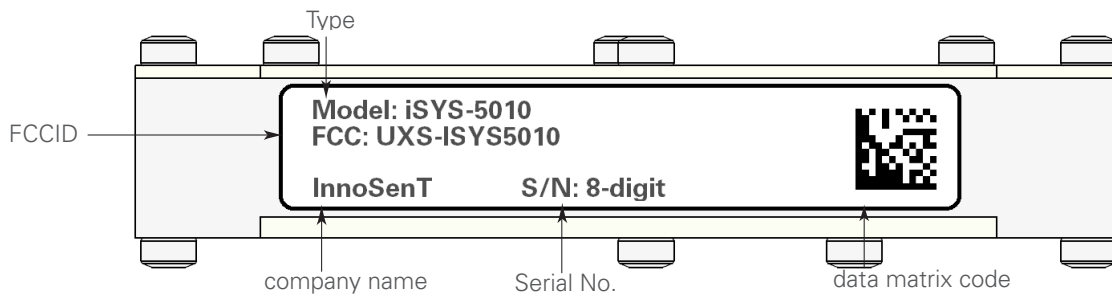


antenna centroid  
rotational pivot

bottom view



LABELING



CONFIDENTIAL AND PROPRIETARY

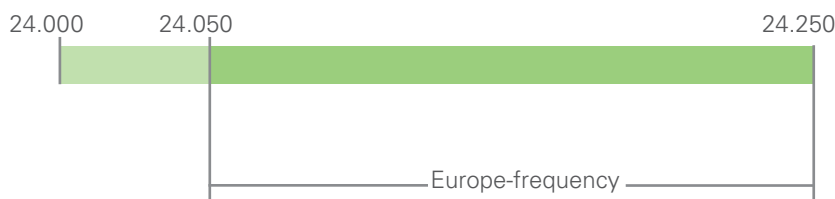
The information contained in this document shall remain the sole and exclusive property of InnoSenT GmbH and shall not be disclosed by the recipient to third parties without prior consent of InnoSenT in writing.

## Annex A

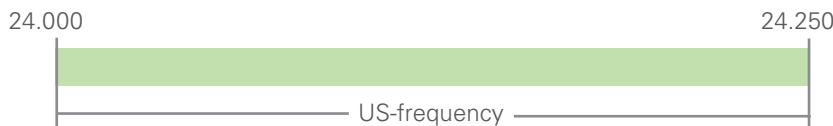
The information that will be given below is only a rough overview; for details please contact the local approval agencies. An overview over the frequency bands in Europe can also be found in the REC 70-03 (Annex 6) which is available under [www.ero.dk](http://www.ero.dk)

### Frequency Bands in Europe

Generally the iSYS-5010 standard version can be used for all countries in Europe.



### Frequency Bands in US FCC 15.249



#### FCC approval

Operation is subject to the following two conditions:

- (1) this device may not cause harmful interference, and
- (2) this device must accept any interference received, including interference that may cause undesired operation.

Warning: Changes or modifications made to this equipment not expressly approved by InnoSenT GmbH may void the FCC authorization to operate this equipment.

Manufacturers of mobile or fixed devices incorporating iSYS-5010 modules are authorized to use the FCC Grants for their own final products according to the conditions referenced in these documents. In this case, the FCC label of the module shall be visible from the outside, or the host device shall bear a second label stating „Contains FCC ID: UXS-ISYS5010“.

## SETUP-INFORMATION



The module must be installed with label up-side in an inaccessible housing to prevent accidental contact.

## ESD-INFORMATION



This InnoSenT sensor is sensitive to damage from ESD. Normal precautions as usually applied to CMOS devices are sufficient when handling the device. Touching the signal output pins has to be avoided at any time before soldering or plugging the device into a motherboard.

## APPROVAL

This Data Sheet contains the technical specifications of the described product. Changes of the specification must be in written form. All previous versions of this Data Sheet are no longer valid.

VERSION	DATE	COMMENT
1.0	30.08.2016	initial release
1.1	28.09.2016	definition of mating connector; supply voltage set to typ. 6.25V; Transient and ESD information added
1.2	01.12.2016	adding labeling, adding frequency band US and Europe; changing in powersupply; changing the length of the mating connector
1.3	07.12.2016	adding setup information
1.4	01.02.2017	changing label information
1.5	13.02.2017	changing label information
1.6	06.07.2017	adding in setup-information
1.7	05.12.2018	changing parameter information

### InnoSenT GmbH

Am Rödertor 30  
97499 Donnersdorf  
GERMANY

Tel.: +49 (0)9528 - 9518 - 0  
E-Mail: info@innosent.de  
URL: www.innosent.de