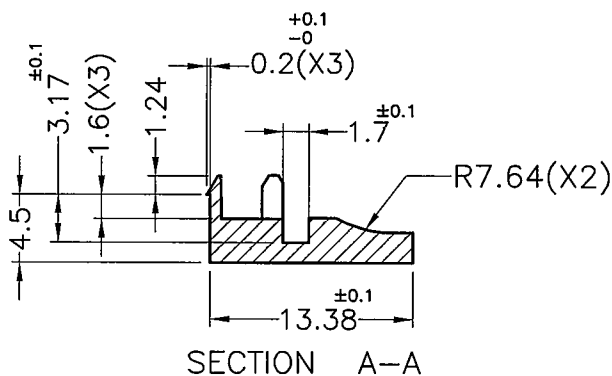
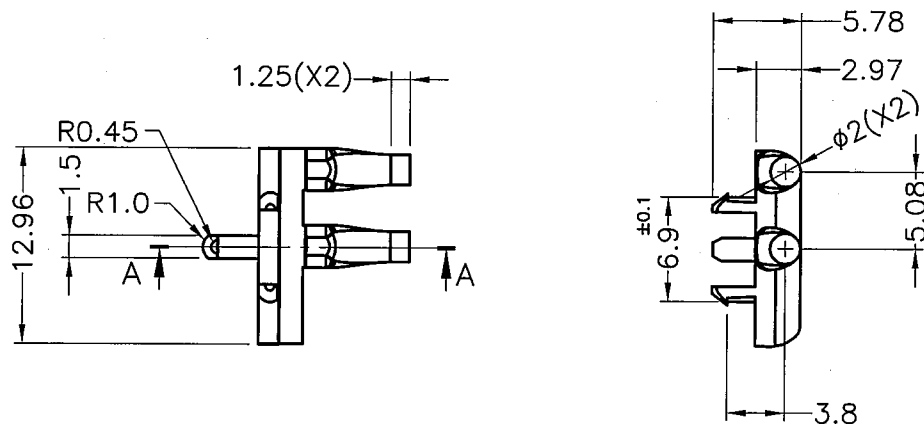


成型尺寸	公差
X	±0.3
X.X	±0.2
X.XX	±0.1

REVISIONS			
REV	DESCRIPTION	DATE	BY



Component - Plastics

E207780

SABIC INNOVATIVE PLASTICS JAPAN L L C

PACIFIC GRADES - RESIN, 2-2 KINUGAOKA, MOKA-SHI TOCHIGI-KEN 321-4392 JP

925A(GG), 945A(GG), 955A(GG)

Polycarbonate (PC), "Lexan", furnished as pellets

Color	Min Thk (mm)	Flame Class	HWI	HAI	RTI Elec	RTI Imp	RTI Str
ALL	0.8	V-2	3	4	130	120	125
	1.0	V-2	3	4	130	120	125
	1.5	V-2	3	3	130	120	125
	2.3	V-2	3	3	130	120	130
	2.5	V-1	3	3	130	120	130
	3.0	V-0	2	3	130	120	130

Comparative Tracking Index (CTI): 2

Dimensional Stability (%): 0

High-Voltage Arc Tracking Rate (HVTR): 3

High Volt Low Current Arc Resis (D495): 7

Dielectric Strength (kV/mm): 39

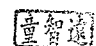
Volume Resistivity: 10¹² ohm-cm: 16

(GG) - Represents a global grade as covered in Recognized Component File E161759.

NOTE - Material designation may be followed by a color nomenclature consisting of either an alpha/numeric or numeric/alpha combination.

UL94 small-scale test data does not pertain to building materials, furnishings and related contents. UL94 small-scale test data is intended solely for determining the flammability of plastic materials used in the components and parts of end-product devices and appliances, where the acceptability of the combination is determined by UL1


康揚企業股份有限公司
 KANG YANG HARDWARE ENTERPRISE CO., LTD.
康揚塑膠(東莞)有限公司
 KANG YANG PLASTIC(DONG GUAN) CO., LTD.
康哲電腦配件(吳江)有限公司
 KANG CHE COMPUTER COMPONENTS(WUJIANG) CO., LTD.

TITLE	LED導光柱	產品規格圖面
MATERIAL	PC UL94V-0	DATE 2008.10.15
FINISH		DRAWN Tony
COLOR	CLEAR	CHECK 
PART NUMBER	LEM-61V0	DRAWING NUMBER LEM-61V0
SIZE	A4	SCALE 2:1
UNIT	mm	REV A
UNLESS OTHERWISE SPECIFIED TOLERANCE	SEE ABOVE	APPROVED 