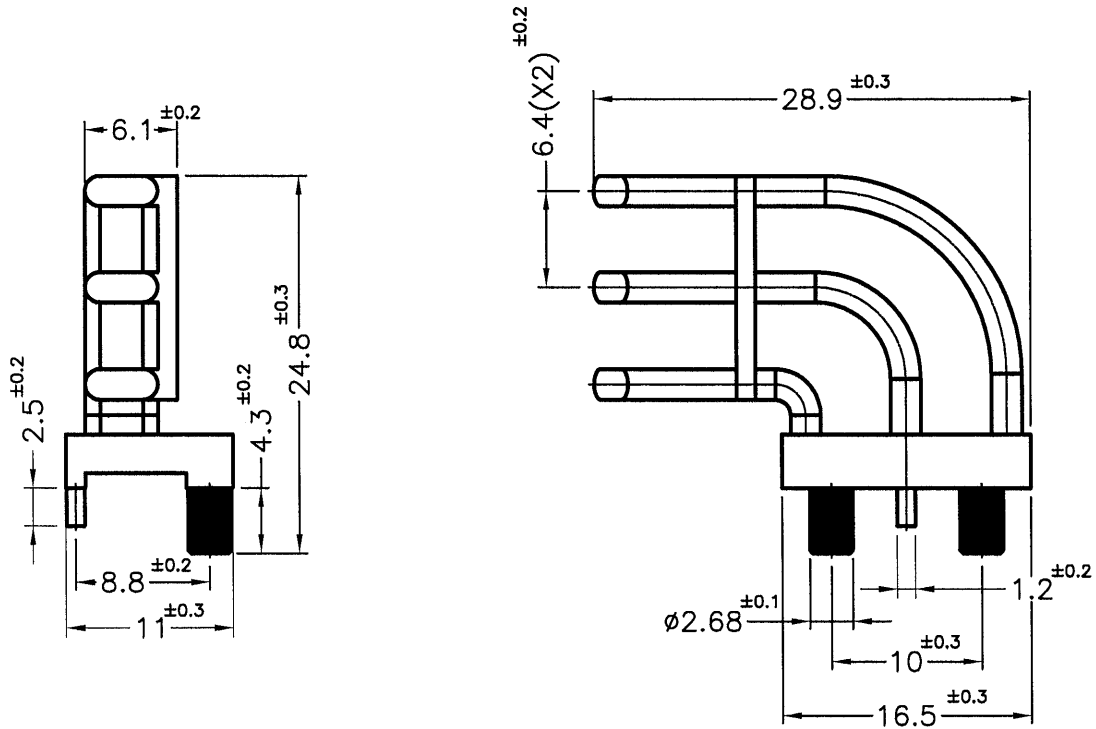
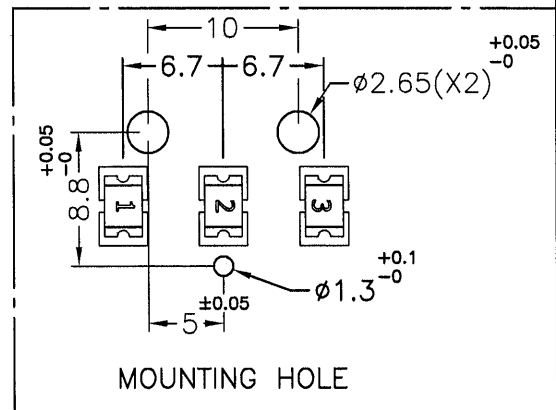





REVISIONS			
REV	DESCRIPTION	DATE	BY



PART NO.	MATERIAL
LPE3-7.8V0	PC UL94V-0
LPE3-7.8	PC UL94V-2

NOTE:MADE OF EQUIVALENT MATERIAL.
均可使用同等材質.



 康揚企業股份有限公司 KANG YANG HARDWARE ENTERPRISE CO., LTD. 康揚塑膠(東莞)有限公司 KANG YANG PLASTIC(DONG GUAN) CO.,LTD. 康哲電腦配件(吳江)有限公司 KANG CHE COMPUTER COMPONENTS(WUJIANG) CO.,LTD.				TITLE	LIGHT PIPE	SPEC. DWG.	
				MATERIAL	SEE ABOVE	DATE	2011.07.11
				FINISH		DRAWN	K.W
				COLOR	TRANSPARENT	CHECK	
PART NUMBER	SEE ABOVE	DRAWING NUMBER	LPE3-7.8	UNLESS OTHERWISE SPECIFIED TOLERANCE	SEE ABOVE	APPROVED	
SIZE	A4	SCALE	2:1	UNIT	mm	REV	A