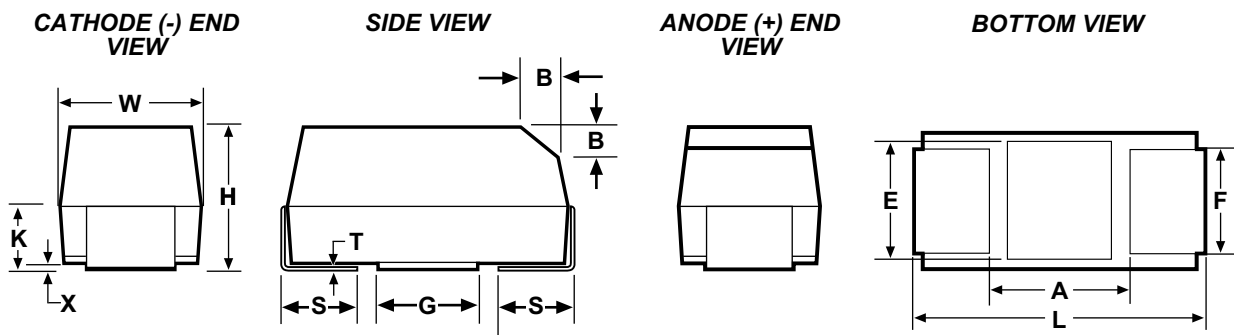


FEATURES

- Highest CV in Standard EIA Size
- Extremely Low ESR
- 125°C Max, Temperature Capability
- Polymer Cathode Technology
- High Frequency Capacitance Retention
- Non-Ignition Failure Mode
- Capacitance: 330 to 1500 μ F
- Voltage: 3V to 10V
- Molded Case (pick-and-place precision)
- 100% Accelerated Steady State Aging
- 100% Surge Current Testing
- Utilizes Multiple Tantalum Anode Technology
- Volumetric Efficiency
- Use Up to 80% of Rated Voltage (20% Derating)
- Self-Healing Mechanism
- True SMT Capability

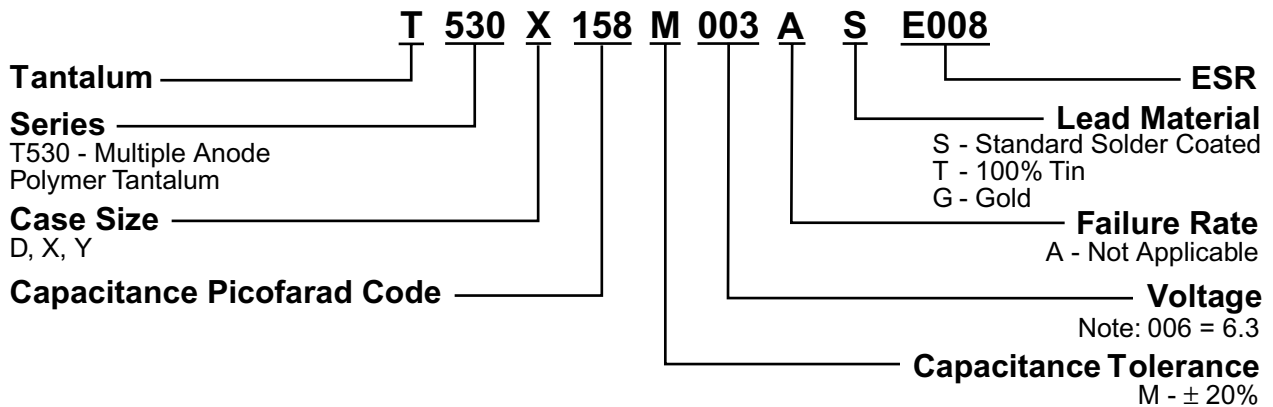
OUTLINE DRAWINGS



DIMENSIONS - MILLIMETERS (INCHES)

Case Size		L	W	H	K ± 0.20	F ± 0.1	S ± 0.3	X(Ref)	T(Ref)	A(Min)	G(ref)	E(ref)
KEMET	EIA											
D	7343-31	7.3 \pm 0.3	4.3 \pm 0.3	2.8 \pm 0.3	1.5	2.4	1.3	0.10 \pm 0.10	0.13	3.8	3.5	3.5
Y	7343-40	7.3 \pm 0.3	4.3 \pm 0.3	4.0 max	1.9	2.4	1.3	0.10 \pm 0.10	0.13	3.8	3.5	3.5
X	7343-43	7.3 \pm 0.3	4.3 \pm 0.3	4.0 \pm 0.3	2.3	2.4	1.3	0.10 \pm 0.10	0.13	3.8	3.5	3.5

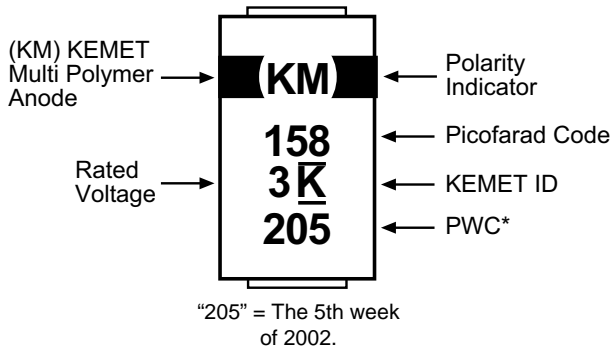
T530 ORDERING INFORMATION



T530 RATINGS & PART NUMBER REFERENCE

Capacitance μF	Case Size	KEMET Part Number	DCL V_R	DF % 120Hz	ESR mW @100 kHz 25°C Max	Ripple Current (Arms) @ 100 kHz			
						25°C	85°C	105°C	125°C
2.5 Volt Rating at 85°C (2 Volt Rating at 105°C)									
470.0	D/7343-31	T530D477M2R5ASE006	118 μA	8.0	6	6.5	5.9	5.9	2.6
470.0	D/7343-31	T530D477M2R5ASE010	117 μA	10.0	10	5.0	4.5	4.5	2.0
560.0	D/7343-31	T530D567M2R5ASE005	140 μA	8.0	5	7.1	6.4	6.4	2.9
680.0	D/7343-31	T530D687M2R5ASE010	170 μA	8.0	10	5.0	4.5	4.5	2.0
1000.0	X/7343-43	T530X108M2R5ASE006	250 μA	8.0	6	6.7	6.0	6.0	2.7
3 Volt Rating at 85°C (2.4 Volt Rating at 105°C)									
470.0	D/7343-31	T530D477M003ASE010	141 μA	8.0	10	5.0	4.5	4.5	2.0
680.0	D/7343-31	T530D687M003ASE010	204 μA	8.0	10	5.0	4.5	4.5	2.0
1000.0	X/7343-43	T530X108M003ASE010	300 μA	8.0	10	5.2	4.7	4.7	2.1
1500.0	X/7343-43	T530X158M003ASE008	450 μA	8.0	8	5.8	5.2	5.2	2.3
4 Volt Rating at 85°C (3.3 Volt Rating at 105°C)									
330.0	D/7343-31	T530D337M004ASE006	132 μA	8.0	6	6.5	5.9	5.9	2.6
470.0	D/7343-31	T530D477M004ASE010	188 μA	8.0	10	5.0	4.5	4.5	2.0
680.0	X/7343-43	T530X687M004ASE006	272 μA	8.0	6	6.7	6.0	6.0	2.7
680.0	X/7343-43	T530X687M004ASE010	272 μA	8.0	10	5.2	4.7	4.7	2.1
6 Volt Rating at 85°C (5 Volt Rating at 105°C)									
220.0	D/7343-31	T530D227M006ASE006	139 μA	8.0	6	6.5	5.9	5.9	2.6
330.0	D/7343-31	T530D337M006ASE010	208 μA	8.0	10	5.0	4.5	4.5	2.0
470.0	X/7343-43	T530X477M006ASE006	297 μA	8.0	6	6.7	6.0	6.0	2.7
470.0	X/7343-43	T530X477M006ASE010	296 μA	8.0	10	5.2	4.7	4.7	2.1
10 Volt Rating at 85°C (8 Volt Rating at 105°C)									
150.0	D/7343/31	T530D157M010ASE006	150 μA	8.0	6	6.5	5.9	5.9	2.6
220.0	D/7343/31	T530D227M010ASE010	220 μA	8.0	10	5.0	4.5	4.5	2.0
330.0	X/7343-43	T530X337M010ASE006	330 μA	8.0	6	6.7	6.0	6.0	2.7
330.0	X/7343-43	T530X337M010ASE010	330 μA	8.0	10	5.2	4.7	4.7	2.1

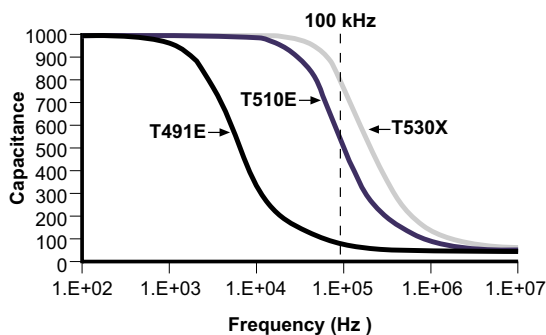
COMPONENT MARKING



T530 SERIES CONSTRUCTION



T530X/T510E/T491E 1,000 μF Capacitance vs. Frequency



T530X/T510E/T491E 1,000 μF Impedance & ESR vs. Frequency

