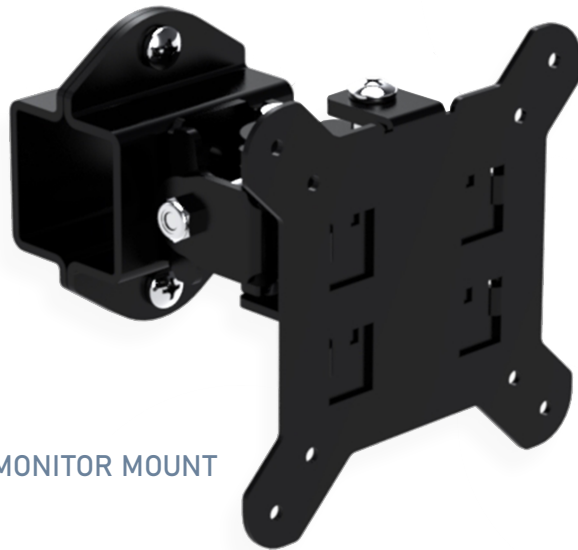


PERFORMANCE 3 AXIS MONITOR MOUNT

Get a closer look at Kendall Howard's innovative and versatile monitor mount



PERFORMANCE 3 AXIS MONITOR MOUNT

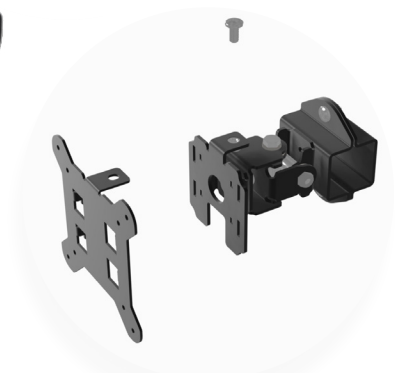
Item #5200-3-501-00

FEATURES

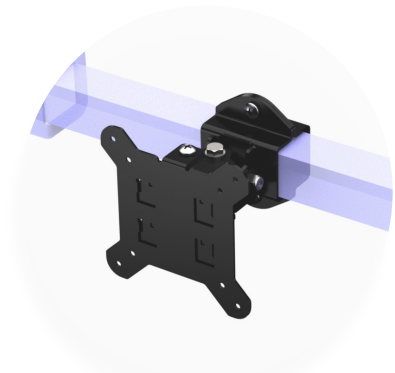
The innovative design of the Performance 3 Axis Monitor Mount takes a cumbersome job and transforms it into a quick and easy task. The detachable VESA mounting plate allows a monitor to be removed effortlessly and provides access to position the mounting assembly on the accessory bar. The 3 axis pivot points grant a wider range of mobility to create the ideal visual position for your workspace monitor. With a 20 lb. maximum weight limit each, monitor mounting has never been this versatile.

FEATURES

- Detachable VESA pattern mounting plate
- 3 Axis pivot points
- 75mm and 100mm VESA compliant mounting pattern
- 20 lb. Maximum capacity
- Made in the USA
- TAA Compliant
- Limited Lifetime Warranty



Detachable VESA pattern mounting plate!



The simplistic design makes installation easy!



The Answer is Yes! What's the Question?