

Recommended PCB Layout
(Top View)

Pin	Name	Pin	Name
A1	GND	B12	GND
A2	SSTXp1	B11	SSTXp1
A3	SSTXn1	B10	SSTXn1
A4	VBUS	B9	VBUS
A5	CC1	B8	SUB2
A6	Dp1	B7	Dn2
A7	Dn1	B6	Dp2
A8	SVU1	B5	CC2
A9	VBUS	B4	VBUS
A10	SSRXn2	B3	SSTXn2
A11	SSRXp2	B2	SSTXp2
A12	GND	B1	GND

Materials and Finish

Housing: High Temp Thermoplastic
UL 94V-0 Rated, Black Color
Shield: Stainless Steel, Nickel Plated
Contact Material:
Copper Alloy
Contact plating:
15u" Gold Plated on Contact Area,
Tin Plated on Solder Tails,
All over Nickel Underplate

Electrical Characteristics

Rated Current:
5.0A Inclusive (1.25A Ea.) For Pins
A4, A9, B4, and B9 (VBUS)
1.25A For pin B5 (VCONN)
6.25A Inclusive For Pins
A1, A12, B1, and B12 (GND)
0.25A For All Other Pins
Rated Voltage: 30V
Insulation Resistance:
100 Megohms Min. at 250V DC
Contact Resistance:
40 milliohms Max.
Dielectric Withstanding Voltage:
100V AC RMS for 1 Minute

Mechanical Characteristics

Insertion Force: 5N - 20N
Withdrawal Force: 8N - 20N
Durability: 10000 Mating Cycles Min.
Operating Temperature:
-40°C to +80°C

PRELIMINARY

PART IN DESIGN
SPECIFICATION SUBJECT TO CHANGE

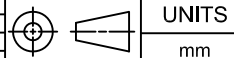
RoHS COMPLIANT

Tolerances
X.X ± 0.25
X.XX ± 0.15
Unless Stated Otherwise

REV.	DATE	DESCRIPTION	REV. BY	CHK. BY	DRAWN BY	DATE
A0.1	05/17/19	New Drawing	G. Serrato	D. Shehan		
A0.2	05/20/19	Add Part Number	G. Serrato	D. Shehan	G. Serrato	05/17/19

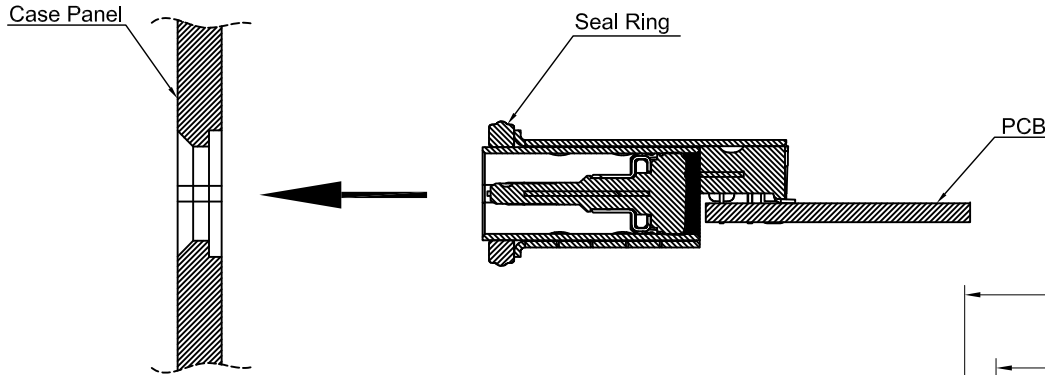
KUSB67X-MM-CS1-B15TR

Waterproof, Mid Mount, USB Type C Receptacle

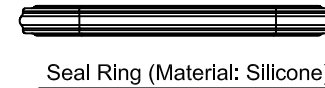
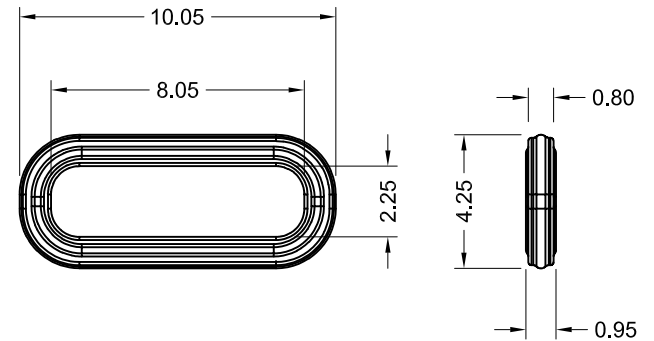
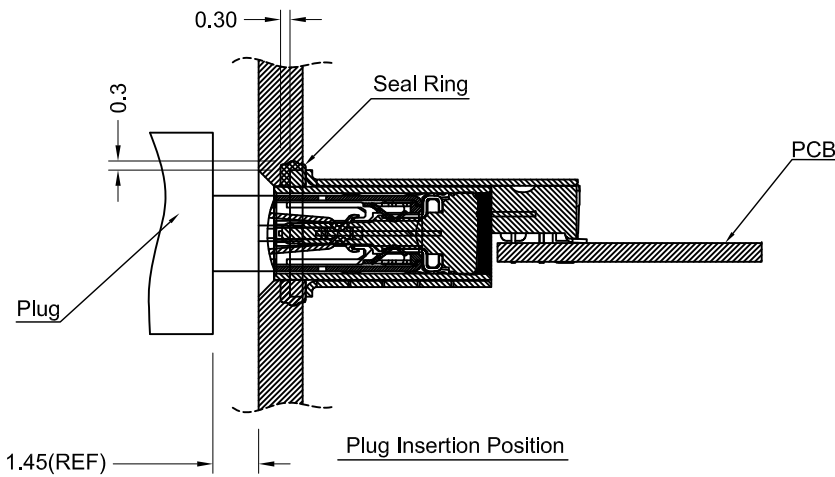


UNITS
mm

Suggested Mounting Information



Suggested shrinkage value is 40% ~ 50% diameter of the seal ring.



PRELIMINARY
PART IN DESIGN
SPECIFICATION SUBJECT TO CHANGE

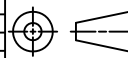
RoHS COMPLIANT

Tolerances
X.X ± 0.25
X.XX ± 0.15
Unless Stated
Otherwise

REV.	DATE	DESCRIPTION	REV. BY	CHK. BY	DRAWN BY	DATE
A0.1	05/17/19	New Drawing	G. Serrato	D. Shehan		
A0.2	05/20/19	Add Part Number	G. Serrato	D. Shehan	G. Serrato	05/17/19

KUSB67X-MM-CS1-B15TR

Waterproof, Mid Mount, USB Type C Receptacle



UNITS
mm