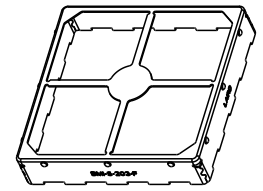
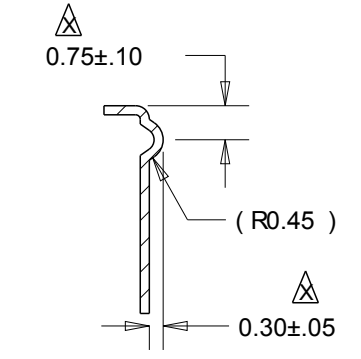
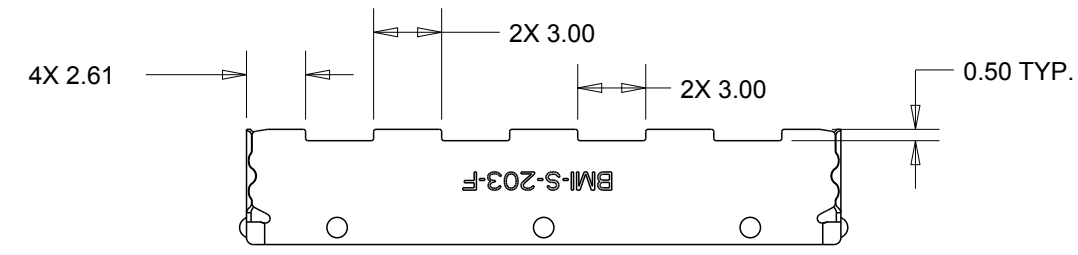


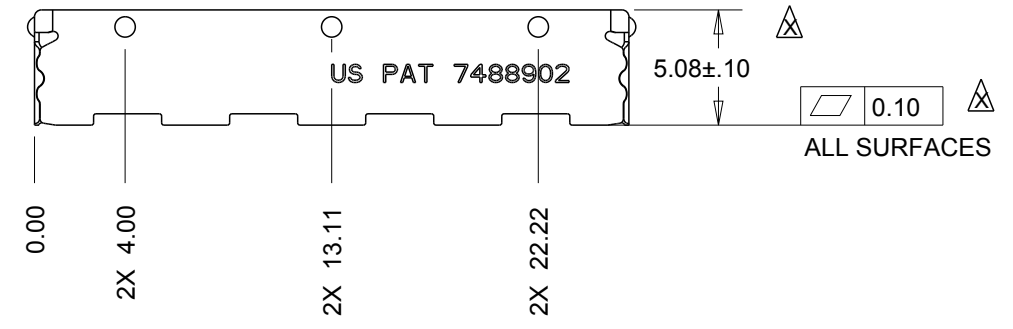
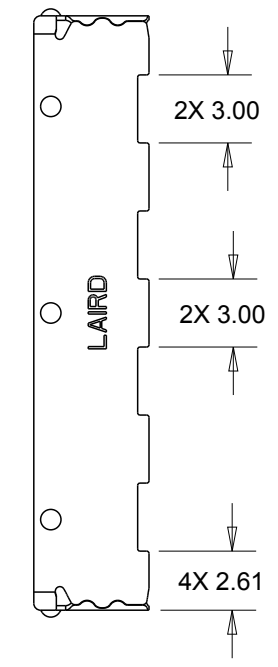
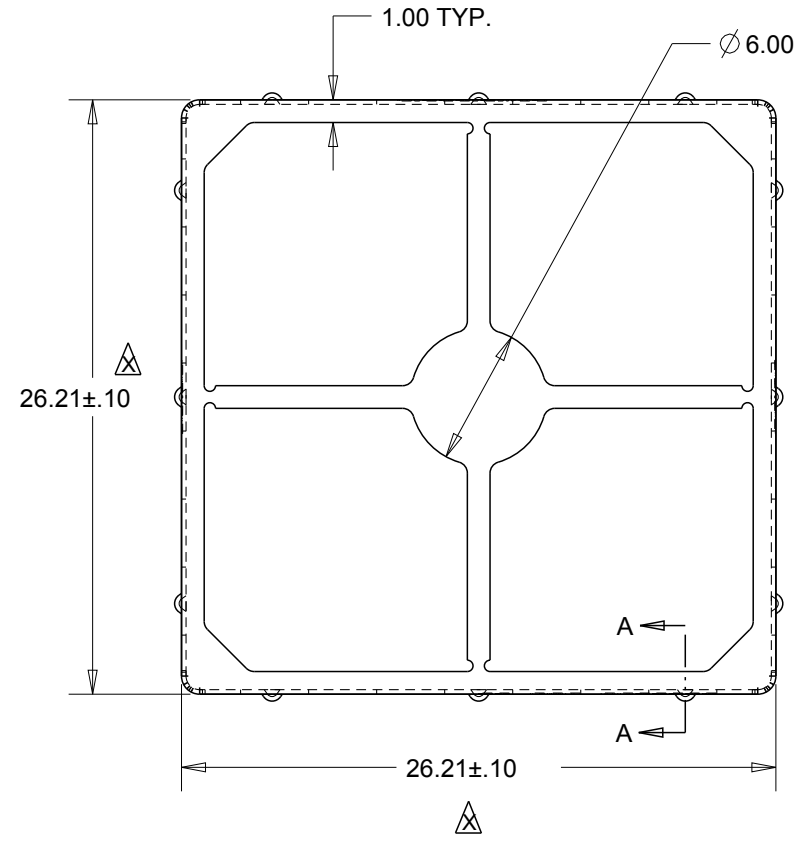
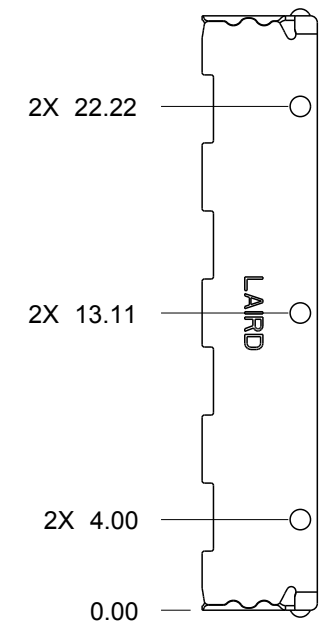
REVISION CHANGES				
REV	DESCRIPTION	DATE	BY	APPROVED
B	ADDED CONTACT DIMPLES, CHANGED RIGID CORNER	09/04/14	TW	TW
C	FLANGE WAS 1.5MM	01/17/15	TW	TW
D	REMOVED 2 CONTACT DIMPLES ON EACH SIDE	02/10/15	TW	TW



SCALE 1.000



SECTION A-A
SCALE 6.000



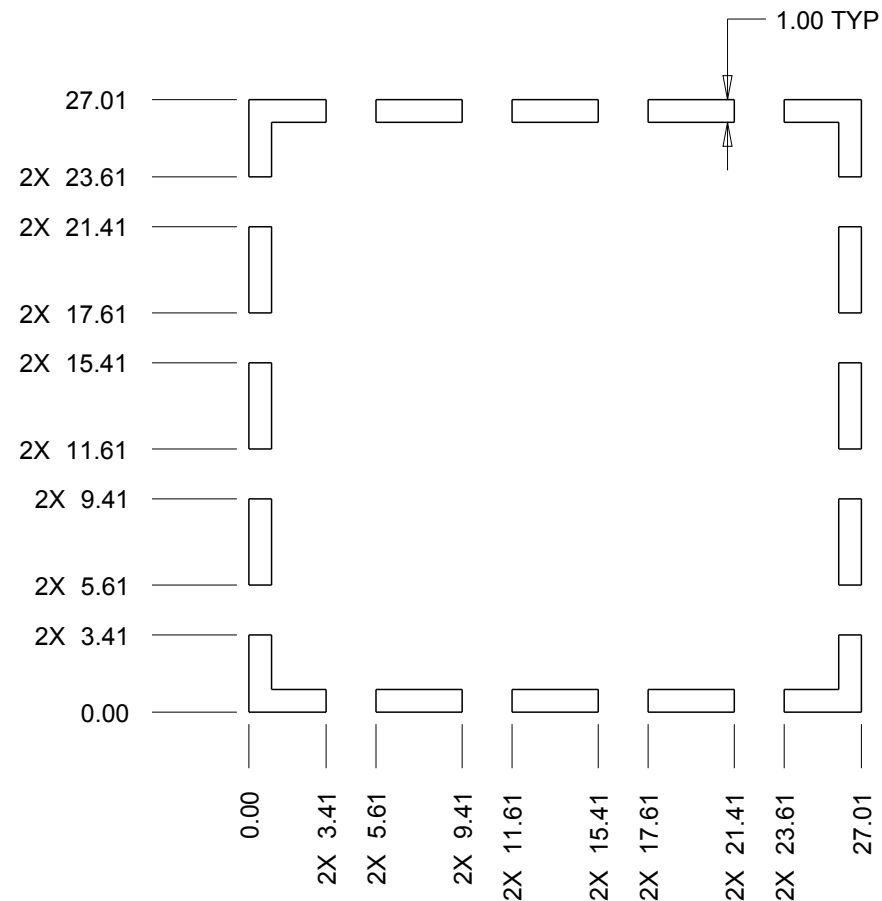
NOTES:

- A. PARTS SHALL BE FREE OF SHARP EDGES. BURRS SHALL NOT EXCEED 10% OF MATERIAL THICKNESS OR 0.15mm WHICHEVER IS LESS.
- B. CRITICAL DIMENSIONS ARE DESIGNATED BY
- C. REFERENCE DIMENSIONS WILL BE SHOWN IN PARENTHESES (DIM).
- D. PART SHALL BE FREE OF OIL OR GREASE.
- E. PACKAGING: TAPE AND REEL

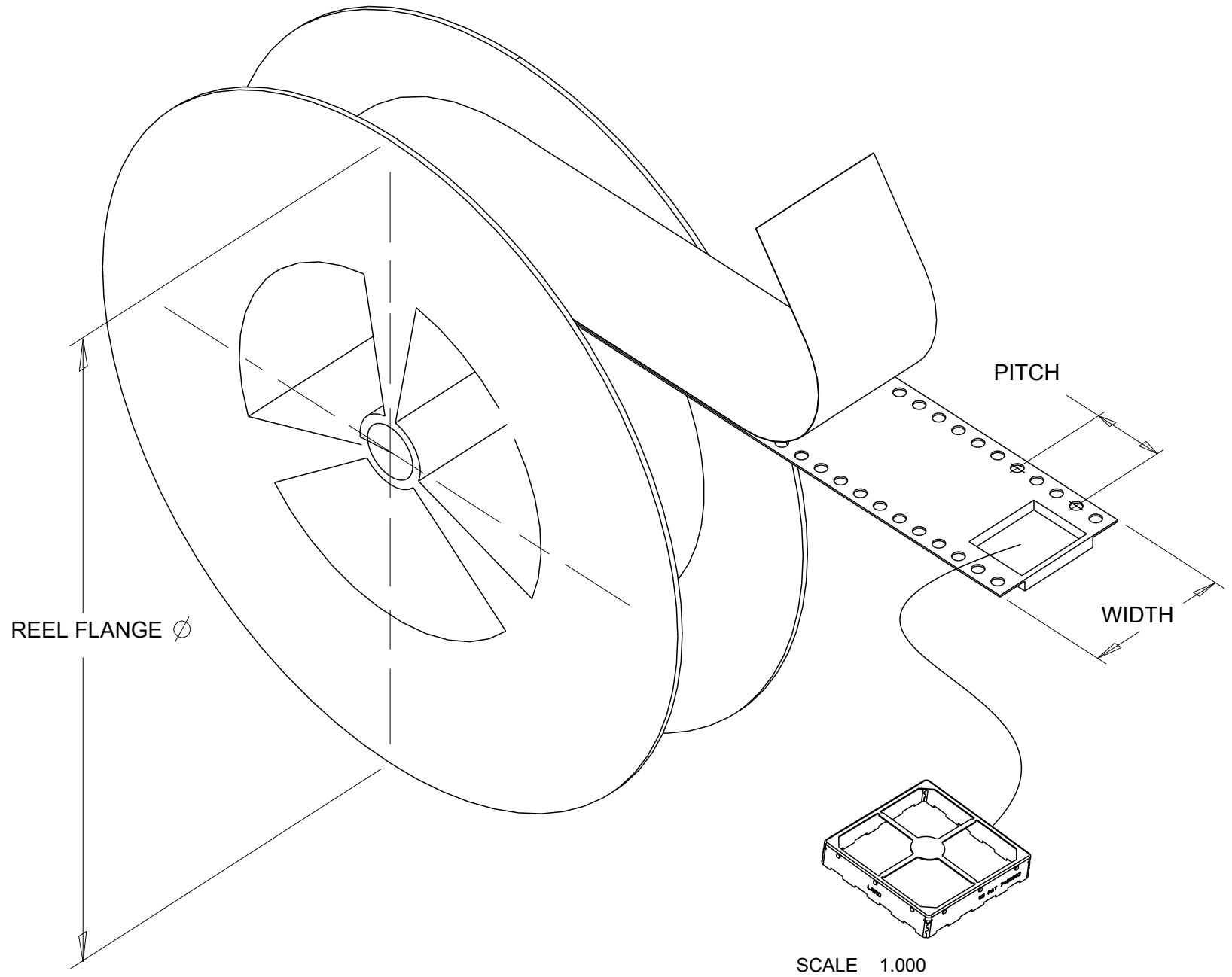
- ROHS -
THIS PRODUCT IS FULLY COMPLIANT TO LT-GES-001, WHICH MEETS OR EXCEEDS COMPLIANCE REQUIREMENTS OF EUROPEAN DIRECTIVE 2002/95/EC 'RESTRICTION OF USE OF HAZARDOUS SUBSTANCES.'

<p>* CAD MAINTAINED DRAWING * MANUAL CHANGES UNAUTHORIZED. PRINTED COPIES OF THIS DOCUMENT ARE CONSIDERED UNCONTROLLED</p> <p>THIS DRAWING IS GENERATED FROM A 3D SOLID MODEL AND MUST BE ACCOMPANIED BY THE MODEL FOR COMPLETE DOCUMENTATION</p>	<p>BLOCK TOLERANCES APPLY TO METRIC UNITS ONLY. DUAL DIMENSIONS IF SHOWN ARE FOR REFERENCE ONLY AND ARE DISPLAYED IN 3 PLACES FOR CONVERSION PURPOSES ONLY.</p> <p>PRODUCTION DRAWING REVISION CONTROLLED DOCUMENT</p>	<p>UNITS: MM</p> <p>TOLERANCES:</p> <p>.X = ± .4 .XX = ± .20 .XXX = ± .10</p>	<p>Laird</p> <p>3RD ANGLE PROJECTION </p> <p>DESIGNED IN PRO/ENGINEER</p> <p>SCALE: 3.000 SHEET 1 OF 2</p>	<p>MATERIAL / TEMPER:</p> <p>1008/1010 PRE-PLATED COLD ROLLED STEEL 1/2 HARD</p>	<p>PART DESCRIPTION:</p> <p>FRAME</p>	<p>PART NUMBER:</p> <p>BMI-S-203-F</p>		
		<p>ANGULAR:</p> <p>X.° = ± 3° X.X° = ± 1.0°</p>		<p>THICKNESS:</p> <p>.20MM ± .02MM</p>	<p>CUSTOMER:</p> <p>LAIRD CATALOG</p>	<p>MODELED BY:</p> <p>TW</p>	<p>DATE:</p> <p>08/22/14</p>	<p>REV: D</p>
		<p>FINISH:</p> <p>1.25-5.00 MICRONS 100% MATTE TIN</p>		<p>CUSTOMER PART NUMBER:</p> <p>-</p>	<p>REVISIONS:</p> <p>REV: TW</p>	<p>APPROVED BY:</p> <p>TW</p>	<p>DATE:</p> <p>08/22/14</p>	
		<p>INFORMATION CONTAINED IN THIS DOCUMENT IS CONFIDENTIAL AND PROPRIETARY TO LAIRD TECHNOLOGIES. IT MAY NOT BE DISCLOSED TO ANYONE WITHOUT WRITTEN AUTHORIZATION FROM LAIRD TECHNOLOGIES</p>						

REEL SPECIFICATIONS:	
REEL DIAMETER:	XXX MM
TAPE WIDTH:	XXX MM
OVER ALL REEL WIDTH:	XXX MM
PITCH:	XXX MM
PARTS PER REEL:	300



FOOTPRINT
SCALE 3.000



	PART DESCRIPTION: FRAME		PART NUMBER: BMI-S-203-F	
	CUSTOMER: LAIRD CATALOG		MODELED BY: TW	DATE: 08/22/14
3RD ANGLE PROJECTION	DESIGNED IN PRO/ENGINEER	SIZE: B	CUSTOMER PART NUMBER: -	REV: -
SCALE: 3.000	SHEET 2 OF 2		APPROVED BY: TW	DATE: 08/22/14
<small>INFORMATION CONTAINED IN THIS DOCUMENT IS CONFIDENTIAL AND PROPRIETARY TO LAIRD TECHNOLOGIES. IT MAY NOT BE DISCLOSED TO ANYONE WITHOUT WRITTEN AUTHORIZATION FROM LAIRD TECHNOLOGIES.</small>				