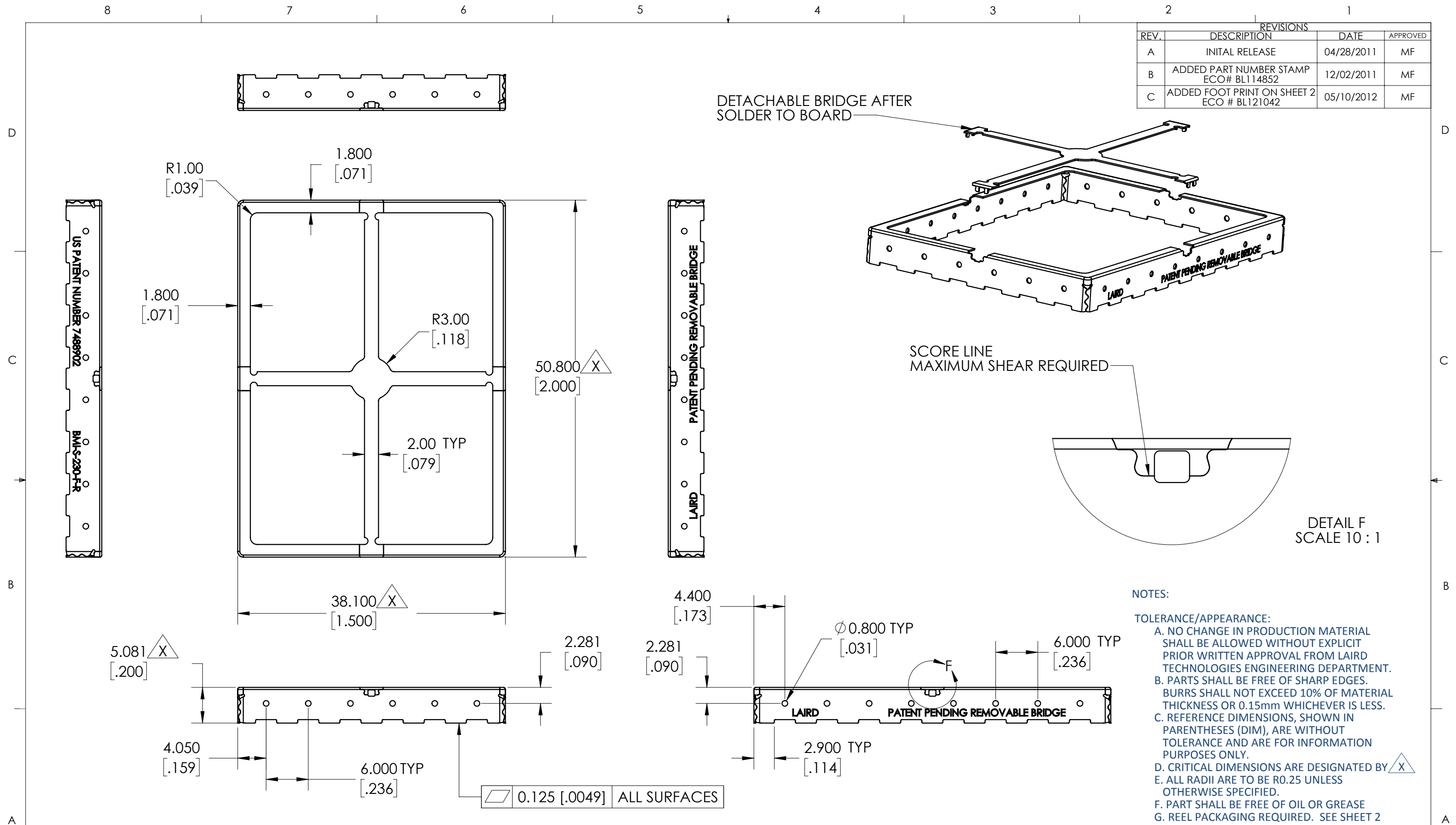


REVISIONS			
REV.	DESCRIPTION	DATE	APPROVED
A	INITIAL RELEASE	04/28/2011	MF
B	ADDED PART NUMBER STAMP ECO# BL114852	12/02/2011	MF
C	ADDED FOOT PRINT ON SHEET 2 ECO # BL121042	05/10/2012	MF



NOTES:

TOLERANCE/APPEARANCE:

A. NO CHANGE IN PRODUCTION MATERIAL SHALL BE ALLOWED WITHOUT EXPLICIT PRIOR WRITTEN APPROVAL FROM LAIRD TECHNOLOGIES ENGINEERING DEPARTMENT.

B. PARTS SHALL BE FREE OF SHARP EDGES. BURRS SHALL NOT EXCEED 10% OF MATERIAL THICKNESS OR 0.15mm WHICHEVER IS LESS.

C. REFERENCE DIMENSIONS, SHOWN IN PARENTHESES (DIM), ARE WITHOUT TOLERANCE AND ARE FOR INFORMATION PURPOSES ONLY.

D. CRITICAL DIMENSIONS ARE DESIGNATED BY $\triangle X$

E. ALL RADII ARE TO BE R0.25 UNLESS OTHERWISE SPECIFIED.

F. PART SHALL BE FREE OF OIL OR GREASE

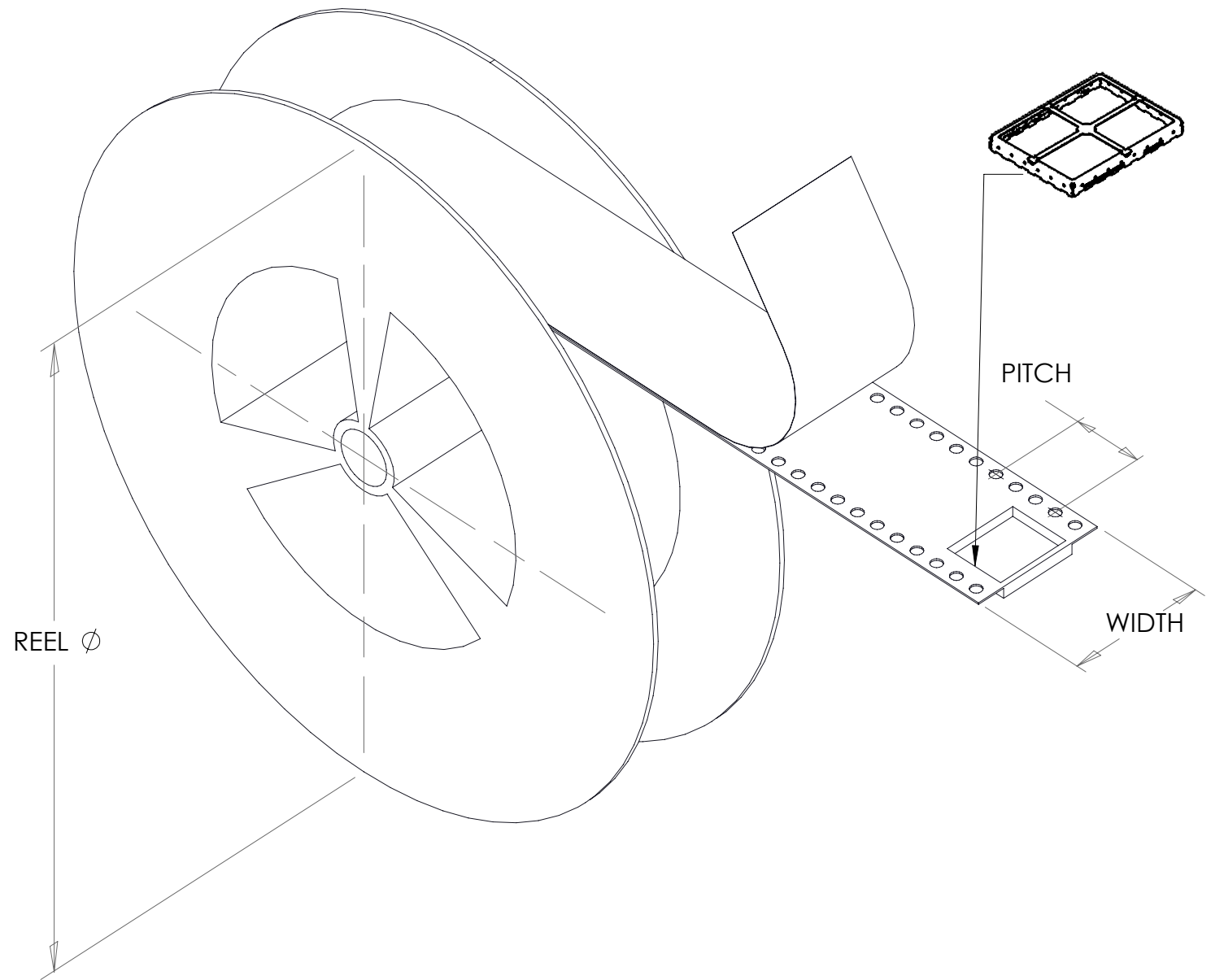
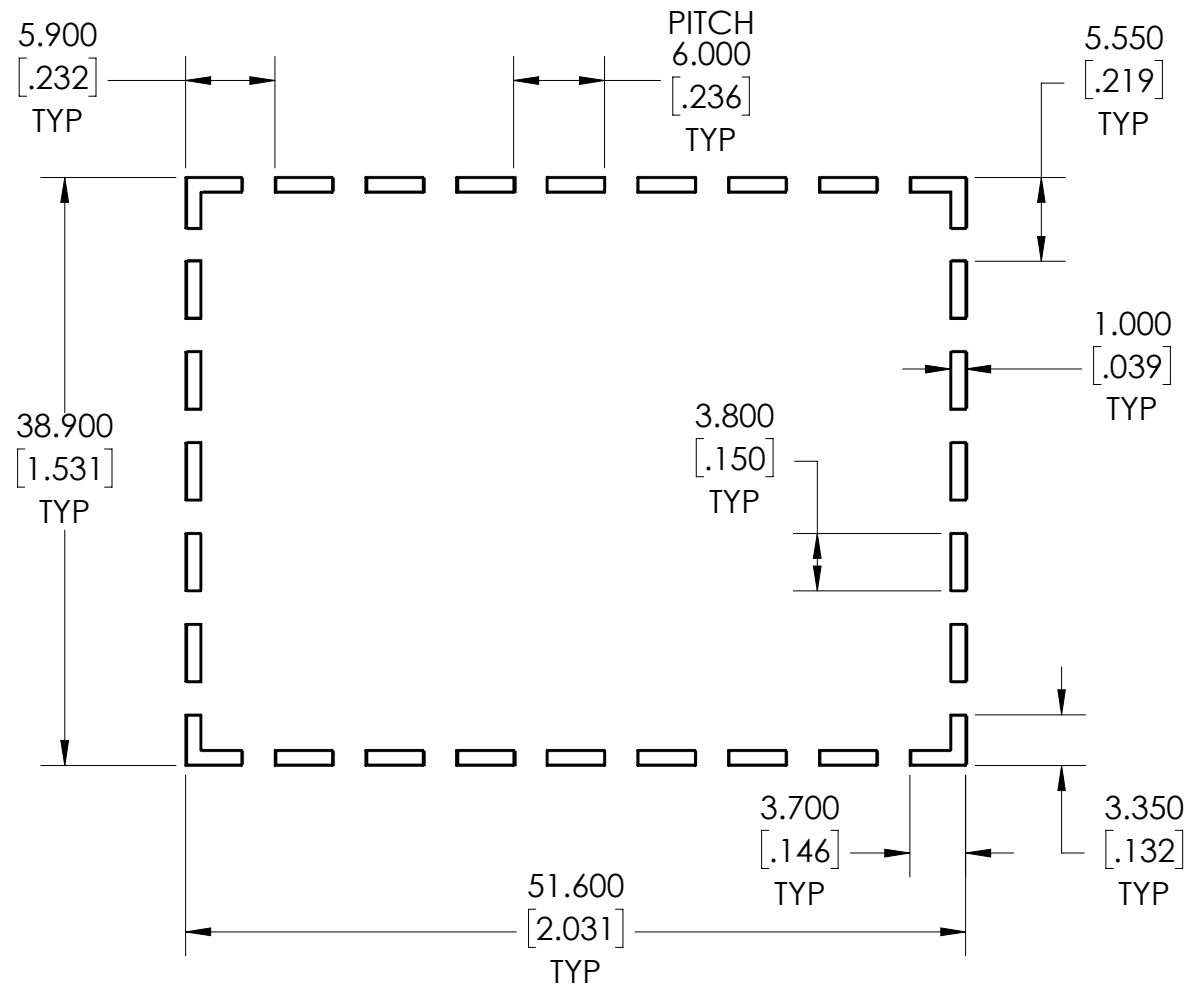
G. REEL PACKAGING REQUIRED. SEE SHEET 2

This 2d drawing is generated from a 3d solid model. Refer to 3d model for any dimensions not shown on this drawing. 3d model dimensions will always take precedent over drawing dimensions. CAD MAINTAINED DRAWING. MANUAL CHANGES UNAUTHORIZED	Block tolerances apply to metric units only. Dual dimensions shown are for reference only and are displayed in 3 places for conversion purposes only. STD PART REFERENCE:	UNITS: MM (INCH)		MATERIAL: 1008/1010 CRS 1/2 HARD	THICKNESS: 0.20 ± 0.020 [0.0079 ± 0.0008]	PART NUMBER: BMI-S-230-F-R	REV: C	DATE: 04/28/2011
		TOLERANCES: .X = ± .4 .XX = ± .2 .XXX = ± .1		FINISH: 1.25-5.00 MICRONS THICK 100% MATTE TIN	PRODUCTION DRAWING CONTROLLED DOCUMENT	INFORMATION CONTAINED IN THIS DOCUMENT IS CONFIDENTIAL AND PROPRIETARY TO LAIRD TECHNOLOGIES. IT MAY NOT BE DISCLOSED TO ANYONE WITHOUT WRITTEN AUTHORIZATION FROM LAIRD TECHNOLOGIES	MODEL/DRAWN BY: MF	APPROVED BY: MF
ANGULAR: X.X° = ± 3.0° X.XX° = ± 1.0°	DESIGNED IN SOLIDWORKS	ROHS COMPLIANT: (BASE PART) YES	SCALE: 2:1	SHEET 1 OF 2				

REEL SPECS FOR REFERENCE ONLY

- REEL SPECIFICATIONS:
- 1) REEL DIAMETER: 381 MM
 - 2) TAPE WIDTH: 72 MM
 - 3) OVER ALL REEL WIDTH 77 MM
 - 4) PITCH: 36 MM
 - 5) PARTS PER REEL: 250

* SOLDER FOOT PRINT *



This 2d drawing is generated from a 3d solid model. Refer to 3d model for any dimensions not shown on this drawing. 3d model dimensions will always take precedent over drawing dimensions.	Block tolerances apply to metric units only. Dual dimensions shown are for reference only and are displayed in 3 places for conversion purposes only.	UNITS: MM (INCH)		MATERIAL:	THICKNESS:	PART NUMBER :	REV: C	DATE: 04/28/2011
		TOLERANCES: N/A		SEE SHEET ONE	SEE SHEET ONE	BMI-S-230-F-R	MODEL/DRAWN BY: MF	APPROVED BY: MF
CAD MAINTAINED DRAWING. MANUAL CHANGES UNAUTHORIZED	STD PART REFERENCE:	ANGULAR: N/A		FINISH:	PRODUCTION DRAWING CONTROLLED DOCUMENT	INFORMATION CONTAINED IN THIS DOCUMENT IS CONFIDENTIAL AND PROPRIETARY TO LAIRD TECHNOLOGIES. IT MAY NOT BE DISCLOSED TO ANYONE WITHOUT WRITTEN AUTHORIZATION FROM LAIRD TECHNOLOGIES		SIZE B
			DESIGNED IN SOLIDWORKS	SEE SHEET ONE	ROHS COMPLAINT: (BASE PART) YES	SCALE: NTS	SHEET 2 OF 2	