

RF433T

SKU:U114



SYN115
ASK modulation
Output Power to 10dBm
Transmission rate: 10Kbps
Working Frequency: 433.92MHz

GPIO
INTERFACE

Description

RF433T is a radio frequency (RF) transmitter, using SYN115 radio frequency transmitter IC, working frequency is 433.92MHz (using ASK modulation) commonly used by wireless controllers, built-in PCB antenna, stable signal transmission distance up to 10M, The output power reaches 10dBm. The exquisite and compact housing design can be embedded in a variety of radio frequency remote control applications. It is suitable for security alarm, wireless automatic meter reading, home and industrial automation, remote remote control, wireless data transmission and other system fields.

Product Features

- Working frequency: 433.92MHz
- Data transmission rate 10kbps (ASK modulation)
- Output power 10dBm
- PCB antenna

Include

- 1x RF433T Unit
- 1x HY2.0-4P Cable

Applications

- Building Automation
- Security alarm
- Home and industrial automation
- Remote control
- Wireless data transmission and other system fields

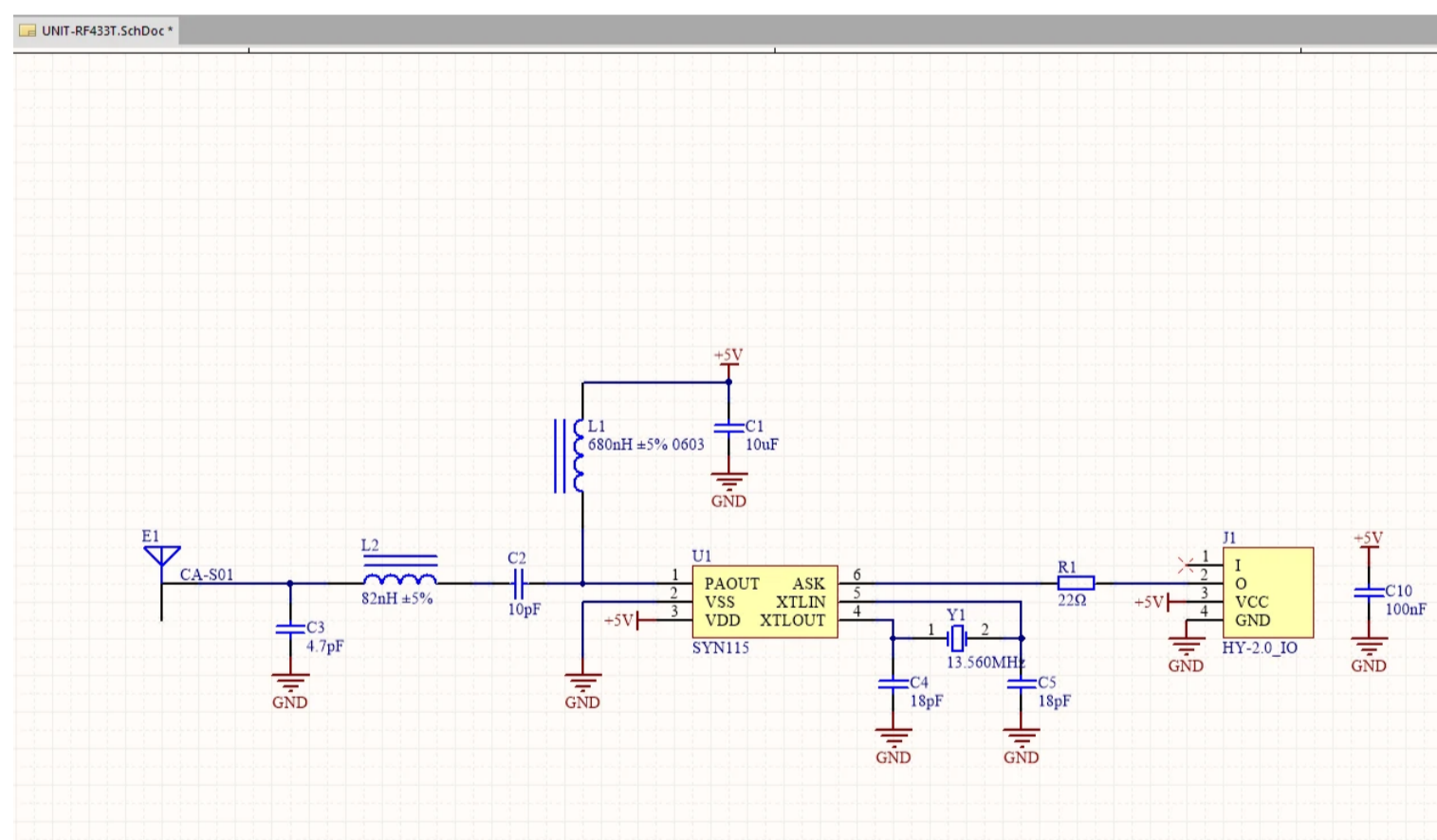
Specification

Resources	Parameter
Transmitter IC	SYN115
Working current	12mA
Stable communication distance	10M
Output Power	10dBm
Antenna type	PCB antenna
Net weight	6g
Gross weight	21g
Product Size	48*24*8mm
Package Size	67*53*12mm

Related Link

- [Datasheet](#)
- [SYN115](#)

Schematic



PinMap

M5Core (PORT B)	GPIO26	5V	GND
RF433T	TX	5V	GND

Example

Arduino

- [RF433 T/R Example](#)

| Video
