

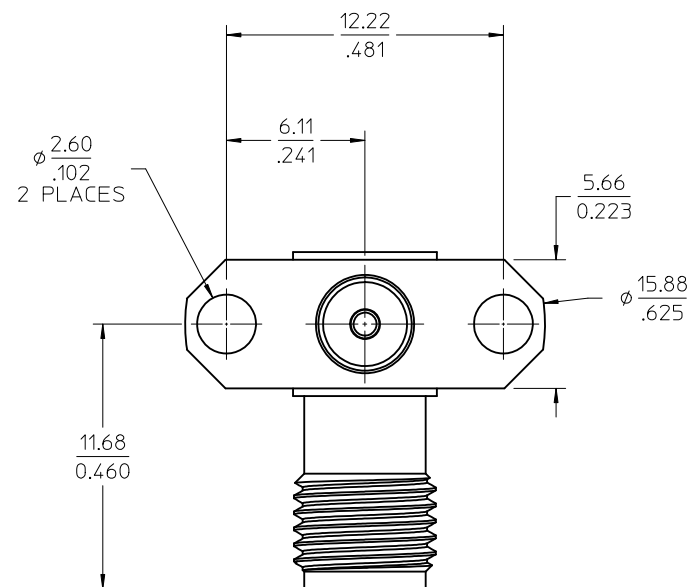
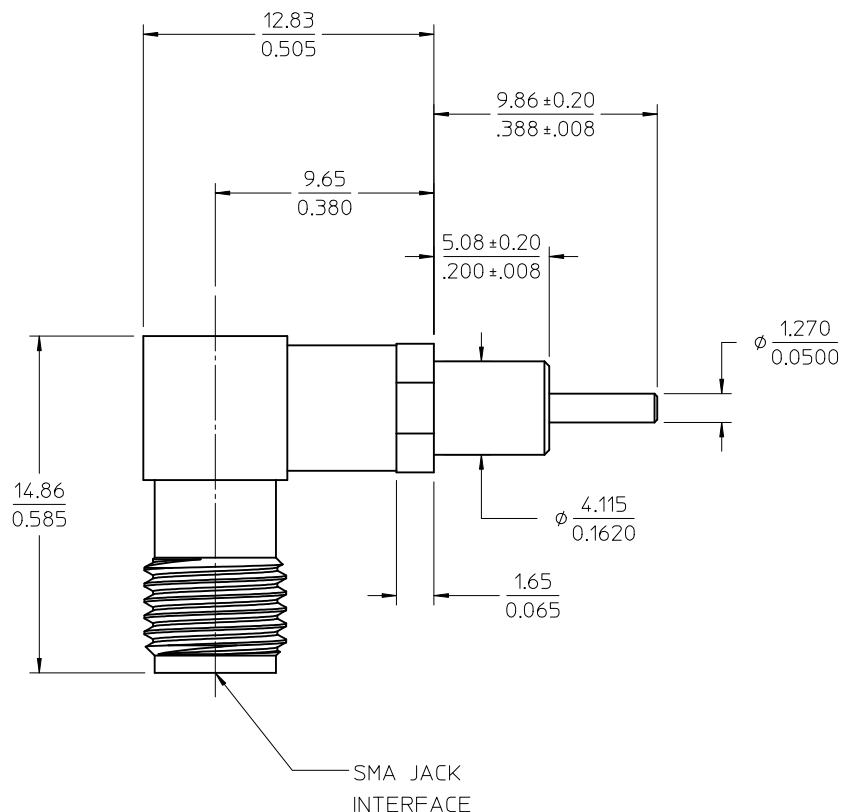
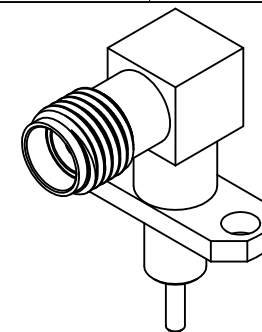
MATERIALS AND FINISHES

BODY: BRASS
PLATED GOLD

CENTER CONTACT: BERYLLIUM COPPER/BRASS
PLATED GOLD

INSULATORS TEFLON

CAP: BRASS
PLATED GOLD



PART # 73251-3750

MIL-STD-348A, FIG. 310.2	INTERFACE
SPECIFICATION	DESCRIPTION

CHG: UPDATED VIEW OF REVISED REAR CONTACT.	EC NO: URF2011-0218	DRWN:ROBERTSON	2010/10/14
CHKD:SSS	APPR:JWIENER	2010/10/25	

QUALITY SYMBOLS	GENERAL TOLERANCES (UNLESS SPECIFIED)
▽=0	mm INCH
▽=0	4 PLACES ± .001
	3 PLACES ± .005
	2 PLACES ± .01
	1 PLACE ± .1
	ANGULAR ± 1/2°

DRAWN BY	DATE	TITLE
AZR	2009/05/19	SMA JACK RA 2 HOLE FLANGE CANDLESTICK SMA-JR/RA, EWR-4108
CHECKED BY	DATE	
SSS	2009/05/19	
APPROVED BY	DATE	
JWIENER	2010/10/25	
MATERIAL NO.	DOCUMENT NO.	
732513750	SD-73251-375	

SCALE	DESIGN UNITS	THIRD ANGLE PROJECTION
	INCH	

MATERIAL NO.	DOCUMENT NO.	SHEET NO.
732513750	SD-73251-375	1 OF 1

DRAFT WHERE APPLICABLE MUST REMAIN WITHIN DIMENSIONS

THIS DRAWING CONTAINS INFORMATION THAT IS PROPRIETARY TO MOLEX INCORPORATED AND SHOULD NOT BE USED WITHOUT WRITTEN PERMISSION