

MATERIALS AND FINISHES

BODY BRASS
PLATED GOLD

HOUSING BRASS
PLATED GOLD

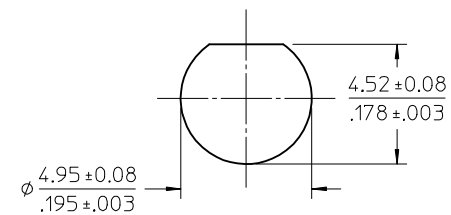
CENTER CONTACT PHOSPHOR BRONZE
PLATED GOLD

INSULATOR TEFLON

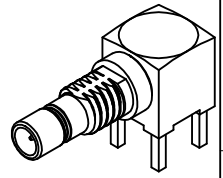
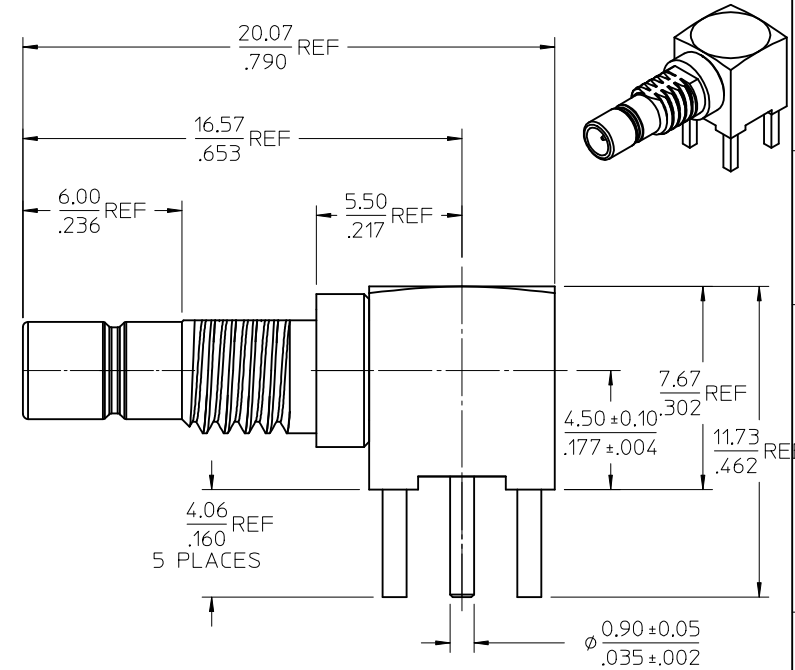
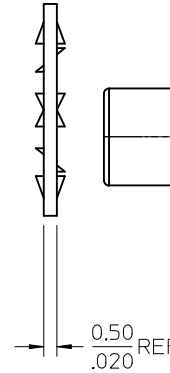
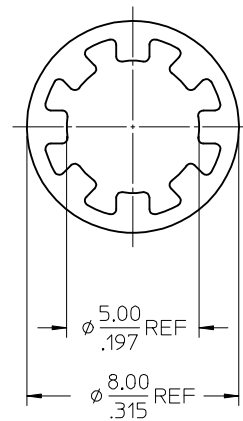
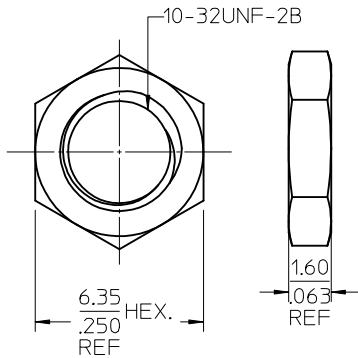
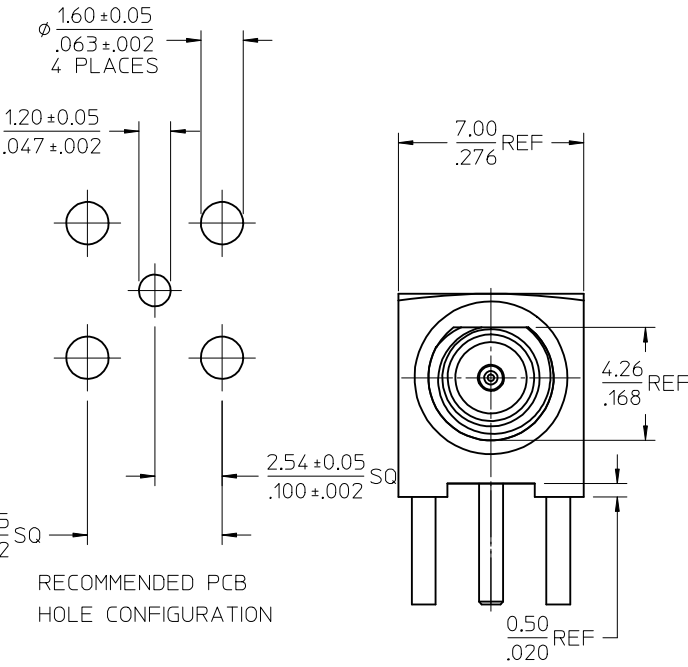
JAM NUT BRASS
PLATED GOLD

LOCK WASHER PHOSPHOR BRONZE
PLATED GOLD

RECOMMENDED PCB HOLE CONFIGURATION



RECOMMENDED MOUNTING HOLE
MAXIMUM PANEL THICKNESS 3.7MM
RECOMMENDED MOUNTING TORQUE
4.5 INCH-POUNDS MAX.



PART # 73404-6320

ES-73599-0000-013	INTERFACE DIMENSION
PS-73598-0099	PRODUCT SPECIFICATION
SPECIFICATION	DESCRIPTION

RTM PDR14041588 EC NO: URF2014-0598 DRWNLIN 2014/04/15 CHKD: APPR:MHUANG 2014/05/07	DESCRIPTION	QUALITY SYMBOLS	GENERAL TOLERANCES (UNLESS SPECIFIED)		DIMENSION STYLE	SCALE	DESIGN UNITS	THIRD ANGLE PROJECTION
			mm	INCH	MM/IN	1:1	METRIC	☉
REV	DESCRIPTION	▽=0	4 PLACES ±	±	DRAWN BY	DATE	TITLE	
A		▽=0	3 PLACES ±	±	EL IN	2014/04/15	SMB JACK R/A 50 OHMS PCB	
		▽=0	2 PLACES ±	±	CHECKED BY	DATE	SMB-J/PCB	
		▽=0	1 PLACE ±	±	KERRIE	2014/04/15		
			0 PLACE ±	±	APPROVED BY	DATE		
					MHUANG	2014/05/07		
			ANGULAR ± 2 °		MATERIAL NO.	DOCUMENT NO.		SHEET NO.
			DRAFT WHERE APPLICABLE MUST REMAIN WITHIN DIMENSIONS		734046320	SD-73404-632		1 OF 1
THIS DRAWING CONTAINS INFORMATION THAT IS PROPRIETARY TO MOLEX INCORPORATED AND SHOULD NOT BE USED WITHOUT WRITTEN PERMISSION								