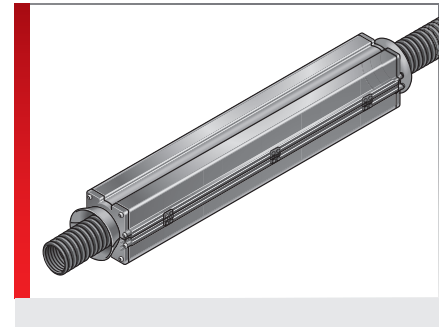
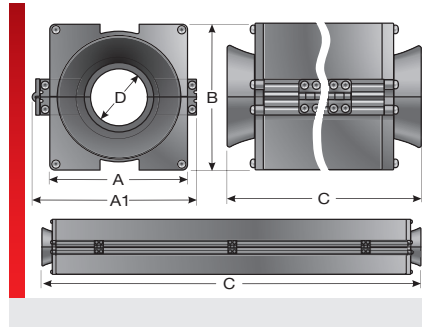


R-Tec Liner



PRODUCT INFORMATION

With the R-Tec Liner, Murrplastik has succeeded in creating a new linear system for the optimum guidance of energy packages from axis 3 to axis 6 on industrial robots. In the specially manufactured aluminium housing with the integrated and patented spring return system, the energy package is guided effectively and with low wear.

- extremely strong aluminium housing

- the system can be installed without base plate on selected robots
- Compact design
- highest holding times
- quick and easy replacement of the dresspack
- closed system; the guidance system is protected from ingress of dirt
- preferred for conduit harnesses from axis 1-6

SPECIFICATIONS

	Aluminium mod. polypropylene
	-40 – 140 °C short term 160 °C
	acc. to UL94 V2

Type	Order No.	Colour	Suitable for EW-PAE	Suitable for EWX-PAE	A mm	A1 mm	B mm	C mm	Stroke mm	Pack qty.
R-Tec Liner 400mm EW 36 - 140N ¹⁾	83693060	Black	M40/P36		127.00	177.00	125.00	655.00	400.00	1
R-Tec Liner 400mm EWX 36 - 140N ¹⁾	83693062	Black		M40/P36	127.00	177.00	125.00	655.00	400.00	1
R-Tec Liner 400mm EW 48 - 140N ¹⁾	83693064	Black	M50/P48		127.00	177.00	125.00	655.00	400.00	1
R-Tec Liner 400mm EWX 48 - 140N ¹⁾	83693066	Black		M50/P48	127.00	177.00	125.00	655.00	400.00	1
R-Tec Liner 350mm EW/EWX 56 ²⁾	83693076	Black	NW 56	56 Jumbo	150.00	195.00	150.00	655.00	350.00	1
R-Tec Liner 550mm EW/EWX 56 ²⁾	83693078	Black	NW 56	56 Jumbo	150.00	195.00	150.00	855.00	550.00	1
R-Tec Liner 350mm EW/EWX 70 ²⁾	83693080	Black	NW 70	70 Jumbo	150.00	195.00	150.00	655.00	350.00	1
R-Tec Liner 550mm EW/EWX 70 ²⁾	83693082	Black	NW 70	70 Jumbo	150.00	195.00	150.00	855.00	550.00	1
R-Tec Liner 350mm EW/EWX 80 - 200N ²⁾	83693084	Black	NW 80	80 Jumbo	175.00	215.00	185.00	655.00	350.00	1
²⁾	83693085	Black	NW 80	80 Jumbo	175.00	215.00	185.00	655.00	350.00	1
R-Tec Liner 550mm EW/EWX 80 - 200N ²⁾	83693086	Black	NW 80	80 Jumbo	175.00	215.00	185.00	855.00	550.00	1
²⁾	83693087	Black	NW 80	80 Jumbo	175.00	215.00	185.00	655.00	550.00	1
R-Tec Liner 350mm EW/EWX 95 - 200N ²⁾	83693088	Black	NW 95	95 Jumbo	175.00	215.00	185.00	655.00	350.00	1
²⁾	83693089	Black	NW 95	95 Jumbo	175.00	215.00	185.00	655.00	350.00	1
R-Tec Liner 550mm EW/EWX 95 - 200N ²⁾	83693090	Black	NW 95	95 Jumbo	175.00	215.00	185.00	855.00	550.00	1
²⁾	83693091	Black	NW 95	95 Jumbo	175.00	215.00	185.00	655.00	550.00	1

¹⁾ System plates of R-Tec Box 36/48 will fit R-Tec Liner 36/48

²⁾ System plates of R-Tec Box 56/70 will fit R-TecLiner 56/70 as well as R-TecLiner 80/95

MATERIAL PROPERTIES

	Aluminium mod. polypropylene
--	---------------------------------

R-Tec Liner

THERMAL PROPERTIES



Temperature / temperature range
-40 – 140 °C short term 160 °C

FIRE PROPERTIES



Fire classification
acc. to UL94 V2

TECHNICAL INFORMATION



Halogen-free



Silicone-free

CONFORMITY



RoHS (EC Directive 2011/65/EU)

APPROVALS AND OPERATING PERMITS



ROBI approval



Made in Germany

All details given in our sales brochures and catalogues, as well as the information available online, are based on our current knowledge of the products described.

The electronic data and files made available by Murrplastik, particularly CAD files are based on our current knowledge of the product described.

A legally binding assurance of certain properties or the suitability for a certain purpose can not be determined from this information.

All information with respect to the chemical and physical properties of Murrplastik products, as well as application advice given verbally, in writing or by tests, is given to the best of our knowledge.

This does not free the purchaser of carrying out their own inspections and tests in order to determine the suitability of a product for a specific purpose.

Murrplastik accepts no responsibility for the available information being up-to-date, correct or complete. Neither do we accept responsibility for the quality of this information.

Murrplastik accepts no liability for damage caused as a result of using our products.

Murrplastik reserves the right to make technical changes and improvements through constant further development of products and services.

Our General Terms and Conditions apply.