

NMB SLEEVE BEARING 03510SS-05x (35[□] x 10[□])

NMBTC.COM / 248.919.2250

DC Axial Fans

General Specifications

Motor Protection:

Auto Restart/Polarity Protection

Insulation Resistance:

10M Ω or over with a DC500V Megger

Dielectric Withstand Voltage: AC 700V 1s or AC 500V 1min

Allowable Ambient Temperature Range:

-10°C ~ +70°C (Operating)

-40°C ~ +70°C (Storage)

(non-condensing environment)

Expected Life

40°C 30,000 Hours (L10)

Material

Casing : Plastic (Black) UL94V-0

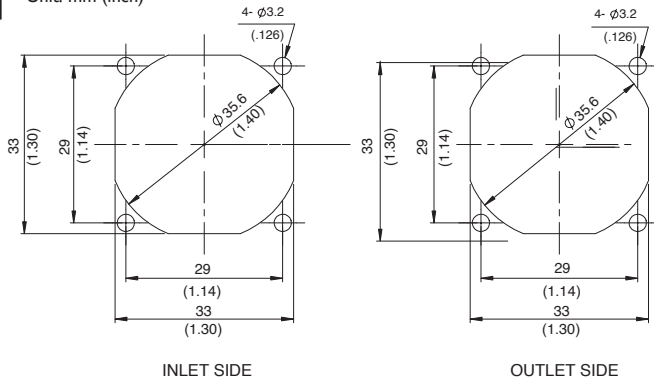
Impeller : Plastic (Black) UL94V-0

Bearing : Sleeve Bearing

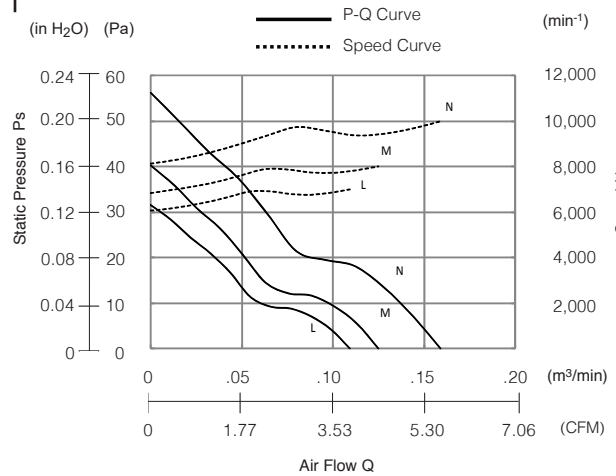
Lead Wire : UL1061, AWG26, +Red, -Black, (tach) White

Panel Cut-Outs

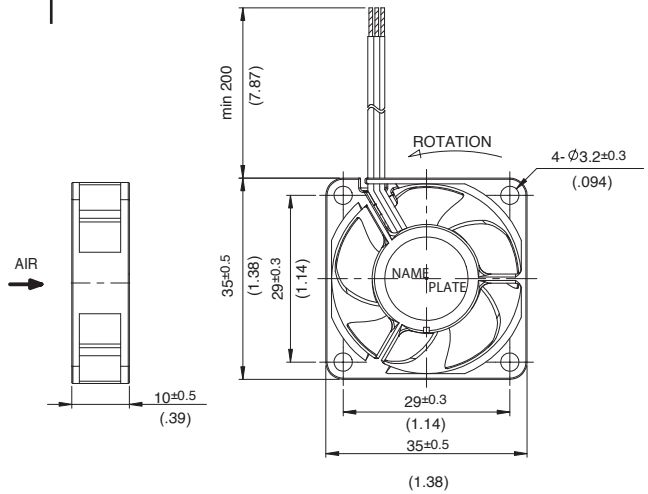
Unit: mm (inch)



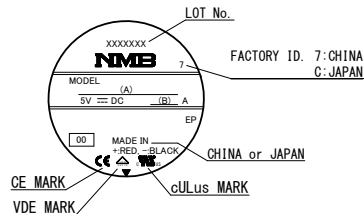
Characteristic Curves



Outline



Name Plate



	(A)	(B)
Model Name	Current	
03510SS-05L-AT	0.13	
03510SS-05M-AT	0.16	
03510SS-05N-AT	0.28	

Specifications

MODEL	Rated Voltage	Operating Voltage	Current	Input Power	Speed	Max. Air Flow		Max. Static Pressure		Noise	Mass
	(V)	(V)	(A) ^{*1}	(W) ^{*1}	(min ⁻¹) ^{*1}	(CFM)	(m ³ /min)	(in H ₂ O)	(Pa)	(dB) ^{*1}	(g)
03510SS-05L-AT-00	5	4.5 ~ 5.5	0.08	0.40	7000	3.88	0.11	0.12	30.9	19.0	10.5
03510SS-05M-AT-00	5	4.5 ~ 5.5	0.12	0.60	8000	4.24	0.12	0.16	39.4	22.4	10.5
03510SS-05N-AT-00	5	4.5 ~ 5.5	0.20	1.00	10000	5.65	0.16	0.23	56.3	27.0	10.5

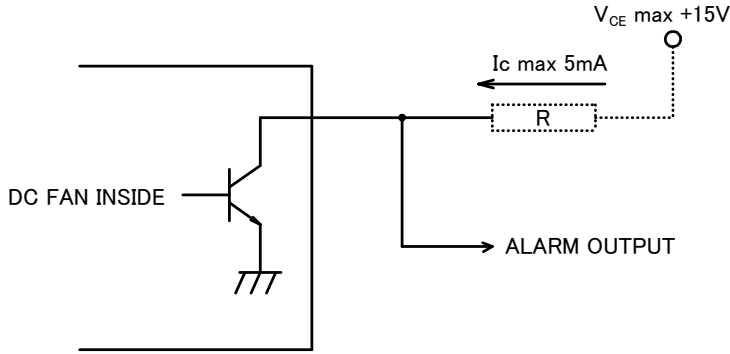
*1: Average Values in Free Air

Note: Locked Rotor/Tach Available

TACHO Specification

TACHOMETER SIGNAL

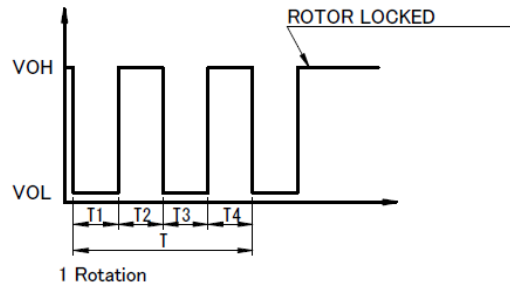
1. OUTPUT CIRCUIT : OPEN COLLECTOR
2. SPECIFICATION
 Absolute Maximum Ratings at Ta=25°C
 V_{CE} max : +15V
 I_c max : 5mA [V_{CE(sat)}max = 0.5V]



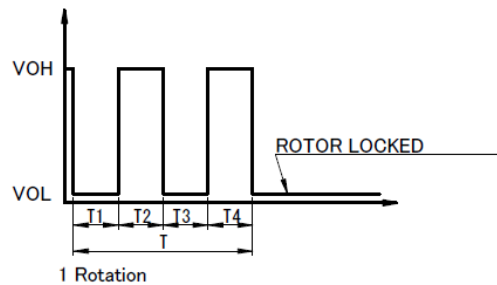
ALARM SIGNAL CIRCUIT

3. OUTPUT WAVEFORM : AT RATED VOLTAGE OUTPUT SIGNAL VOLTAGE

3-1 Case-1



3-2 Case-2



- 1) When the rotor is locked at VOH position of signal, signal keeps VOH position.
- 2) When the rotor is locked at VOL position of signal, signal keeps VOL position.
- 3) $T = T1 + T2 + T3 + T4 = 60 / m = 1 \text{ rotation}$

m : min - 1

Tach Duty Cycle = 50% ± 10%