

General Specifications

Motor Protection:

Auto Restart/Polarity Protection

Insulation Resistance:

10M Ω or over with a DC500V Megger

Dielectric Withstand Voltage: AC 700V 1s

Allowable Ambient Temperature Range:

-10°C ~ +70°C (Operating)

-40°C ~ +70°C (Storage)

(non-condensing environment)

Expected Life

40°C 40,000 Hours (L10)

Material

Casing : Plastic (Black) UL94V-0

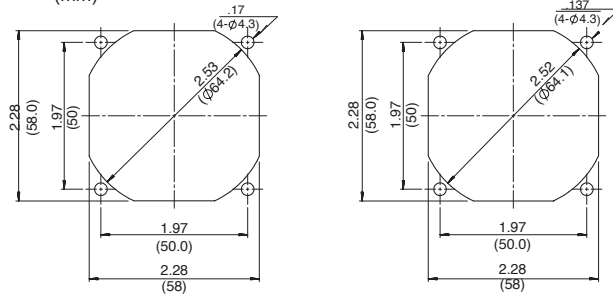
Impeller : Plastic (Black) UL94V-0

Bearing : Sleeve Bearing

Lead Wire : UL1061, AWG26, +Red, -Black,

Panel Cut-Outs

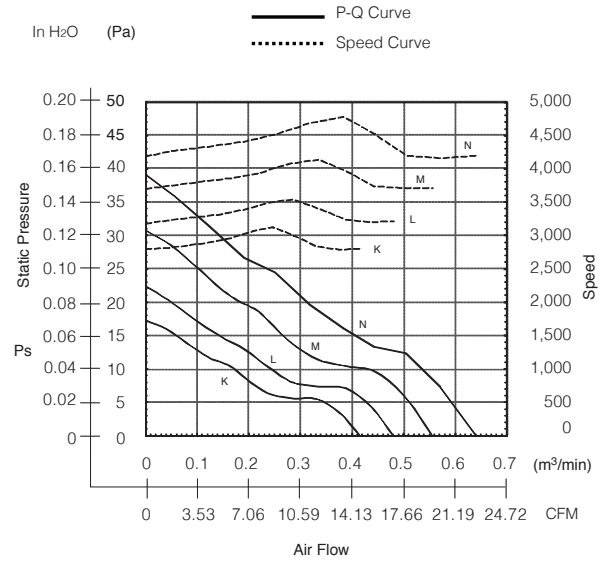
Units: inch (mm)



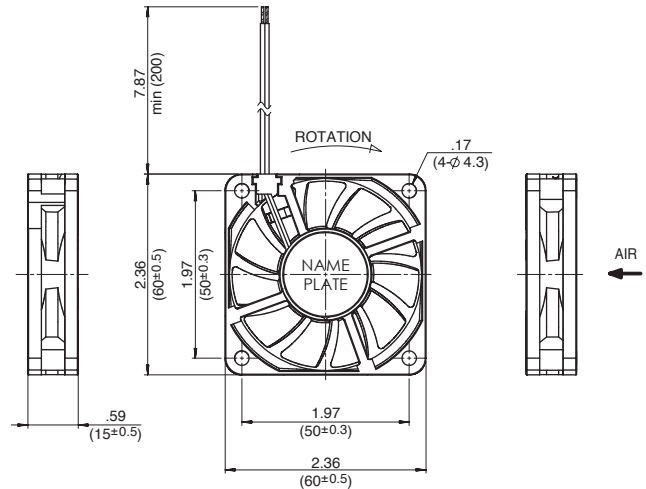
INLET SIDE

OUTLET SIDE

Characteristic Curves



Outline



Specifications

MODEL	Rated Voltage	Operating Voltage	Current	Input Power	Speed	Max. Air Flow		Max. Static Pressure		Noise	Mass
	(V)	(V)	(A) ^{*1}	(W) ^{*1}	(min ⁻¹) ^{*1}	CFM ^{*1}	(m ³ /min) ^{*1}	in H ₂ O	(Pa) ^{*1}	(dB) ^{*1}	(g)
06015SS-12K-AT-00	12	6.0 ~ 13.8	0.05	0.60	2800	14.83	.42	.07	17.3	23.0	37
06015SS-12L-AT-00	12	6.0 ~ 13.8	0.08	0.96	3200	16.95	.48	.09	22.4	26.0	37
06015SS-12M-AT-00	12	6.0 ~ 13.8	0.11	1.32	3700	19.78	.56	.12	30.8	30.0	37
06015SS-12N-AT-00	12	6.0 ~ 13.8	0.17	2.04	4200	22.60	.64	.16	38.8	34.0	37

Rotation: Clockwise

Airflow Outlet: Air Out Over Struts

*1: Average Values in Free Air

Note: PWM/Locked Rotor/Tach Available

Specifications

MODEL	Rated Voltage	Operating Voltage	Current	Input Power	Speed	Max. Air Flow		Max. Static Pressure		Noise	Mass
	(V)	(V)	(A) ^{*1}	(W) ^{*1}	(min ⁻¹) ^{*1}	CFM ^{*1}	(m ³ /min) ^{*1}	in H ₂ O	(Pa) ^{*1}	(dB) ^{*1}	(g)
06015SS-24K-AT-00	24	15.0 ~ 26.4	0.04	0.96	2800	14.83	.42	.07	17.3	23.0	37
06015SS-24L-AT-00	24	10.0 ~ 26.4	0.05	1.20	3200	16.95	.48	.09	22.4	26.0	37
06015SS-24M-AT-00	24	10.0 ~ 26.4	0.06	1.44	3700	19.78	.56	.12	30.8	30.0	37
06015SS-24N-AT-00	24	10.0 ~ 26.4	0.10	2.40	4200	22.60	.64	.16	38.8	34.0	37

Rotation: Clockwise

Airflow Outlet: Air Out Over Struts

*1: Average Values in Free Air

Note: PWM/Locked Rotor/Tach Available