

General Specifications

Motor Protection:

Auto Restart/Polarity Protection

Insulation Resistance:

10M Ω or over with a DC500V Megger

Dielectric Withstand Voltage: AC 700V 1s

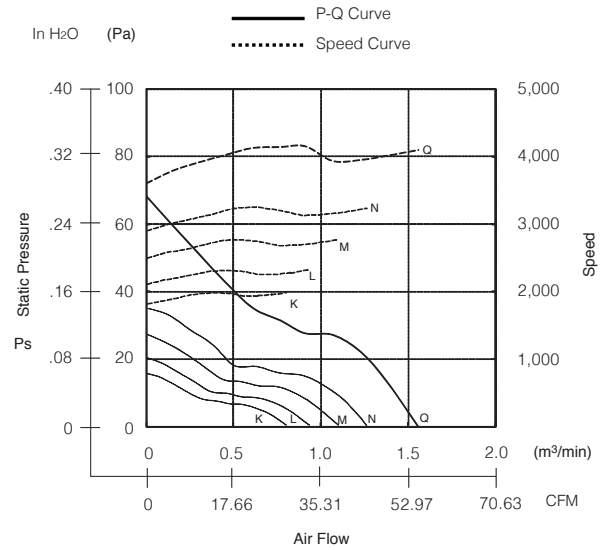
Allowable Ambient Temperature Range:

K ~ M Class: -10°C ~ +70°C (Operating)

N ~ Q Class: -10°C ~ +60°C (Operating)

All Class: -40°C ~ +70°C (Storage)
(non-condensing environment)

Characteristic Curves



Expected Life

40°C 50,000 Hours (L10)

Material

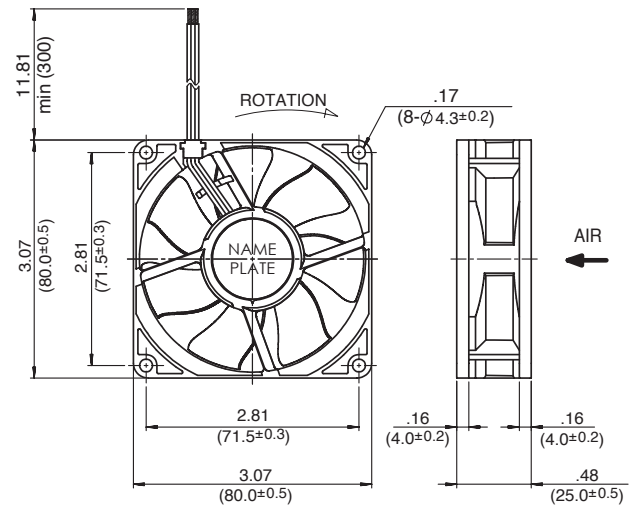
Casing : Plastic (Black) UL94V-0

Impeller : Plastic (Black) UL94V-0

Bearing : Sleeve Bearing

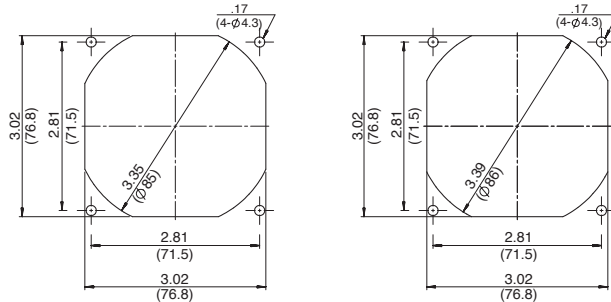
Lead Wire : UL1007, AWG26, +Red, -Black, (tach) White

Outline



Panel Cut-Outs

Units: inch (mm)



INLET SIDE

OUTLET SIDE

Specifications

MODEL	Rated Voltage	Operating Voltage	Current	Input Power	Speed	Max. Air Flow		Max. Static Pressure		Noise	Mass
	(V)	(V)	(A) ^{*1}	(W) ^{*1}	(min ⁻¹) ^{*1}	CFM ^{*1}	(m ³ /min) ^{*1}	in H ₂ O	(Pa) ^{*1}	(dB) ^{*1}	(g)
08025SS-12K-AT-D0	12	6.0 ~ 13.8	0.06	0.72	2000	26.13	0.74	.07	16.5	19.0	80
08025SS-12L-AT-D0	12	6.0 ~ 13.8	0.08	0.96	2300	30.37	0.86	.09	21.5	22.0	80
08025SS-12M-AT-D0	12	6.0 ~ 13.8	0.11	1.32	2700	36.02	1.02	.12	29.0	26.0	80
08025SS-12N-AT-D0	12	6.0 ~ 13.8	0.16	1.92	3100	41.32	1.17	.15	37.5	30.0	80

Rotation: Clockwise

Airflow Outlet: Air Out Over Struts

*1: Average Values in Free Air

Note: PWM/Locked Rotor/Tach Available

Specifications

MODEL	Rated Voltage	Operating Voltage	Current	Input Power	Speed	Max. Air Flow		Max. Static Pressure		Noise	Mass
	(V)	(V)	(A) ^{*1}	(W) ^{*1}	(min ⁻¹) ^{*1}	CFM ^{*1}	(m ³ /min) ^{*1}	in H ₂ O	(Pa) ^{*1}	(dB) ^{*1}	(g)
08025SS-24K-AT-D0	24	10.0 ~ 27.6	0.04	0.96	2000	26.13	0.74	.07	16.5	19.0	80
08025SS-24L-AT-D0	24	10.0 ~ 27.6	0.05	1.20	2300	30.37	0.86	.09	21.5	22.0	80
08025SS-24M-AT-D0	24	10.0 ~ 27.6	0.07	1.68	2700	36.02	1.02	.12	29.0	26.0	80
08025SS-24N-AT-D0	24	10.0 ~ 27.6	0.09	2.16	3100	41.32	1.17	.15	37.5	30.0	80
08025SS-24Q-AT-D0	24	10.0 ~ 26.4	0.21	5.04	4100	54.74	1.55	.27	68.0	39.5	80

Rotation: Clockwise

Airflow Outlet: Air Out Over Struts

*1: Average Values in Free Air

Note: PWM/Locked Rotor/Tach Available