

## General Specifications

### Motor Protection:

Auto Restart/Polarity Protection

### Insulation Resistance:

10M Ω or over with a DC500V Megger

### Dielectric Withstand Voltage: AC 700V 1s

### Allowable Ambient Temperature Range:

N ~ Q Class: -10°C ~ +70°C (Operating)

R Class: -10°C ~ +60°C (Operating)

All Class: -40°C ~ +70°C (Storage)  
(non-condensing environment)

IP Code: IP69K

## Expected Life

N, P Class: 25°C	100,000 Hours (L10)
Q, R Class: 25°C	80,000 Hours (L10)

## Material

Casing : Plastic (Black) UL94V-0

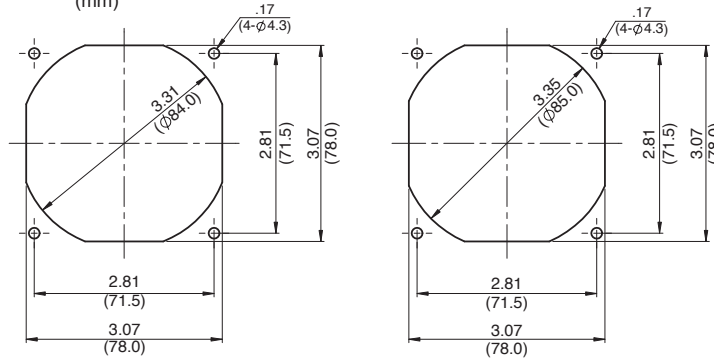
Impeller : Plastic (Black) UL94V-0

Bearing : Ball Bearing

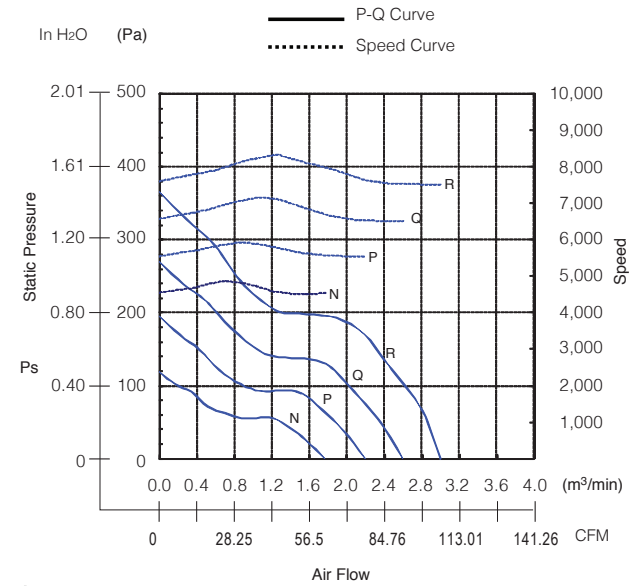
Lead Wire : ULHH Ì, AWG26, +Red, -Black, (tach) White

## Panel Cut-Outs

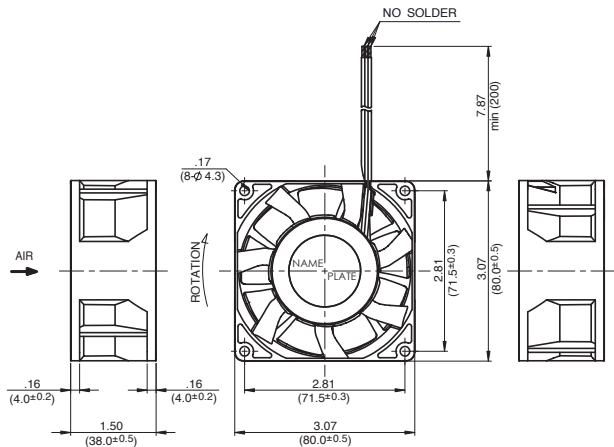
Units: inch (mm)



## Characteristic Curves



## Outline



## Specifications

MODEL	Rated Voltage	Operating Voltage	Current	Input Power	Speed	Max. Air Flow		Max. Static Pressure		Noise	Mass
	(V)	(V)	(A) <sup>*1</sup>	(W) <sup>*1</sup>	(min <sup>-1</sup> ) <sup>*1</sup>	CFM <sup>*1</sup>	(m <sup>3</sup> /min) <sup>*1</sup>	in H <sub>2</sub> O	(Pa) <sup>*1</sup>	(dB) <sup>*1</sup>	(g)
08038RA-24N-ÖA-00	24	14.0 ~ 27.6	0.22	5.28	4500	61.80	1.75	0.46	115.0	46.0	240
08038RA-24P-ÖA-00	24	14.0 ~ 27.6	0.40	9.60	5500	75.93	2.15	0.72	180.0	51.0	240
08038RA-24Q-ÖA-00	24	14.0 ~ 27.6	0.60	14.40	6500	91.82	2.60	1.04	260.0	56.0	240
08038RA-24R-ÖA-00	24	14.0 ~ 26.4	0.87	20.88	7500	105.94	3.00	1.43	355.0	59.5	240