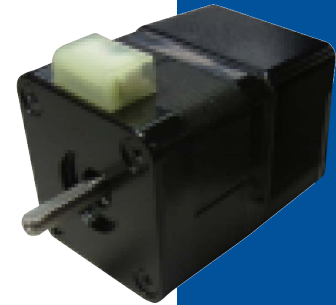
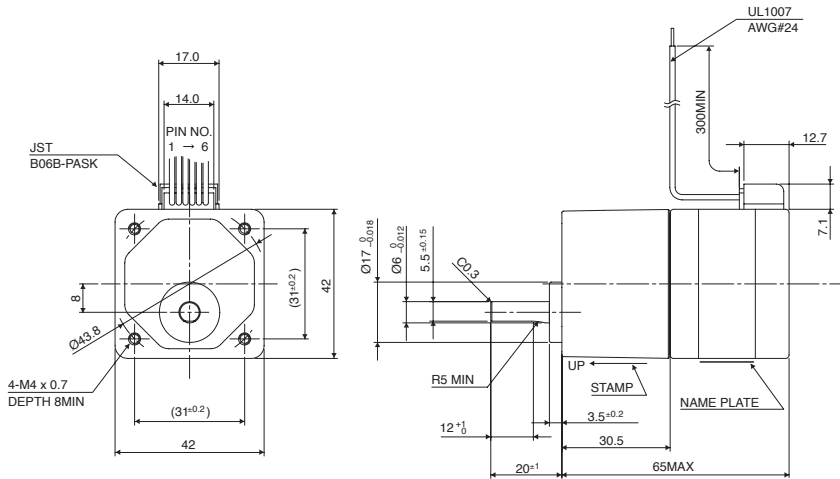


### Outline

### Gearbox Low Backlash



Hybrid

### General Specifications

Temperature Rise: 80°C MAX  
 Ambient Temperature Range: -10 °C ~ +50 °C  
 Insulation Resistance: 100MΩ MIN. DC500V  
 Dielectric Strength: AC500V 1min  
 Permissible Radial Load (at 10mm from shaft end): 19.6N (2kgf)  
 Permissible Thrust Load: 14.7N (1.5kgf)

### PIN NO. vs. PHASE

PHASE	A	A COM	$\bar{A}$	B	B COM	$\bar{B}$
PIN NO.	3	2	1	4	5	6

### Specifications

Model	Rated Current (A)	Resistance (Ohms)	Step Angle (deg)	Gear Ratio (1 : X)	Permissible Torque (Nm (kgf · cm))	Permissible Speed Range (r/min)	Backlash (min(deg))	Mass (g)
GT0036-17M000	1.0	3.1	0.5	1 : 3.6	0.35 (3.6)	0 ~ 500	45 (0.75)	340
GT0072-17M000	1.0	3.1	0.25	1 : 7.2	0.7 (7.1)	0 ~ 250	25 (0.417)	340
GT0100-17M000	1.0	3.1	0.18	1 : 10	1 (10.2)	0 ~ 180	25 (0.417)	340
GT0200-17M000	1.0	3.1	0.09	1 : 20	1.5 (15.3)	0 ~ 90	15 (0.25)	340
GT0300-17M000	1.0	3.1	0.06	1 : 30	1.5 (15.3)	0 ~ 60	15 (0.25)	340

\*Drive Sequence: Unipolar

\*Leadwires will be supplied with the motor

\*Direction of rotation of the motor and that of the gear output shaft are the same for the gear ratios 1:3.6, 1:7.2 and 1:10. It is the opposite for 1:20 and 1:30 gear ratio



## Torque/Speed Characteristics

Model No.: GT0300-17M000  
Supply Voltage: 24 V (DC)  
Current: 1.0A/Phase  
Step Angle: 0.06°/step

