

**MATERIALS**

**HOUSING:**

ALUMINUM 6061, NICKEL PLATE  
(500 MICRONS MINIMUM) PER  
SAE-AMS-2404

**INSULATOR:**

LIQUID CRYSTAL POLYMER (LCP)  
PER ASTM D5138

**CONTACT:**

COPPER ALLOY PER MIL-DTL-  
83513, GOLD PLATED PER ASTM  
B488, (HARD GOLD) TYPE II CODE  
C CLASS 1.27

**WIRE:**

NEMA HP3 TYPE E, COLOR CODED  
IAW MIL-STD-681, SYSTEM 1

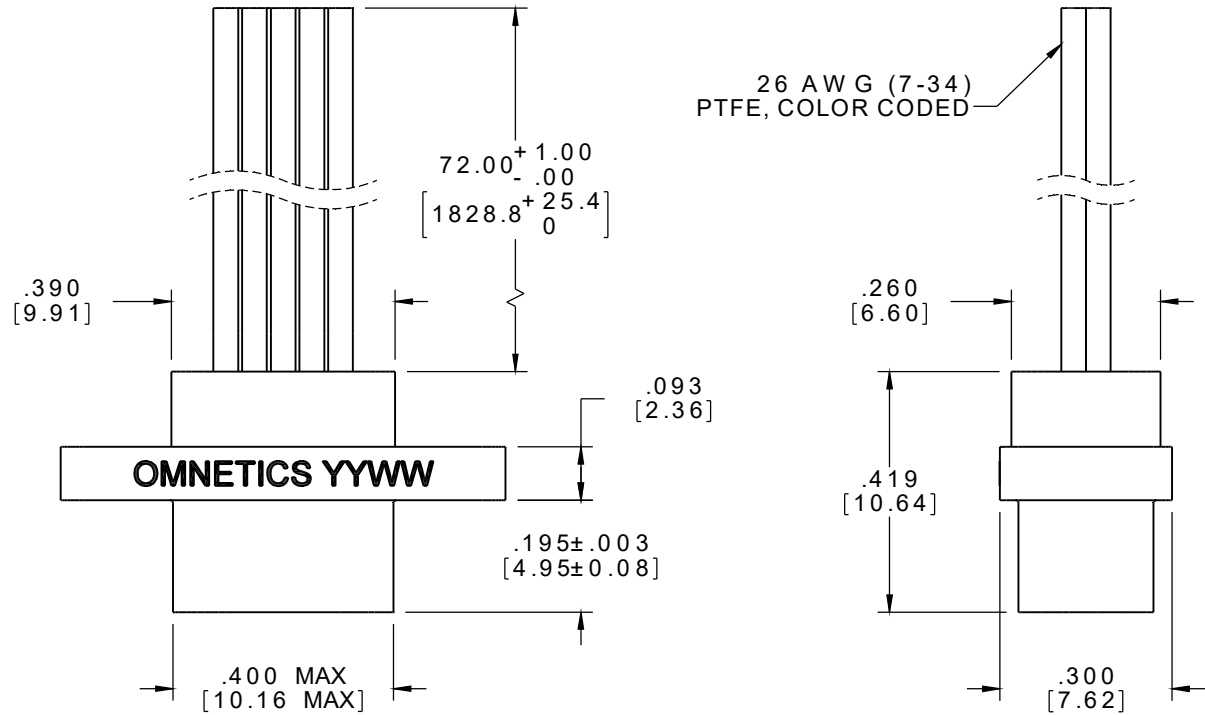
**INTERFACIAL SEAL:**

SILICONE RUBBER PER A-A-59588

**HARDWARE:**

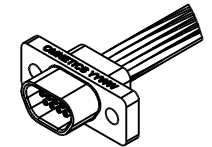
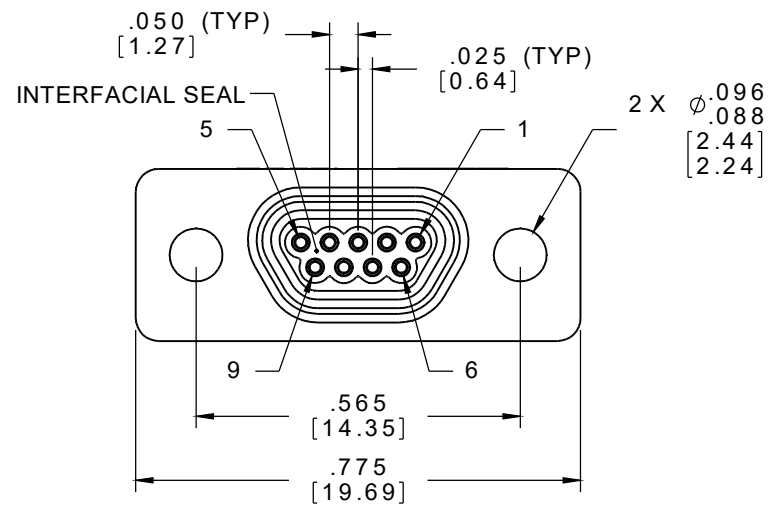
AVAILABLE UPON REQUEST

PART NO.	A99341-009	REV	ECO	DATE	APP
		A	104858	09-25-18	HV



26 AWG (7-34)  
PTFE, COLOR CODED

SOCKET #	COLOR
1	BLACK
2	BROWN
3	RED
4	ORANGE
5	YELLOW
6	GREEN
7	BLUE
8	VIOLET
9	GRAY



ACTUAL SIZE  
EXCLUDING WIRE LENGTH

INTERNAL USE ONLY  
USE MFG LOADING  
PROCEDURE MMDS-009

**RoHS**

**NOTE:**

DIMENSIONS IN [ ] ARE IN  
MILLIMETERS UNLESS  
OTHERWISE NOTED AND ARE  
FOR REFERENCE ONLY

MMDS SLDW	THIRD ANGLE	THIS DRAWING CONTAINS CONFIDENTIAL AND PROPRIETARY INFORMATION WHICH IS THE PROPERTY OF OMNETICS CONNECTOR CORP. THIS DOCUMENT MAY NOT, IN WHOLE OR IN PART, BE DUPLICATED, OR DISCLOSED FOR ANY PURPOSE, WITHOUT WRITTEN PERMISSION FROM OMNETICS CONNECTOR CORP.		<b>OMNETICS</b>	CAGE CODE 61873	
	-TOLERANCES-	DFTM. STN	DATE		CONNECTOR CORPORATION	DWG NO.
	UNLESS OTHERWISE NOTED	CHK'D.	DATE	7260 COMMERCE CIRCLE EAST	A99341-009	
	DIMENSIONS IN INCHES	APP'D.	DATE	MINNEAPOLIS, MN 55432	SHEET 1 OF 1	REV
2 PL DEC ± .01			WWW.OMNETICS.COM	SCALE: 3:1	A	
3 PL DEC ± .005						
4 PL DEC ± .0005						
ANGLES ± 1°						

TITLE:  
(9) SOCKET FEMALE  
MICRO-D CONNECTOR