

ALL DIMENSIONS ARE
FOR REFERENCE ONLY

DIMENSIONS ARE IN INCHES [MILLIMETERS]
UNLESS OTHERWISE NOTED

PRODUCT SPECIFICATION SHEET			DWG NO	396 SP
REVISIONS			TITLE	
REV	ECO	DESCRIPTION	BY/DATE	APPROVED
A		INITIAL RELEASE	IB 6 JUN 96	

SPECIFICATIONS

OVERALL HEIGHT 7 5/16 [185.75]

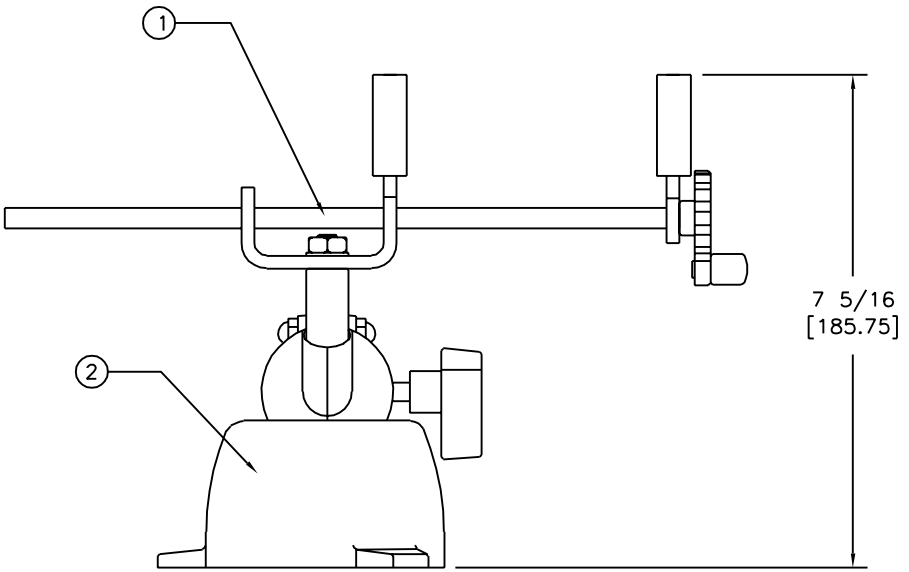
SHIPPING WEIGHT 3 POUNDS [1.3 KG]

VICE OPENING

- WITH JAW PADS 6 [152] MAXIMUM
- 0 [0] MINIMUM
- W/O JAW PADS 6 1/4 [158.75] MAXIMUM
- 1/8 [3.175] MINIMUM

MATERIAL:

- 1. 366 VICE HEAD SEE 366-SP SHEET FOR SPECIFICATIONS
- 2. 300 BASE SEE 300-SP SHEET FOR SPECIFICATIONS



ALL DESIGN, OPERATIVE, AND PROCESS DATA PERTAINING TO THE ARTICLE ON THIS SHEET IS THE PROPERTY OF PANAVISE PRODUCTS, INC., RENO, NV. THIS INFORMATION IS DISCLOSED IN CONFIDENCE AND IS NOT TO BE COPIED, REPRODUCED, OR REVEALED TO OR APPROPRIATED BY OTHERS, IN PART OR IN WHOLE, WITHOUT THE EXPRESSED CONSENT OF PANAVISE. THIS PRINT IS LOANED, AND MUST NOT BE USED IN ANY MANNER DETRIMENTAL TO THE INTEREST OF PANAVISE, AND MUST BE RETURNED ON DEMAND



PANAVISE®
7540 Calbert Drive, Reno, Nevada 89511-1225
Phone (702) 850-2900, Fax (702) 850-2929

TITLE
WIDE OPENING
HEAD PANAVISE

BASIC DIM. ENGLISH [ALTERNATE DIM. METRIC]			
DRAWN	DATE	SCALE	
I BENNETT	JUN 96	NONE	SHT 1 OF 1

SIZE	DWG. NO.	REV
A	396 SP	A