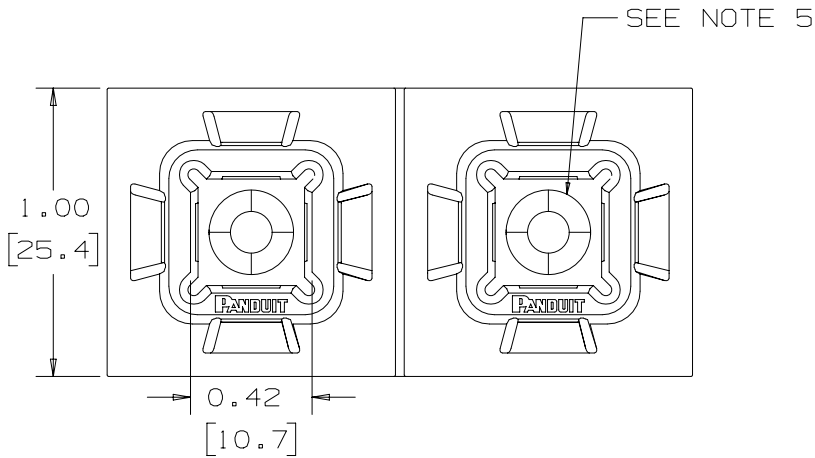
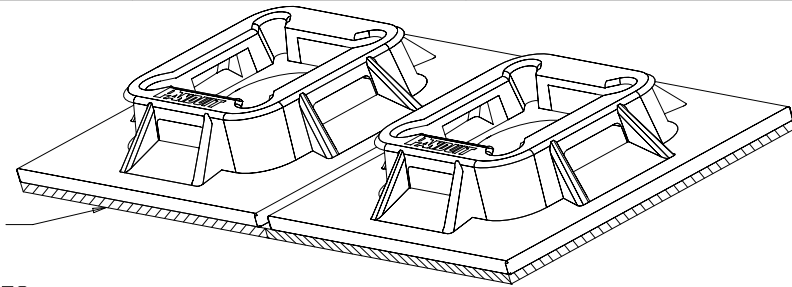


THIS COPY IS PROVIDED ON A RESTRICTED BASIS AND IS NOT TO BE USED IN ANY WAY DETRIMENTAL TO THE INTERESTS OF PANDUIT CORP.



PANDUIT PART NUMBER*	WEIGHT lbs/100 pcs (g)/100 pcs	USE WITH ANY OF THESE CABLE TIE CROSS-SECTIONS
SGABM25-A ABM25	0.30 (140)	M, I, S SG100M, SG150I, SG200S, SG250S, SG300S, SG370S
SGABM25-AT ABM25B		
SGABM25-AV		

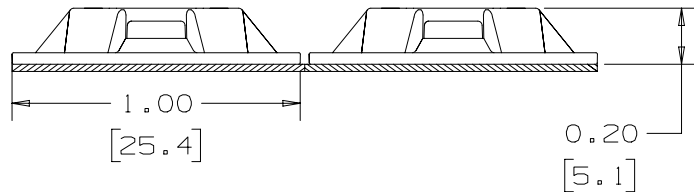


ADHESIVE BACKING: (-A, -AT) RUBBER OR ACRYLIC BASED ADHESIVE PRESSURE SENSITIVE FOAM TAPE 0.04 [1.0] THICK WITH A PROTECTIVE LINER. MOUNT IS DESIGNED TO SUPPORT 0.50 lbs (227g) MAX. WEIGHT ON A CLEAN DRY SMOOTH SURFACE.
 * (-AV) HIGH BOND ACRYLIC BASED ADHESIVE PRESSURE SENSITIVE FOAM TAPE 0.040 [1.0] THICK WITH A PROTECTIVE LINER. MOUNT IS DESIGNED TO SUPPORT 1.0 lbs (453.0g) MAX. WEIGHT ON A CLEAN DRY SMOOTH SURFACE.

NO WARRANTY, EXPRESSED OR IMPLIED, IS MADE BY PANDUIT WITH RESPECT TO ADHESIVE BOND PERFORMANCE. AMONG OTHER THINGS, THE CONDITIONS UNDER WHICH THESE MOUNTS MAY BE APPLIED AND/OR THE SURFACE TO WHICH THEY MAY BE APPLIED ARE BEYOND PANDUIT'S CONTROL.

NOTES

- SEE CURRENT PRICE SHEET FOR PART NUMBER SUFFIX DESIGNATION FOR PACKAGE SIZE AND COLOR.
- THE '-A' SUFFIX REPRESENTS RUBBER ADHESIVE.
THE '-AT' SUFFIX REPRESENTS ACRYLIC ADHESIVE.
THE '-AV' SUFFIX REPRESENTS HIGH BOND ACRYLIC ADHESIVE.
- SUPPLIED IN STRIPS OF TWO.
- THE '-A' MOUNT HAS A MAXIMUM CONTINUOUS OPERATING TEMPERATURE OF 120°F (49°C).
THE '-AT' MOUNT HAS A MAXIMUM CONTINUOUS OPERATING TEMPERATURE OF 180°F (82°C).
THE '-AV' MOUNT HAS A MAXIMUM CONTINUOUS OPERATING TEMPERATURE OF 200°F (93°C).
- HOLE FOR STANDARD #6 FLAT HEAD SCREW.



DIMENSIONS IN BRACKETS ARE METRIC [mm]
 CAD FILENAME/LAYERS G03597HG_DC_GB0239LS/01C

PANDUIT CORP. TINLEY PARK, ILLINOIS

SGABM25-A, SGABM25-AV, SGABM25-AV & ABM25, 25B
 FOUR-WAY MOUNT

UNLESS OTHERWISE SPECIFIED, DIMENSIONAL TOLERANCES ARE:
 (.X) ±0.05 [1.3] (.XXX) ±0.010 [0.25]
 (.XX) ±0.02 [0.5] ANGLES ±5°

UNLESS OTHERWISE SPECIFIED, ALL DIMENSIONS ARE GIVEN IN INCHES, THIRD ANGLE PROJECTION.

REV	DATE	BY	CHK	DESCRIPTION	ECN	R	CUST	SUP
01C	11-6-09	TMSA		ADDED PART NUMBER SGABM25-AV	GB0239LS	01C		
01B	12/16/08	PSG		UPDATED WEIGHT	GB0239LS	01B		
1	6/12/06	JAD		UPDATE CABLE TIE CALLOUTS	GB0239LS	1		

DRAWN BY TMSA DATE 8/24/05 CHK'D	MAT'L: NYLON 6/6	SCALE NONE	DRAWING NO. GB0239LS DWG SIZE A
--	------------------	------------	------------------------------------