

Thermal device circuit breaker - TCP 1A - 0712194

Please be informed that the data shown in this PDF Document is generated from our Online Catalog. Please find the complete data in the user's documentation. Our General Terms of Use for Downloads are valid (<http://download.phoenixcontact.com>)



Thermal miniature circuit breaker, pluggable in screw-type fuse terminal block UK 6-FSI/C and spring-cage fuse terminal block ST 4-FSI/C

The illustration shows version TCP 2A

Product description

Thermal miniature circuit breaker, pluggable in screw-type fuse terminal block UK 6-FSI/C and spring-cage fuse terminal block ST 4-FSI/C

Why buy this product

- A version with screw or spring-cage connection is used as a basic terminal block
- The reclosable thermal circuit breaker is available in nine nominal current levels ranging from 0.25 to 10 A
- Compact design
- The integrated switching function enables immediate reclosure and therefore ensures the availability of the system



Key commercial data

Packing unit	1
Minimum order quantity	20
Catalog page	Page 197 (TT-2011)
GTIN	 4 017918 848354
Weight per piece (including packing)	0.0 GRM
Weight per Piece (excluding packing)	11.1 GRM
Country of origin	INDONESIA

Technical data

General

Note	When mounted in rows, the nominal device current can be limited to just 80% or must be overdimensioned accordingly.
Color	black
Insulating material	PA
Inflammability class according to UL 94	V0

Thermal device circuit breaker - TCP 1A - 0712194

Technical data

Dimensions

Width	8.2 mm
Length	24.5 mm
Height NS 35/7.5	55 mm

Technical data

Fuse	Slow-blow
Fuse type	Automatic device
Pollution degree	2
Nominal current I _N	1 A
Nominal voltage U _N	250 V AC
Nominal voltage U _N	65 V DC
Switching capacity I _{CN}	(6x I _N for nominal currents 0.25 A to 4 A)
Switching capacity I _{CN}	(8x I _N for nominal currents 6 A to 10 A)
Ambient temperature (operation)	-20 °C ... 60 °C

Classifications

eClass

eClass 4.0	27141116
eClass 4.1	27141116
eClass 5.0	27141116
eClass 5.1	27141116
eClass 6.0	27141116

etim

ETIM 2.0	EC000899
ETIM 3.0	EC000899
ETIM 4.0	EC000899

unspsc

UNSPSC 6.01	30211812
UNSPSC 7.0901	39121411
UNSPSC 11	39121411
UNSPSC 12.01	39121411
UNSPSC 13.2	39121411

Approvals

Certificates

Certification

CSA / UL Recognized / VDE approval of drawings / cUL Recognized / GOST / cULus Recognized

Thermal device circuit breaker - TCP 1A - 0712194

Approvals

Certification EX

Certification submitted

Approval details

CSA	
Nominal current I _N	1 A
Nominal voltage U _N	250 V

UL Recognized

VDE approval of drawings

cUL Recognized

GOST

cULus Recognized

Accessories

Accessories

Marking

Flat zack marker sheet - ZBFM 5/WH:UNBEDRUCKT - 0803595

Flat zack marker sheet, Sheet, white, Unlabeled, Can be labeled with: Plotter, Mounting type: Snap into flat marker groove, P



Flat zack marker sheet - ZBFM 5/OG:UNBEDRUCKT - 0807180

Flat zack marker sheet, Sheet, orange, Unlabeled, Can be labeled with: Plotter, Mounting type: Snap into flat marker groove, P



Thermal device circuit breaker - TCP 1A - 0712194

Accessories

Flat zack marker sheet - ZBFM 5:SO/CMS - 0803647

Flat zack marker sheet, white, For terminal block width: 5.2 mm



Additional products

Fuse modular terminal block - UK 6-FSI/C - 3118203

Flat-type fuse terminal block, cross section: 0.2 - 6 mm², AWG: 26 - 8, width: 8.2 mm, color: black



Fuse modular terminal block - ST 4-FSI/C - 3036372

Fuse terminal block for mounting on NS 35, for miniature circuit breakers, terminal width: 8,2 mm, color: Black



Fuse modular terminal block - ST 4-FSI/C-LED 24 - 3036505

Fuse terminal block with LED for mounting on NS 35, for miniature circuit breakers, terminal width: 8.2 mm, color: Black



Fuse modular terminal block - UK 6-FSI/C - 3118203

Flat-type fuse terminal block, cross section: 0.2 - 6 mm², AWG: 26 - 8, width: 8.2 mm, color: black



Thermal device circuit breaker - TCP 1A - 0712194

Accessories

Fuse modular terminal block - UK 6-FSI/C-LED12 - 3001925



Flat-type fuse terminal block, cross section: 0.2 - 6 mm², AWG: 26 - 8, width: 8.2 mm, color: black, with light indicator, voltage

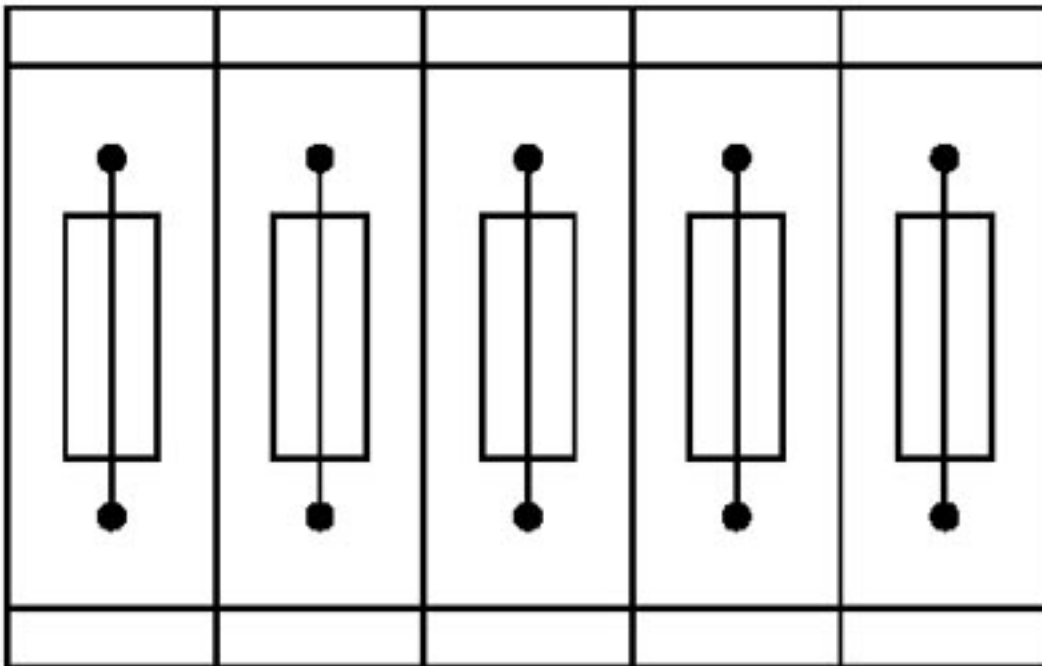
Fuse modular terminal block - UK 6-FSI/C-LED24 - 3001938



Flat-type fuse terminal block, cross section: 0.2 - 6 mm², AWG: 26 - 8, width: 8.2 mm, color: black, with light indicator, voltage

Drawings

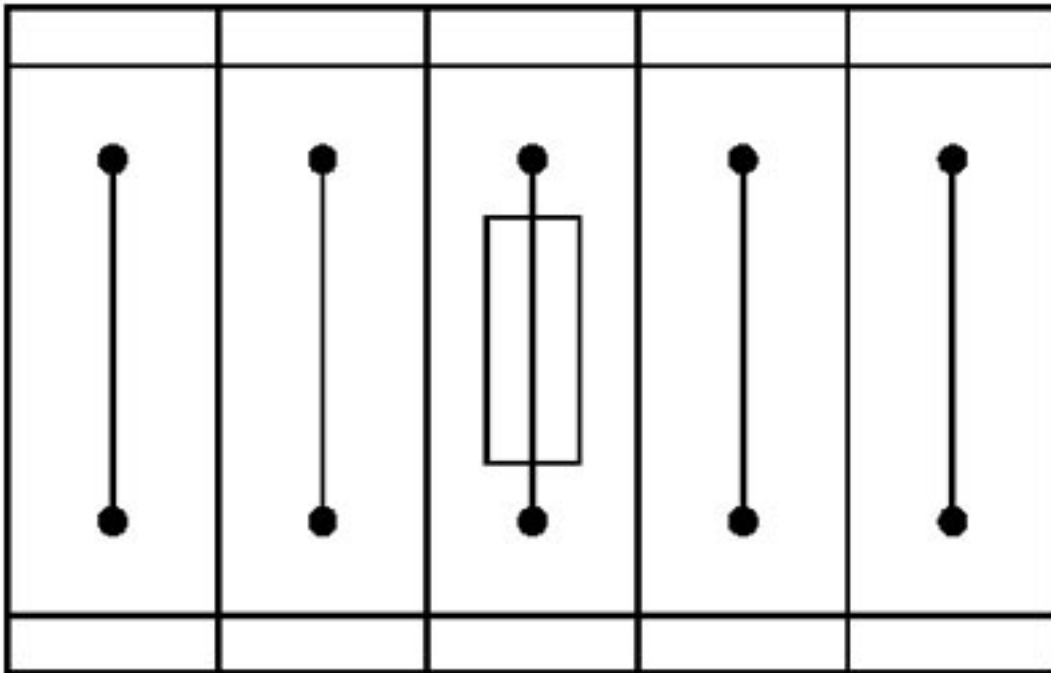
Application drawing



Fuse terminal blocks in interconnected arrangement, block consisting of 5 fuse terminal blocks

Thermal device circuit breaker - TCP 1A - 0712194

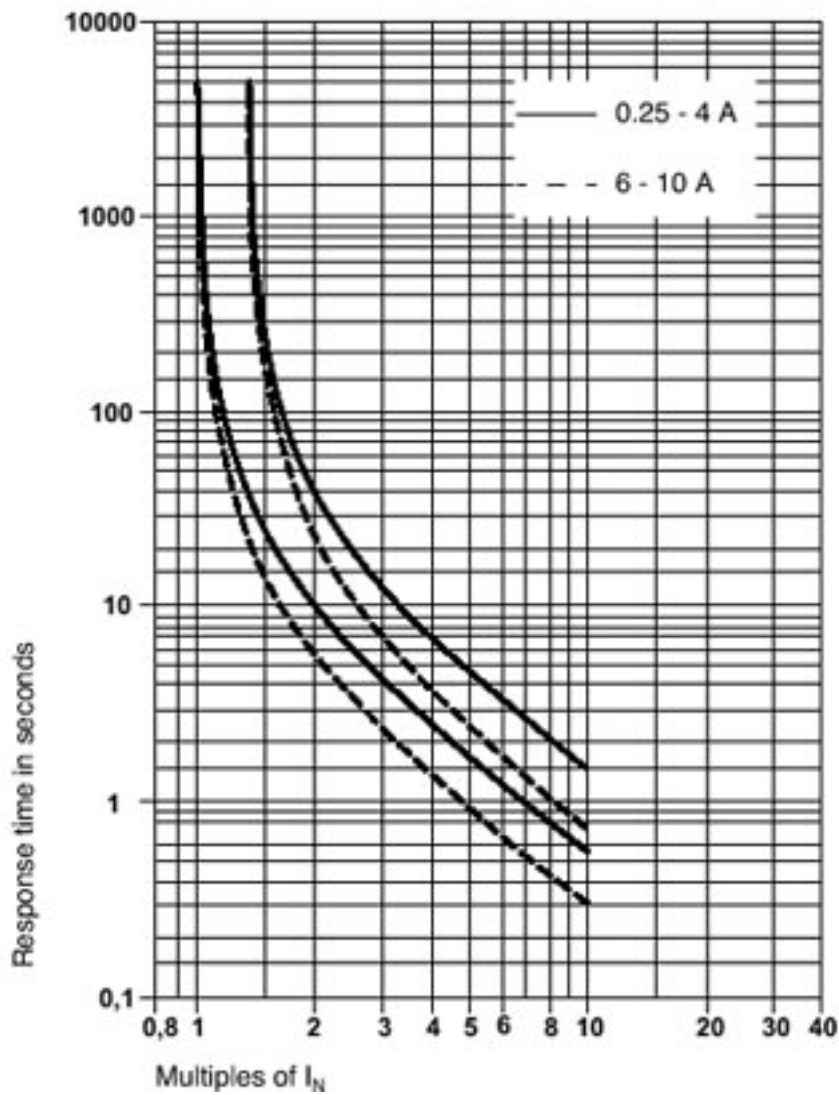
Application drawing



Fuse terminal block in single arrangement,
block consisting of one fuse terminal block and 4 feed-through terminal
blocks

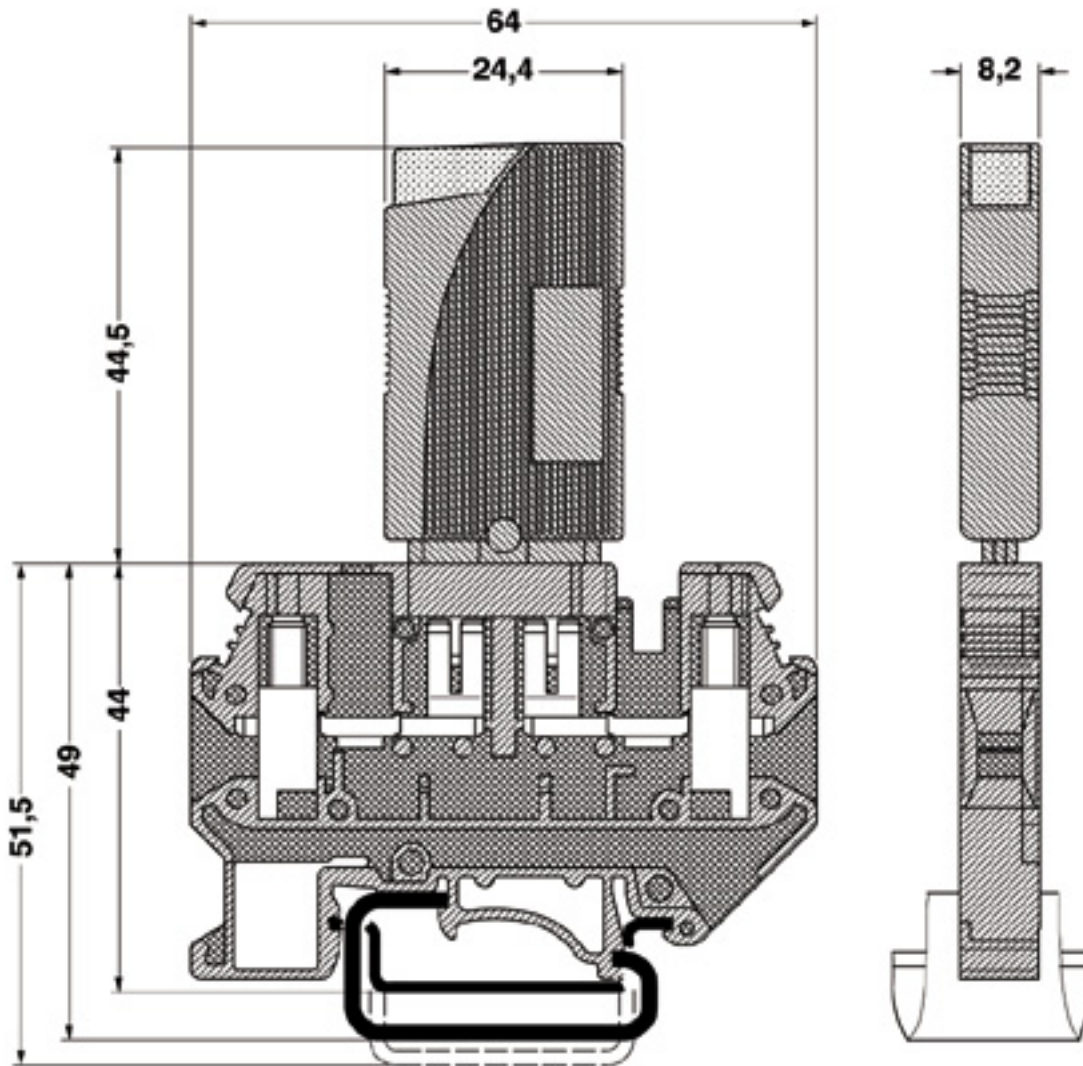
Thermal device circuit breaker - TCP 1A - 0712194

Diagram



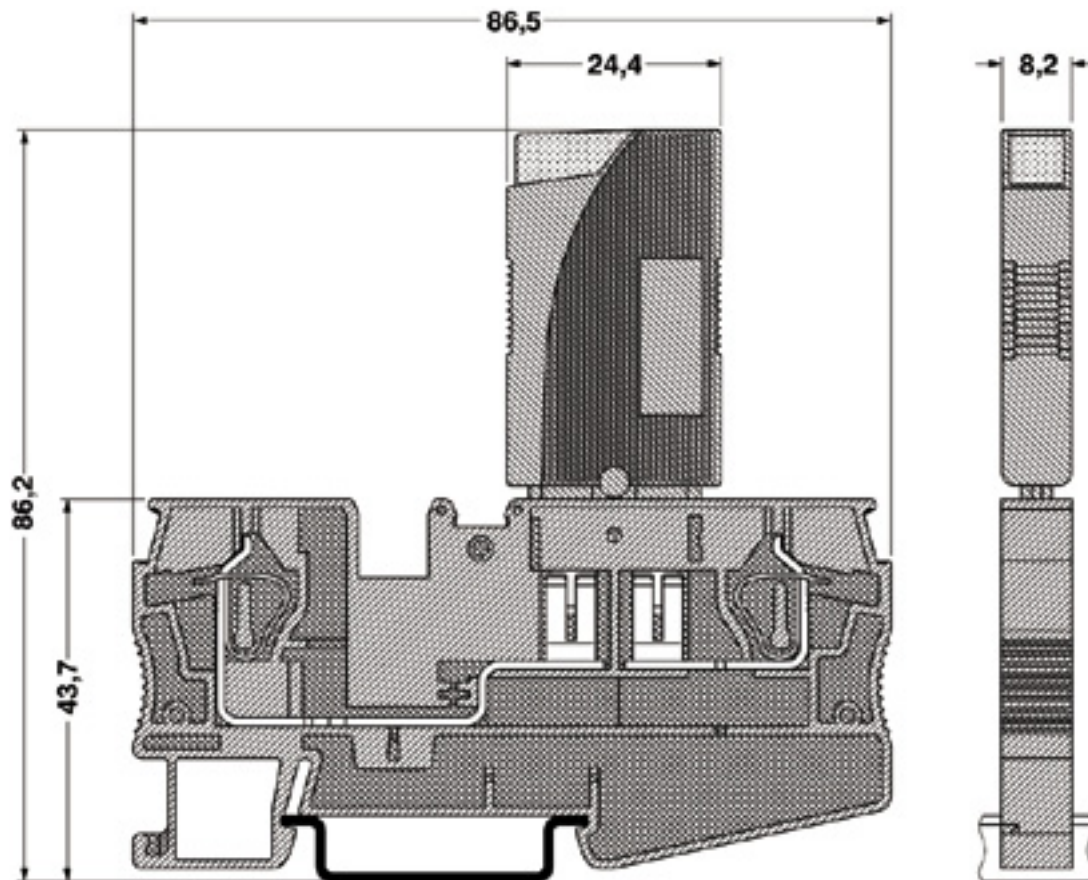
Thermal device circuit breaker - TCP 1A - 0712194

Dimensioned drawing



Thermal device circuit breaker - TCP 1A - 0712194

Dimensioned drawing



© Phoenix Contact 2012 - all rights reserved
<http://www.phoenixcontact.com>