

SAC-3P-Y/2XFS PE SCO

Order No.: 1523971



<http://eshop.phoenixcontact.de/phoenix/treeViewClick.do?UID=1523971>

Y-distributor, 3-pos. +PE, straight plug M12 SPEEDCON on 2 x
straight socket M12 SPEEDCON

Commercial data

GTIN (EAN)	4046356127509
sales group	D116
Pack	5 pcs.
Customs tariff	85366990
Weight/Piece	0.02939 KG
Catalog page information	Page 104 (PC-2009)

Product notes

WEEE/RoHS-compliant since:
11/24/2007



[http://
www.download.phoenixcontact.com](http://www.download.phoenixcontact.com)
Please note that the data given
here has been taken from the
online catalog. For comprehensive
information and data, please refer
to the user documentation. The
General Terms and Conditions of
Use apply to Internet downloads.

Technical data

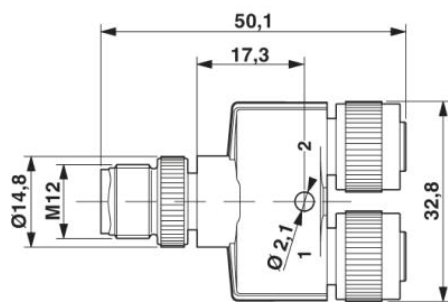
General data

Rated current at 40°C	4 A
Rated voltage	60 V
Number of positions	3
Volume resistance	≤ 5 mΩ
Insulation resistance	≥ 10 GΩ

Ambient temperature (operation)	-25 °C ... 90 °C
General characteristics	
Standards/regulations	M12 male connector IEC 61076-2-101
Coding	A - standard
Surge voltage category	II
Pollution degree	3
Degree of protection	IP65/IP68/IP69K
Contact material	CuZn
Contact surface material	Ni/Au
Contact carrier material	TPU GF
Material of grip body	TPU, hardly inflammable, self-extinguishing
Material, knurls	Zinc die-cast, (nickel-plated)
Sealing material	NBR
Status display	No

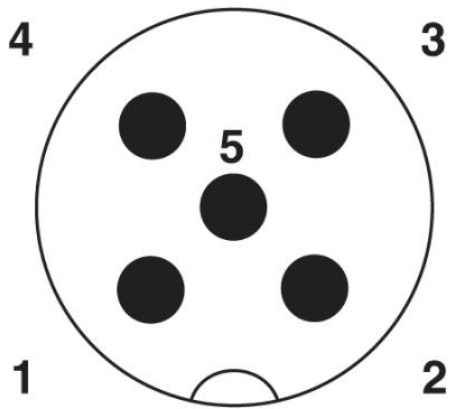
Diagrams/Drawings

Dimensioned drawing

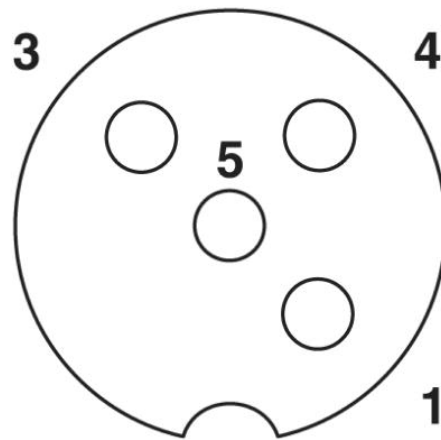


Plug M12 x 1, Y distributor

Schematic diagram



Pin assignment M12 male connector, 5-pos., A-coded, male side



Pin assignment socket M 12, 3-pos. + PE

Address

PHOENIX CONTACT Inc., USA
586 Fulling Mill Road
Middletown, PA 17057, USA
Phone (800) 888-7388
Fax (717) 944-1625
<http://www.phoenixcon.com>



© 2010 Phoenix Contact
Technical modifications reserved;