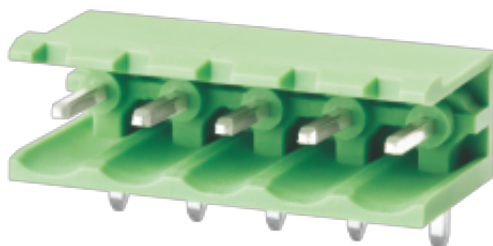


WJ2EDGR-5.0/5.08
PLUG-IN TERMINAL BLOCK



PCB connector
Rated current: 15 A
Rated voltage: 300 V
Pitch: 5.0 mm/5.08 mm
Mounting: Wave soldering



UL/CUL

| Use Group | B | C | D |
|------------------------------|-------|---|-----|
| Rate Voltage [V] | 300 | - | 300 |
| Rated Current [A] | 15 | - | 10 |
| Wire Range [AWG] | / | | |
| Dielectric Voltage-Withstand | 1.6KV | | |

IEC

| Overvoltage Category | III | III | II |
|--|-----|-----|-----|
| Contamination Class | 3 | 2 | 2 |
| Rated Voltage [V] | 250 | 320 | 630 |
| Rated Current [A] | 15 | 15 | 15 |
| Impulse withstand voltage [KV] | 4 | 4 | 4 |
| Conductor cross section[solid/flexible] [mm ²] | / | | |

Material

| | |
|---------------------|------|
| Insulation Material | PA66 |
|---------------------|------|

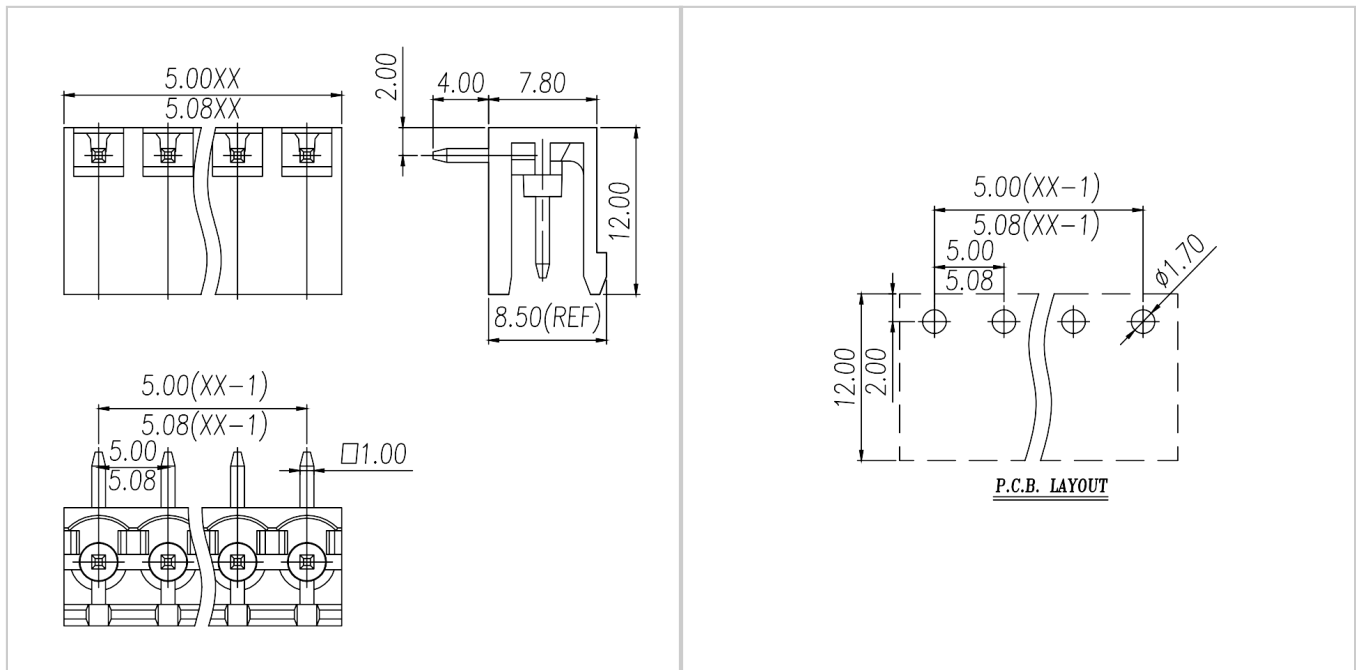
| | |
|------------------------------|--------------|
| Flame retardant rating | UL94V-0 |
| Conductor Material | Copper alloy |
| Plating of conductor surface | Sn plated |

Other Data

| | |
|----------------------------|-----------------|
| Pitch/Poles [mm]/[P] | 5.0 , 5.08/2-24 |
| Stripping Length [mm] | / |
| Screw/Torque(Max)[N.m] | |
| Operating temperature [°C] | -40~+105 |
| Soldering temperature | 260°C/5S |
| Pin dimensions [mm] | 1.0*1.0 |
| PCB Hole Diameter [mm] | □1.7 |

Dimensions

PCB opening diagram



Accessories