

WJ3EDGK-7.62  
PLUG-IN TERMINAL BLOCK



PCB connector  
Rated current: 30 A  
Rated voltage: 300 V  
Wire range: 28-10 AWG  
Pitch: 7.62 mm



UL/CUL

Use Group	B	C	D
Rate Voltage [V]	300	-	300
Rated Current [A]	30	-	10
Wire Range [AWG]	28-10		
Dielectric Voltage-Withstand	1.6KV		

IEC

Overvoltage Category	III	III	II
Contamination Class	3	2	2
Rated Voltage [V]	400	630	1000
Rated Current [A]	20	20	20
Impulse withstand voltage [KV]	6	6	6
Conductor cross section[solid/flexible] [mm <sup>2</sup> ]	0.5-4		

Material

Insulation Material	PA66
---------------------	------

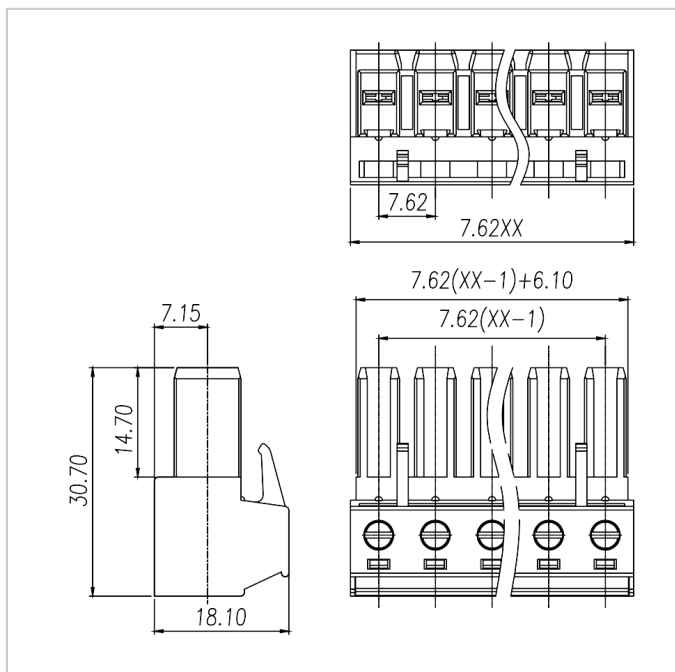
**WJ3EDGK-7.62**  
**PLUG-IN TERMINAL BLOCK**

Flame retardant rating	UL94V-0
Conductor Material	Copper alloy
Plating of conductor surface	Sn plated

**Other Data**

Pitch/Poles [mm]/[P]	7.62/2-24
Stripping Length [mm]	8-9
Screw/Torque(Max)[N.m]	
Operating temperature [°C]	-40~+105
Soldering temperature	/
Pin dimensions [mm]	/
PCB Hole Diameter [mm]	/

**Dimensions**



**Accessories**