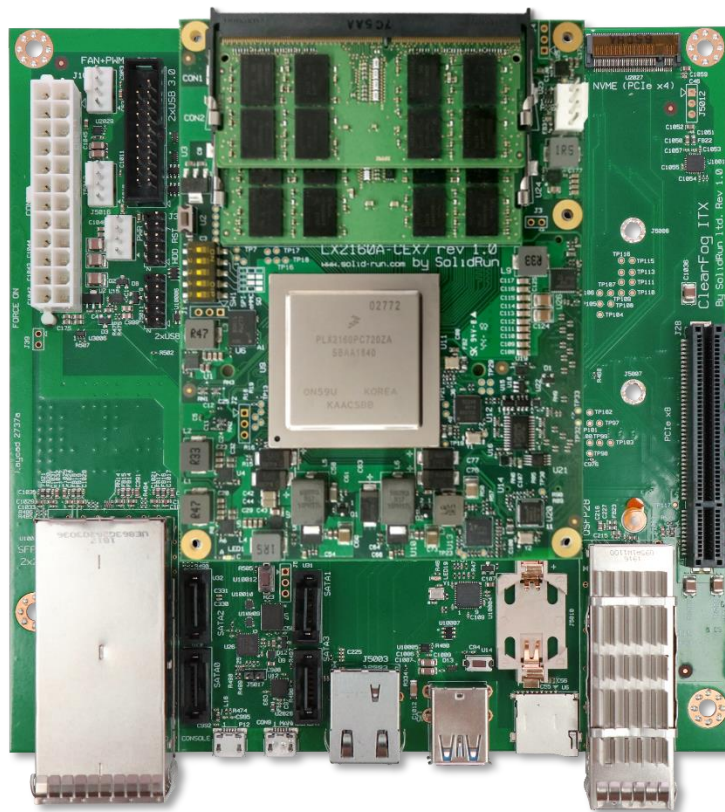


ClearFog CX LX2K

Datasheet

NXP Layerscape LX2160A based networking platform



Embedded Edge Computing

SolidRun Ltd.

7 Hamada st.,
Yokne'am Illit, 2069201, Israel

Overview

[ClearFog CX LX2K](#) is a robust embedded Mini ITX platform designed for the COM Express type 7 form factor – offering a flexible and feature-rich carrier for the outstanding network computing Layerscape LX2160A 16-core Arm processor.

This carrier board features an array of 4 x 10GbE SFP+ (2x2) connectors, QSFP28 100GbE cage and 1 x 1GbE RJ45 port. Other features include 3 x USB 3.0 and 3 x USB 2.0 port, PCIe x8 (open port), 4 x SATA, up to 64GB DDR4 memory, eMMC, optional M.2, microSD, and GPIO header.

ClearFog CX LX2K Highlighted Features

- ✿ NXP's Layerscape LX2160A 16-core Cortex Arm A72 (2GHz) processor
- ✿ Dual-channel DDR4 SO-DIMM (up to 64GB)
- ✿ 4 x SFP+ (10GbE each)
- ✿ QSFP28 cage 100Gbps
- ✿ Mini ITX form factor supporting easy mounting in a wide range of cases, enclosures and tower configurations

System Specifications

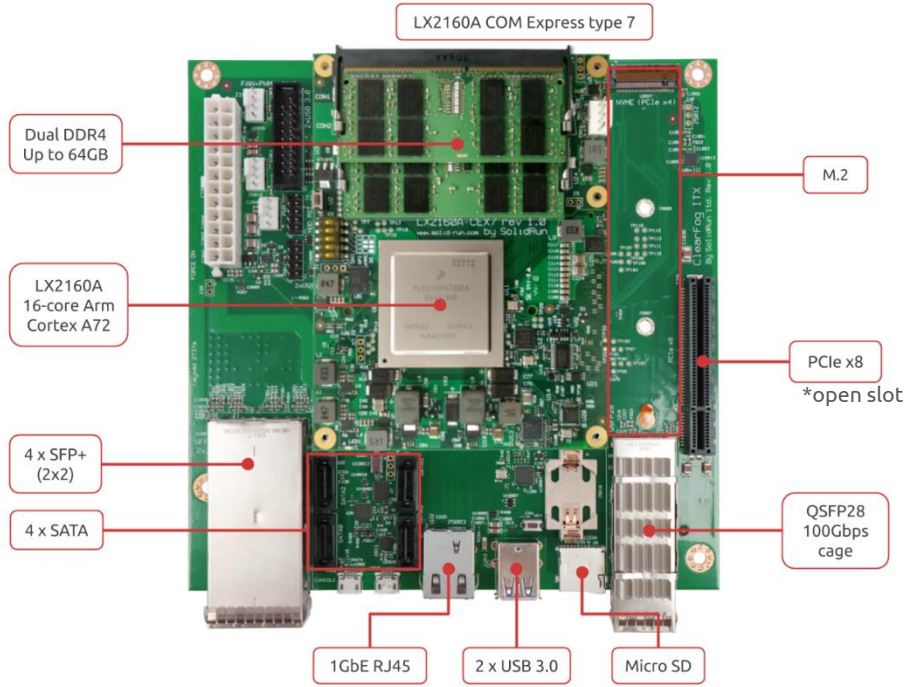
ClearFog CX LX2K	
Processor	NXP LX2160A 16-core Cortex Arm A72 (up to 2Ghz)
Memory & Storage	Up to 64GB DDR4 SO-DIMM (dual channel) M.2 2240/2280 MicroSD 4 x SATA 3.0 eMMC
Connectivity & Interfaces	4 x SFP+ ports (2 x 2 cage) 1 x QSFP28 cage (100Gbps) 1 x 1GbE (RJ45) 3 x USB 2.0 3 x USB 3.0 1 x PCIe x8 (open slot)
I/O	MicroUSB for debug (UART over USB) USB to STM32 for remote management
OS	Linux kernel 4.14x Mainline Linux
Cooling	CPU air-cooled with heatsink + fan configuration
Power	ATX Standard
Environment	Ambient temp. (commercial): 0°C to 70°C
	CPU die temp. (commercial): 0°C to 105°C
	Ambient temp. (industrial): -40°C to 85°C
	CPU die temp. (industrial): -40°C to 105°C
	Humidity (non-condensing): 10% - 90%
Dimensions (WxL)	170mm X 170mm
Enclosure	Not included Supports mini ITX form factor enclosures

Available SKUs for ClearFog CX LX2K

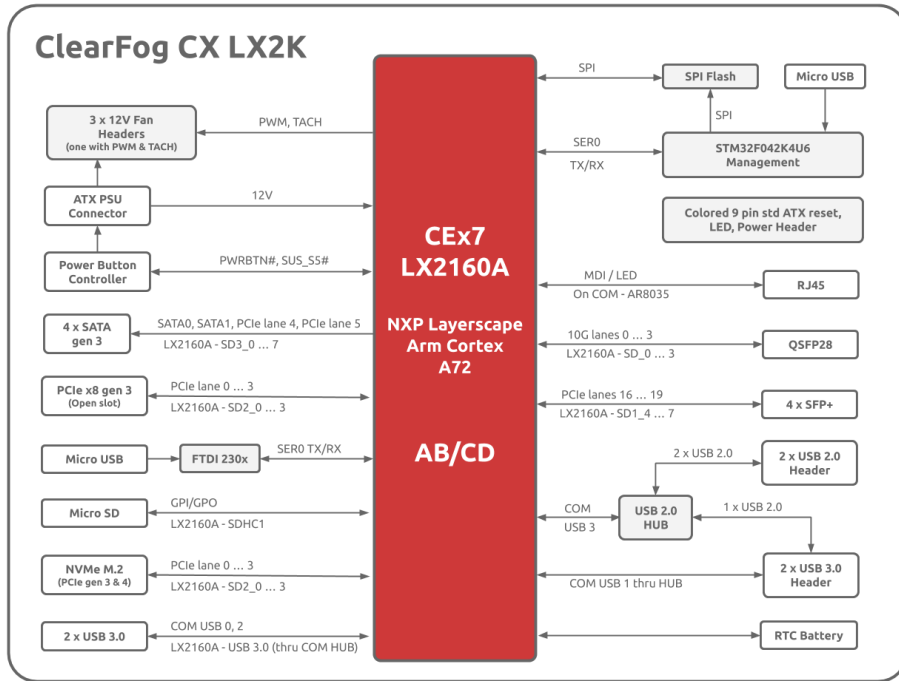
SKU	Description
SRLX216S00D00GE064C04CH	ClearFog CX LX2K 64GB eMMC Com. Temp R04 Inc. Heatsink & Fan
SRLX216S00D00GE064C04IH	ClearFog CX LX2K 64GB eMMC Ind. Temp R04 Inc. Heatsink & Fan

(*) Different configurations available for MOQ

ClearFog CX LX2K Layout



ClearFog CX LX2K Layout



Safety Notice

- a. This device is to be used with Certified Power adaptor with output rated 12VDC, 1.5A. Power adapter must meet Limited power source (LPS) requirements.
- b. Power adapter must meet local safety standards and requirements based on product intended use.
- c. Power adapter must meet Operating environment conditions as specified above.

Disposal

Follow local regulations regarding disposal of the product. Dispose of your product in accordance with local regulations. In some areas, the disposal of these items in household or business trash may be prohibited.

Help us protect the environment – recycle!

IMPORTANT NOTICE – Please Read Carefully

No warranty of accuracy is given concerning the contents of the information contained in this document. To the extent permitted by law no liability (including liability to any person by reason of negligence) will be accepted by SolidRun Ltd. or its employees for any direct or indirect loss or damage caused by omissions from or inaccuracies in this document.

SolidRun Ltd. reserves the right to change details in this publication without notice Product and company names herein may be the trademarks of their respective owners.

Information in this document supersedes and replaces information previously supplied in any prior versions of this document.

Support

For technical support please visit:

Our developer resources – <https://developer.solid-run.com/>

For direct support please contact us at: support@solid-run.com

Documentation

Additional documentation available at:

<https://developer.solid-run.com/products/clearfog-cx-lx2k/>