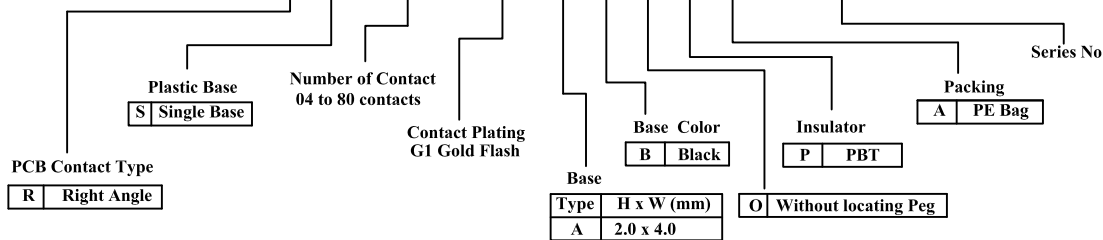


PHDD-RSXXXG1ABOPA-C072



L=10.4/14.4mm

RoHS compliant

| REV. | DESCRIPTION | DATE |
|------|-------------|------------|
| A | New Drawing | 2022/02/18 |

| LTR | Part Name | Material | Description | QTY |
|-----|-----------|----------------|--|-----|
| 1 | Housing | PBT UL94V-0 | 200°C for 20 Seconds . Initial : 1000M Ohms Min. After Test : 500M Ohms Min. | 1 |
| 2 | Contact | Brass | Current Rating : 2.0A Initial : 20m Ohms Max. After Test : 40m Ohms Max. | XX |

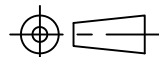
Temperature Rating : -40°C ~ +125°C .
 Dielectric Withstanding Voltage : 500V AC/Min

P.C.B LAYOUT

Superior Tech Co., Ltd.

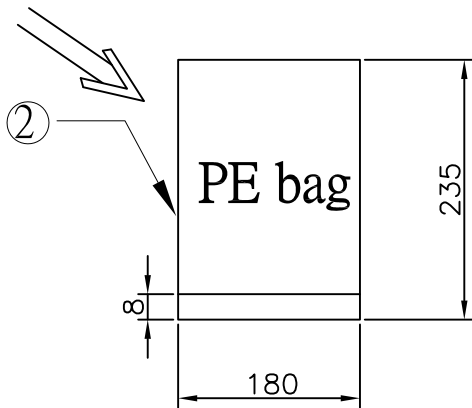
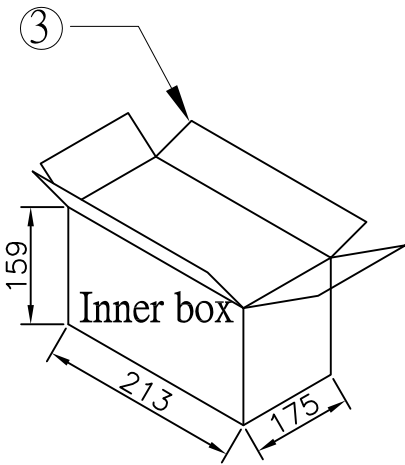
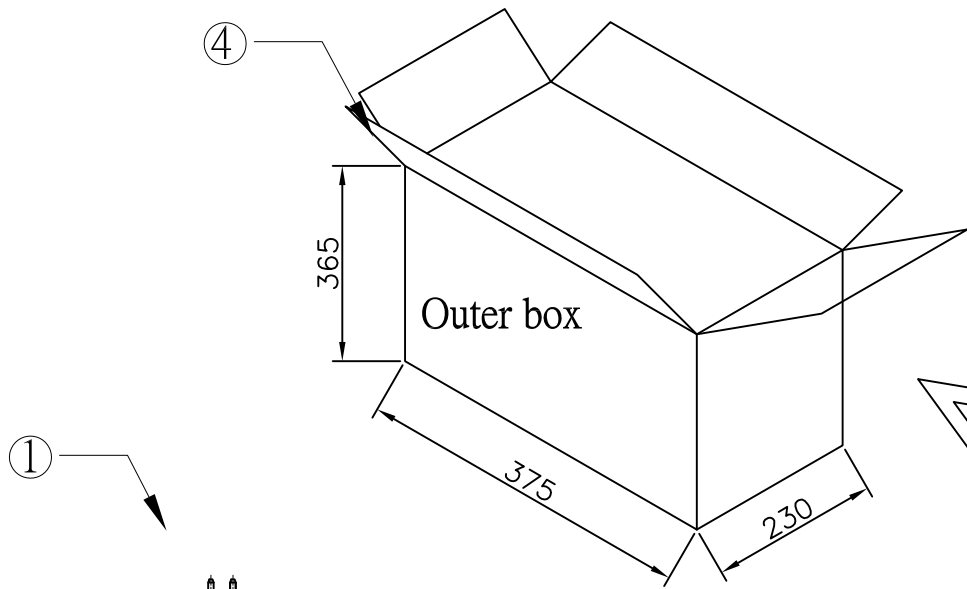
| General Tolerance | | TITLE | | Pitch 2.0x2.0mm Pin Header ,Right Angle Dual Row | |
|-------------------|-------|-------|----------|--|------------------------|
| X. | ± 0.5 | DRAWN | Tom | DATE | NO. |
| .X | ± 0.3 | | | 02-18-22' | 002 |
| .XX | ± 0.2 | CHECK | APPROVED | DATE | PART NO. |
| .XXX | ± 0.1 | | | | PHDD-RSXXXG1ABOPA-C072 |
| Angle | ± 5° | | | DATE | CUSTOMER NO. |
| | | | | | DK |

| REV. | UNIT | SCALE |
|------|------|-------|
| A | mm | 1:1 |



(Q2-R03-01A) ST-R05-07

| REV. | DESCRIPTION | DATE |
|------|-------------|------------|
| A | New Drawing | 2022/05/26 |



RoHS compliant

Note: The quantity is estimated, please refer to actual shipment.

| | | | | |
|---------------|-----------|------------------------|-----------------------------|--------------------|
| ④ | Outer box | B-ZX-W-010-F001 | 1 PCS | 20k PCS |
| ③ | Inner box | B-ZX-R-001-F001 | 4 PCS | 5000 PCS |
| ② | PE bag | B-PD-S-002-F001 | 20 PCS | 1000 PCS |
| ① | Product | PH2.0 2*XPIN | — | — |
| Serial number | Name | Specifications | Dosage of cladding material | Quantity installed |

Superior Tech Co., Ltd.

| General Tolerance | | TITLE | PHDD-RSXXXG1ABOPA-C072_Packing | |
|-------------------|------|----------|--------------------------------|------------------------|
| X. ± 0.5 | | DRAWN | DATE | NO. |
| .X ± 0.3 | | Tom | 2022/05/26 | 002 |
| .XX ± 0.2 | | CHECK | DATE | PART NO. |
| .XXX ± 0.1 | | | | PHDD-RSXXXG1ABOPA-C072 |
| Angle | ± 5° | APPROVED | DATE | CUSTOMER NO. |
| | | | | DK |

| REV. | UNIT | SCALE |
|------|------|-------|
| A | mm | 1:10 |

