

AVR Series Auto Grade Chip Varistor Sample Kit

Automotive Grade Multilayer Chip Varistor Kit

TDK's AVR series chip varistors are used as a countermeasure for voltage and static electricity. AVR series varistors have excellent electrostatic absorption capability with as good or better response than Zener diodes. A Zener diode + capacitor combination can be replaced with an AVR series varistor, reducing footprint and total mounting cost.



- AEC-Q200
- Multilayer
- Voltage Protection



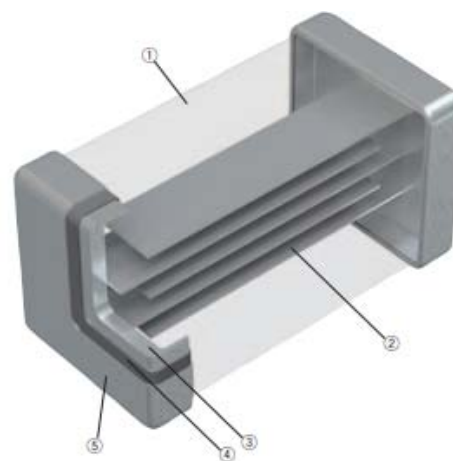
Features

- No polarity due to symmetrical current-voltage characteristics
- AEC-Q200
- Excellent mount reliability
- Operating and storage temperature range of -40 to $+125^{\circ}\text{C}$

Applications

- CAN-BUS
- Connector
- Audio
- ECU
- Air conditioner panel
- Navigation

Internal Structure of Multilayer Chip Varistors



No.	Name	
(1)	Semiconductor ceramic	
(2)	Internal electrode(Pd)	
(3)	Terminal electrode	Ag
(4)	Terminal electrode	Ni
(5)		Sn

Sample Kit Information

AVR Series Automotive Chip Varistor Kit Includes:

Case Size: 1.0 x 0.5mm (EIA 0402), 1.6 x 0.8mm (EIA 1608), & 2.0 x 1.2mm (EIA 0805)
Varistor Voltage (Breakdown Voltage): 22-100V
Rated Voltage (max.): 16-70V
Capacitance: 4.7-800pF

[Datasheet Link](#)

Kit contains 140 pieces total—10 pieces each of 14 values

Digi-Key Part Number: [445-174555-KIT-ND](#)



AVR Series Auto Grade Chip Varistor Sample Kit

Automotive Grade Multilayer Chip Varistor Kit



Digi-Key Part Number	TDK Part Number	Part Number Description
445-174555-KIT-ND	AVRH10C101KT4R7FA8	0402, 4.7pF, 100V
	AVRH10C270KT150NA8	0402, 15pF, 27V
	AVRH10C390KT500NA8	0402, 50pF, 39V
	AVR-M1608C220KT2AB	0603, 210pF, 22V
	AVR-M1608C220KT6AB	0603, 560pF, 22V
	AVR-M1608C270KT2AB	0603, 160pF, 27V
	AVR-M1608C270KT6AB	0603, 430pF, 27V
	AVRM1608C270KT800M	0603, 80pF, 27V
	AVR-M1608C270KTACB	0603, 60pF, 27V
	AVR-M1608C270MTAAB	0603, 30pF, 27V
	AVR-M1608C270MTABB	0603, 15pF, 27V
	AVRM1608C390KT271N	0603, 270pF, 39V
	AVR-M2012C220KT6AB	0805, 800pF, 22V
	AVR-M2012C390KT6AB	0805, 430pF, 39V