

NSBMC096

NSBMC096 Burst Memory Controller



Literature Number: SNOS687A

NSBMC096-16/-25/-33 Burst Memory Controller

General Description

The NSBMC096 Burst Memory Controller is an integrated circuit which implements all aspects of DRAM control for high performance systems using an i960® CA/CF SuperScalar Embedded Processor. The NSBMC096 is functionally equivalent to the V96BMC™.

The extremely high instruction rate achieved by these processors place extraordinary demands on memory system design if maximum throughput is to be sustained and costs minimized.

Static RAM offers a simple solution for high speed memory systems. However, high cost and low density make this an expensive and space consumptive choice.

Dynamic RAMs are an attractive alternative with higher density and low cost. Their drawbacks are, slower access time and more complex control circuitry required to operate them.

The access time problem is solved if DRAMs are used in page mode. In this mode, access times rival that of static RAM. The control circuit problem is resolved by the NSBMC096.

The function that the NSBMC096 performs is to optimally translate the burst access protocol of the i960 CA/CF to the page mode access protocol supported by dynamic RAMs.

The device manages one or two-way interleaved arrangements of DRAMs such that during burst access, data can be read, or written, at the rate of one word per system clock cycle.

The NSBMC096 has been designed to allow maximum flexibility in its application. The full range of processor speeds is supported for a wide range of DRAM speeds, sizes and organizations.

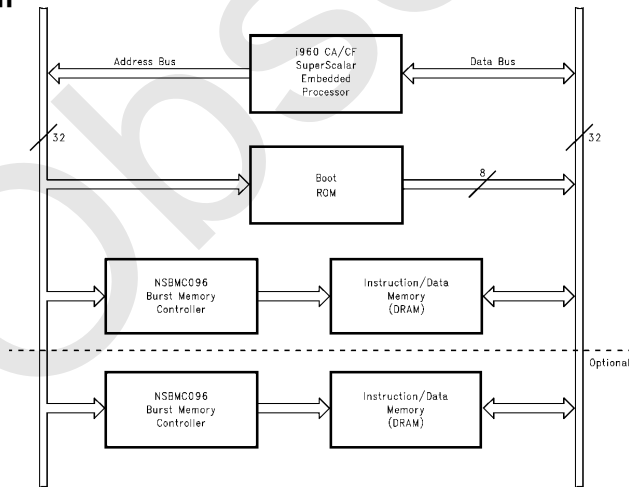
No glue logic is required because the bus interface is customized to the i960 CA/CF. System integration is further enhanced by providing a 24-bit heartbeat timer and a bus watch timer on-chip.

The NSBMC096 is packaged as a 132-pin PQFP with a footprint of only 1.3 square inches. It reduces design complexity, space requirements and is fully derated for loading, temperature and voltage.

Features

- Interfaces directly to the i960 CA
- Integrated Page Cache Management
- Manages Page Mode Dynamic Memory devices
- On-chip Memory Address Multiplexer/Drivers
- Supports DRAMs from 256 kB to 64 MB
- Bit counter/timer
- Non-interleaved or two way interleaved operation
- 5-Bit Bus Watch Timer
- Software-configured operational parameters
- High-Speed/Low Power CMOS technology

Block Diagram

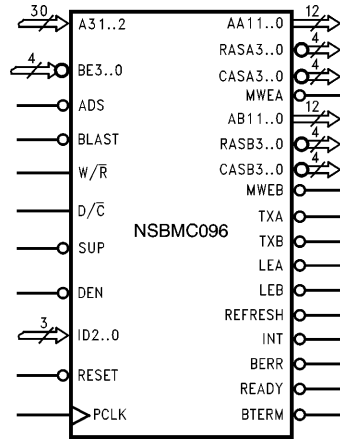


TL/V/11805-1

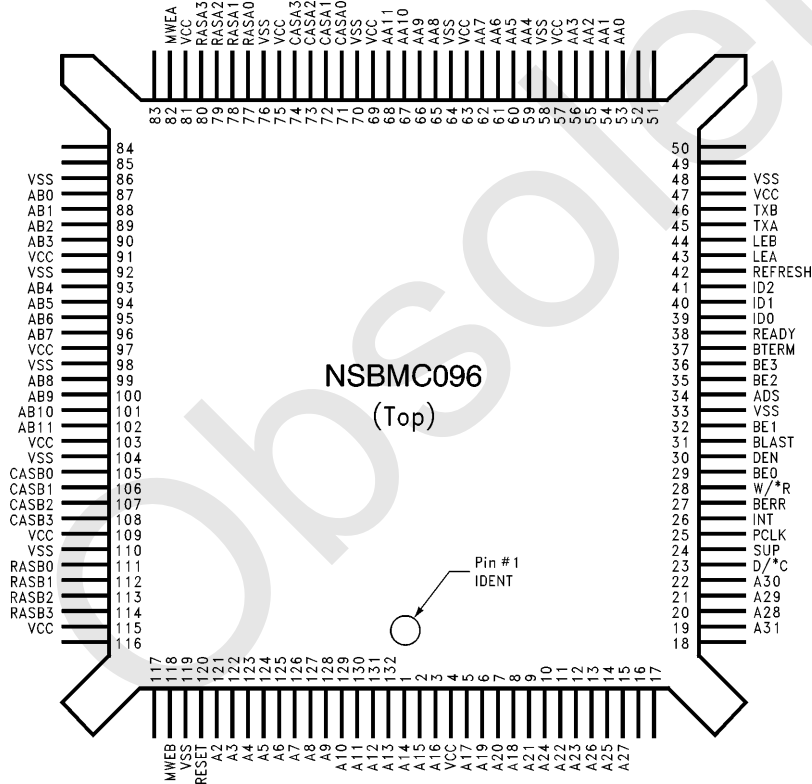
This document contains information concerning a product that has been developed by National Semiconductor Corporation/V3 Corporation. This information is intended to help in evaluating this product. National Semiconductor Corporation/V3 Corporation reserves the right to change and improve the specifications of this product without notice.

TRI-STATE® is a registered trademark of National Semiconductor Corporation.
 NSBMC096™ and WATCHDOG™ are trademarks of National Semiconductor Corporation.
 i960® is a registered trademark of Intel Corporation.
 V96BMC™ is a trademark of V3 Corporation.

Logic and Connection Diagrams



TL/V/11805-2



TL/V/11805-3

Order Number NSBMC096VF
See Package Number VF132A

Pin Descriptions

TABLE I

| Pin # | Signal Name | Pin # | Signal Name | Pin # | Signal Name |
|-------|-----------------|-------|-----------------|-------|-----------------|
| 1 | A14 | 44 | LEB | 91 | V _{CC} |
| 2 | A15 | 45 | TXA | 92 | V _{SS} |
| 3 | A16 | 46 | TXB | 93 | AB4 |
| 4 | V _{CC} | 47 | V _{CC} | 94 | AB5 |
| 5 | A17 | 48 | V _{SS} | 95 | AB6 |
| 6 | A19 | 53 | AA0 | 96 | AB7 |
| 7 | A20 | 54 | AA1 | 97 | V _{CC} |
| 8 | A18 | 55 | AA2 | 98 | V _{SS} |
| 9 | A21 | 56 | AA3 | 99 | AB8 |
| 10 | A24 | 57 | V _{CC} | 100 | AB9 |
| 11 | A22 | 58 | V _{SS} | 101 | AB10 |
| 12 | A23 | 59 | AA4 | 102 | AB11 |
| 13 | A26 | 60 | AA5 | 103 | V _{CC} |
| 14 | A25 | 61 | AA6 | 104 | V _{SS} |
| 15 | A27 | 62 | AA7 | 105 | CASB0 |
| 19 | A31 | 63 | V _{CC} | 106 | CASB1 |
| 20 | A28 | 64 | V _{SS} | 107 | CASB2 |
| 21 | A29 | 65 | AA8 | 108 | CASB3 |
| 22 | A30 | 66 | AA9 | 109 | V _{CC} |
| 23 | D/C | 67 | AA10 | 110 | V _{SS} |
| 24 | SUP | 68 | AA11 | 111 | RASB0 |
| 25 | PCLK | 69 | V _{CC} | 112 | RASB1 |
| 26 | INT | 70 | V _{SS} | 113 | RASB2 |
| 27 | BERR | 71 | CASA0 | 114 | RASB3 |
| 28 | W/R | 72 | CASA1 | 115 | V _{CC} |
| 29 | BE0 | 73 | CASA2 | 118 | MWEB |
| 30 | DEN | 74 | CASA3 | 119 | V _{SS} |
| 31 | BLAST | 75 | V _{CC} | 120 | RESET |
| 32 | BE1 | 76 | V _{SS} | 121 | A2 |
| 33 | V _{SS} | 77 | RASA0 | 122 | A3 |
| 34 | ADS | 78 | RASA1 | 123 | A4 |
| 35 | BE2 | 79 | RASA2 | 124 | A5 |
| 36 | BE3 | 80 | RASA3 | 125 | A6 |
| 37 | BTERM | 81 | V _{CC} | 126 | A7 |
| 38 | READY | 82 | MWEA | 127 | A8 |
| 39 | ID0 | 86 | V _{SS} | 128 | A9 |
| 40 | ID1 | 87 | AB0 | 129 | A10 |
| 41 | ID2 | 88 | AB1 | 130 | A11 |
| 42 | REFRESH | 89 | AB2 | 131 | A12 |
| 43 | LEA | 90 | AB3 | 132 | A13 |

Note: In order for the switching characteristics of this device to be guaranteed, it is necessary to connect all of the power pins (V_{CC}, V_{SS}) to the appropriate power levels. The use of low impedance wiring to the power pins is required. In systems using the i960 CA with its attendant high switching rates, multi-layer printed circuit boards with buried power and ground planes are required.

Pin Descriptions (Continued)

i960 CA/CF INTERFACE

The following pins are functionally equivalent to those on the i960 CA/CF from which their names are taken. Like named pins on the i960 CA/CF and the NSBMC960 are to

be wired together. All 3-State outputs are to be weakly pulled up to V_{CC} . In typical situations, a 10 k Ω resistor is sufficient.

| Pin | Description |
|-------|--|
| A2-31 | Address Bus (Input): This system bus is a word address which determines the location at which an access is required. |
| ADS | Address Strobe (Input; Active Low): Indicates that a new access cycle is being started. |
| D/*C | Data/*Code (Input): Signals whether an access is for data or instructions. |
| BLAST | Burst Last (Input; Active Low): Indicates that the last cycle of a burst is in progress. |
| DEN | Data Enable (Input; Active Low): This input is monitored by the Bus Watch Timer to detect a bus access not returning READY. |
| BTERM | Burst Terminate (Output; 3-State; Active Low): This output is used to request termination of a burst in progress. Used to disable burst writes. |
| READY | Data Ready (Output; 3-State; Active Low): The READY output is used to signal that data on the processor bus is valid for Read, or that data has been accepted for Write. |
| RESET | Reset (Input; Active Low): Assertion of this input sets the NSBMC960 to its initial state. Following initialization, the NSBMC960 must be configured before any memory access is possible. |
| BE0-3 | Byte Enable (Input; Active Low): These inputs are used to determine which byte(s) within the addressed word are to be accessed. |
| W/*R | WRITE/*READ (Input): This input indicates the direction which data is to be transferred to/from on the data bus. |
| SUP | Supervisor (Input; Active Low): Indicates that the processor is operating in supervisor mode. Required for access to configuration registers. |
| PCLK | System Clock (Input): Processor output clock required to operate and synchronize NSBMC960 internal functions. |
| BERR | Bus Error (Output; Active Low): When enabled, this signal is generated by the Bus Watch Circuit to prevent processor lock-up on access to a region that is not responding. |
| INT | Interrupt (Output; 12 mA; Active Low): This signal is asserted when the 24-bit counter reaches terminal count and interrupt out is enabled. May be programmed for pulse or handshake operation. |
| ID0-2 | Chip ID (Input): These inputs select the address offset of the NSBMC960 configuration registers. Each NSBMC960 in a system must have a unique address for proper operation. |

Pin Descriptions (Continued)

MEMORY INTERFACE

The NSBMC960 is designed to drive a memory array organized as 2 leaves each of 32 bits. The address and control signals for the memory array are output through high current

drivers in order to minimize propagation delay due to input impedance and trace capacitance. External array drivers are not required. The address and control signals, however, should be externally terminated.

| Pin | Description |
|--|--|
| A(A,B)0–11 | Multiplexed Address Bus (Output; 24 mA): These two buses transfer the multiplexed row and column addresses to the memory array leaves A and B. When non-interleaved operation is selected, only address bus A should be used. |
| RAS(A,B)0–3 | Row Address Strobes (Output; 12 mA Active Low): These strobes indicate the presence of a valid row address on busses A(A,B)0–11. These signals are to be connected one to each leaf of memory. Four banks of interleaved memory may be attached to a NSBMC960. |
| CAS(A,B)0–3 | Column Address Strobe (Output; 12 mA, Active Low): These strobes latch a column address from A(A,B)0–11. They are assigned one to each byte in a leaf. |
| MWE(A,B) | Memory Write Enable (Output; 24 mA, Active Low): These are the DRAM write strobes. One is supplied for each leaf to minimize signal loading. |
| REFRESH | Refresh in progress (Output; 12 mA, Active Low): This output gives notice that a refresh cycle is to be executed. The timing leads refresh RAS by one cycle. |
| BUFFER CONTROLS Buffer control signals are provided to simplify the control of the interface between the DRAM and i960 data busses. | |
| Multiple operating modes facilitate choice of buffer type, and simple bus buffers ("245"s), bus latches ("543"s) and bus registers ("646"s) are all supported. | |
| Pin | Description |
| TX(A,B) | Data Bus Transmit A and B (Output; Active Low): These outputs are multi-function signals. The signal names, as they appear on the logic symbol, are the default signal names (Mode = 0). The purpose of these outputs is to control buffer output enables during data read transactions and, in effect, control the multiplexing of data from each memory leaf onto the i960 CA/CF data bus. |
| LE(A,B) | Data Bus Latch Enable A and B (Output; Active Low): These outputs are mode independent, however, the timing of the signals change for different operational modes. They control transparent latches that hold data transmitted during a write transaction. In modes 0 and 1, the latch controls follow the timing of CAS for each leaf, while in modes 2 and 3 the timing of LEA and LEB is shortened to 1/2 clock. |

Functional Description

PRODUCT OVERVIEW

The NSBMC960 couples the i960 CA/CF interface to DRAM access protocols, generates bus buffer and data multiplexor controls and incorporates system and bus monitor timing resources. These functional elements are shown in *Figure 1*. A maximum of 8 controllers may be included in a system, each managing up to 4 banks of memory.

The NSBMC960 directly drives an array of fast page mode DRAMs. This array may be organized as 1 or 2 leaves of 32 bits each. Standard memory sizes from 256 kbit to 64 Mbit are supported and 8-, 16-, and 32-bit access are

allowed. If interleaved mode is selected, burst access is zero-wait-state; if memory is non-interleaved, 1-wait-state burst access results.

The NSBMC960 allows for flexibility in the control of data buffers to the memory array. Propagation delay is minimized by providing these controls directly, and design flexibility maximized by allowing the control strategy to be programmable. Buffers as diverse as 74FCT245, 74FCT543, 74FCT646, 74FCT853 and 74FCT861 may be used without additional glue logic.

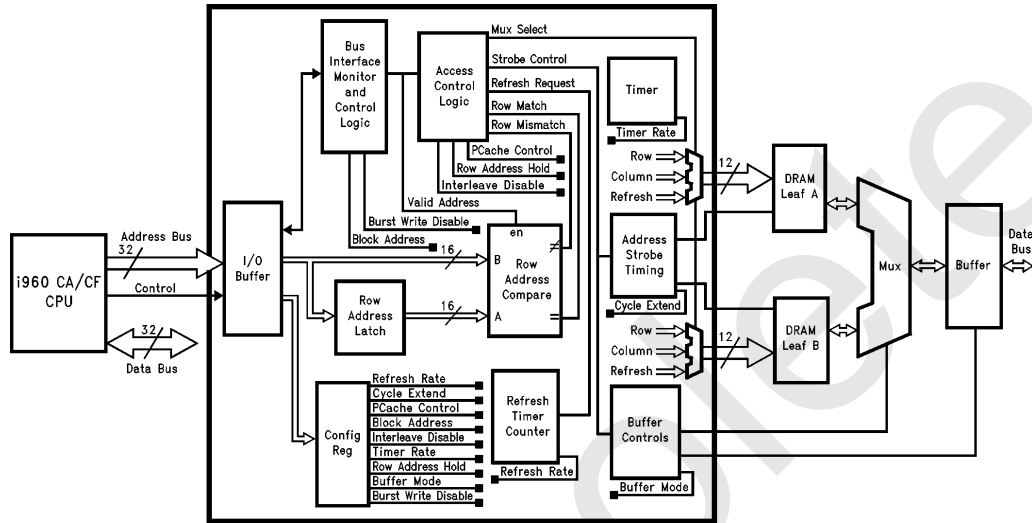


FIGURE 1. Functional Block Diagram

TL/V/11805-4

CONFIGURATION AND CONTROL

The NSBMC960 contains 64 bits of configuration data that controls its operational mode. The configuration is programmed by sending data on the address bus. *Figure 2* shows the format of a configuration access. The byte select field determines which byte of the 64-bit field will be updated

by the contents of the byte data field. Bits [1,0] are reserved and must be "0". The base address is fixed at 0xff0f0000 while the BMC select field must match the value programmed at the ID[2..0] pins. In order to protect against accidental programming, the configuration registers can only be modified when the processor is in supervisor mode.

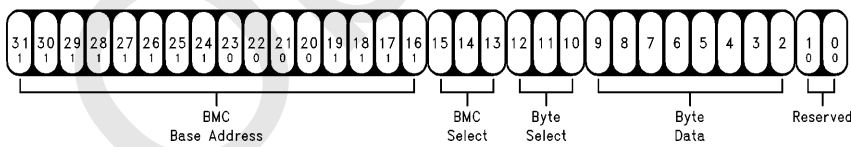


FIGURE 2. Address Bus Fields Used to Access Configuration Data

TL/V/11805-5

Functional Description (Continued)

BLOCK ADDRESS FIELD

Once configured, a NSBMC096 responds to access requests within the programmed block address range. The programmed value sets the starting address of the block, while the size of the block is determined by the DRAM size

control bits. The block address, however, is constrained to start on a boundary that is an integer multiple of the block size. For example, if 1 Mbit \times 1 DRAMs are used, the memory block size is 8 Mbytes and must start on an 8 Mbyte boundary.

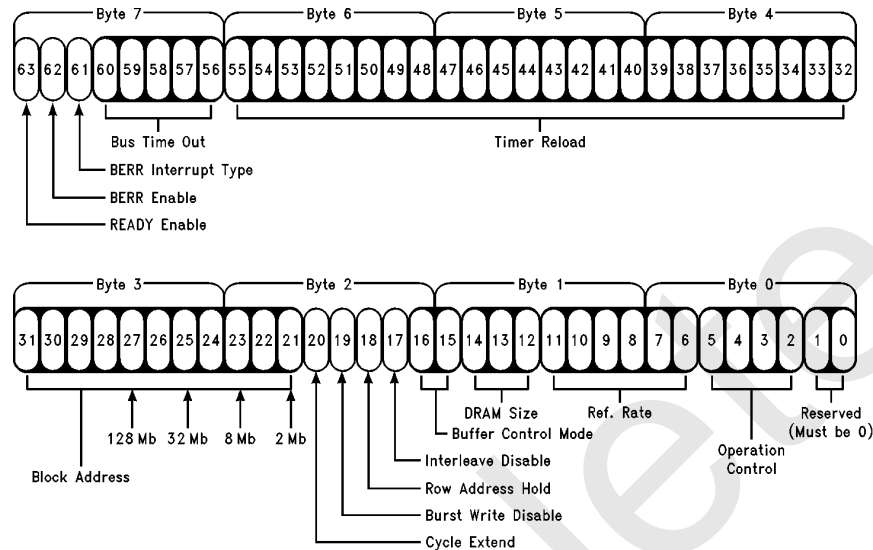


FIGURE 3. Configuration Register Control Fields

TL/V/11805-6

CYCLE EXTEND

In order to maximize the choice of memory device speeds that may be used for various system clock rates, the Row Address Strobe (RAS) period for a basic access may be programmed for either 3 or 4 clock cycles. When cleared to "0", configuration bit 20 indicates that 3 clock cycles (2 wait states) are to be used (2-0-0-0 burst access), when set to "1", 4 are required (3 wait states for a basic access 3-0-1-0 for burst). Setting bit 20 to "1" also has the effect of increasing the RAS pre-charge time by 1 clock cycle. Calculation of the number of cycles required per access type is detailed in the NSBMC096 Application Guide.

BURST WRITE DISABLE

If bit 19 of the configuration word is set to "1", burst write cycles are disabled. Subsequently, when the NSBMC096 detects the start of a burst write access, it asserts the BTERM signal to request that the processor terminate the burst in progress and transfer the remaining data using a series of simple cycles. This feature is included in order to facilitate the implementation of systems without latching buffers. Latching buffers are required to prevent data hold

violations during burst writes. If burst writes are disabled, latching buffers are no longer required.

ROW ADDRESS HOLD

Bit 18 of the configuration register controls the time at which the memory address switches from row to column address. This allows the designer to control the address hold time relative to RAS so that the slowest memory can be used for a range of clock speeds. Setting Bit 18 yields the maximum row address hold time, clearing it shortens the row address hold in favor of additional column address setup.

INTERLEAVE DISABLE

In cost sensitive applications, it is sometimes desirable for a system to operate with a single bank of memory so as to reduce the minimum memory required. In this case the interleave mode bit is programmed to "1". If a second bank of memory is added, this bit can be programmed to "0" to enable interleave operation and peak performance. In non-interleave mode a burst access is either 2-1-1-1 with Cycle Extend disabled, or 3-2-2-2 with Extended Cycle. Non-interleave operation uses only leaf A signals.

Functional Description (Continued)

BUFFER CONTROL MODE FIELD

The transfer of Data from the memory sub-system to the i960 bus occurs through buffers controlled by the NSBMC096. Two of the signals (LEA, LEB) provide transparent latch controls for use during write cycles. LEA and LEB have variable timing but fixed interpretation. The other two signals, TXA and TXB, change in both timing and function according to programmed mode. Table II presents these signals using names that are based on the function performed.

Signals containing TX are transmit controls for buffers that have output enables (transmit from the memory system). Buffers such as '245s or '646s, which have direction and enable pins, are controlled by CE (chip enable) in modes 1 and 3. Signals ending with A or B are specific to one or the other of the two leaves of memory controlled by the NSBMC096. Signals without suffixes apply to both leaves. The signal LeafB/*A, required in some configurations, indicates which memory leaf will be selected on the next clock cycle.

TABLE II. Interpretation of the Buffer Control Signals for Various Control Modes

| Mode | Signal 1 | Signal 2 |
|------|----------|----------|
| 0 | TXA | TXB |
| 1 | CEA | CEB |
| 2 | TX | LeafB/*A |
| 3 | CE | LeafB/*A |

Table III presents some of the possible configurations with the corresponding mode settings. For a comprehensive discussion of the selection of a buffer strategy, refer to the NSBMC096 Application Guide.

TABLE III. Possible NSBMC096 Memory/Buffer Configurations

| Buffer Type | DRAM Type | Write Access | Read Access | Buffer Mode |
|-------------|-----------|--------------|-------------|-------------|
| 74FCT245 | Nibble | 2-4-4-4* | 2-0-0-0 | Mode 3 |
| 74FCT245 | Bit | 2-4-4-4* | 2-0-0-0 | Mode 1 |
| 74FCT646 | Nibble | 1-0-0-0 | 2-0-0-0 | Mode 3 |
| 74FCT543 | Bit | 1-0-0-0 | 2-0-0-0 | Mode 0 |
| Am29C983 | Bit | 1-0-0-0 | 2-0-0-0 | Mode 2 |
| None | Nibble | 2-4-4-4* | 2-0-0-0 | Mode 2, 3 |

*These configurations have burst writes disabled.

DRAM SIZE FIELD

This three bit field, bits 12–14, selects the DRAM device address size, and consequently, memory block size. Note that the memory in both leaves of a bank are required to be of the same size and organization for correct operation. Table IV lists the size codes and the corresponding device sizes.

TABLE IV. Size Code Settings, DRAM Density and Address Range Size

| Memory Size Code | Memory Block Size | Max Banks | Memory Types |
|------------------|-------------------|-----------|--------------|
| 0 0 0 | 2 MB | 1 | 256k x 1 |
| 0 0 1 | 8 MB | 1 | 1 MB x 1 |
| 0 1 0 | 32 MB | 1 | 4 MB x 1 |
| 0 1 1 | 128 MB | 1 | 16 MB x 1 |
| 1 0 0 | 2 MB | 4* | 64k x 4 |
| 1 0 1 | 8 MB | 4* | 256k x 4 |
| 1 1 0 | 32 MB | 4* | 1 MB x 4 |
| 1 1 1 | 128 MB | 4* | 4 MB x 4 |

*Note that banks are sequentially addressed within a block.

REFRESH RATE FIELD

The system clock frequency is used to derive the period of DRAM refresh cycles. The refresh rate is calculated as (PCLK clock frequency) / (16 x (programmed value + 1)). If, for example, the system clock is 25 MHz and the programmed value is 24 (0x18), the NSBMC096 will execute the 256 refresh cycles for a 256k DRAM in 4.096 ms.

The algorithm employed by the NSBMC096 guarantees the time for complete device refresh, however, individual row refresh may be delayed so as not to pre-empt bursts in progress. Since the maximum burst is 6 clock cycles in length, this delay in no way endangers data integrity. Access to devices other than NSBMC096 controlled memory are not delayed by refresh, access to memory while refresh is in progress are completed once the refresh cycle is complete.

TIMER CONTROL FIELD

The 24-bit timer is a counter which scales PCLK by a programmable amount and automatically reloads when terminal count is reached. The contents of the timer cannot be read directly, however, the counter will generate an interrupt when terminal count is reached. The timer is disabled following a RESET and the **Timer Reload** value (Configuration Bytes 4–6) must be programmed before the timer is enabled.

The terminal count interrupt can be generated to comply with either edge triggered or level sense interrupt controllers. Edge triggered mode generates a pulse that is low for two cycles when terminal count is reached. In Level sense mode, the output is asserted low when terminal count is reached and the output remains low until the Acknowledge Timer Interrupt op-code is written to configuration byte 0. See the section on Operation Control for further detail concerning timer interrupt control.

BUS WATCH TIMER CONTROL FIELD

The NSBMC096 contains circuitry that monitors all bus access requests regardless of the target address. Access made to a region configured for external ready can hang the processor if for some reason READY is not returned to terminate the access. The NSBMC096 can detect such a condition and if the bus watch feature is enabled, will return READY and BERR.

Functional Description (Continued)

The bus monitor operates by monitoring the state of the DEN signal. Should it be asserted for longer than the programmed **Bus Time Out** value in configuration register 7, **Ready** is asserted if configuration bit 63 is set. If configuration bit 62 is set, BERR is also asserted. The BERR signal behaves much like the timer interrupt in that it can be programmed to produce a pulse or a level state.

If level state operation is selected, (configuration bit 61 = 1), BERR will only be deasserted when configuration register 7 is accessed in a read cycle. If configuration bit 61 is cleared to zero, a two cycle pulse is produced on time-out. By providing both modes of operation, the BERR signal may be connected directly to the processor, or to an external WATCHDOG™ circuit.

OPERATION CONTROL FIELD

Byte 0 of the configuration register contains three fields. The first field (from LSB) is reserved for test purposes and

must be zero for proper in-circuit operation. The second field is the operation control field which is used to control the state of the page cache, timer, interrupts and bus error signal. The third field is the low two bits of the refresh rate. The NSBMC096 has been designed such that if any of the bits in the operation control field is written with a "1", access to the other two fields is disabled and the previous value is retained. If all bits in the operation control field are "0", the reserved and refresh rate fields are updated from the current input.

Since the control register is accessed as a byte, automatic masking of the non-control field bits simplifies programming of the control parameters. All parameters in this field may be modified on-the-fly, and all functions are disabled by reset. The operational controls have been encoded such that any access to the register will only modify one parameter.

| Bit | | | | | | | | Control Function |
|-----|---|---|---|---|---|---|---|---|
| 7 | 6 | 5 | 4 | 3 | 2 | 1 | 0 | |
| D | D | 0 | 0 | 0 | 0 | D | D | Update Bits 0, 1, 6 and 7 with data D |
| X | X | 0 | 1 | 0 | 0 | X | X | Instruction Access Page Cache Disable (Default) |
| X | X | 0 | 1 | 1 | 0 | X | X | Instruction Access Page Cache Enable |
| X | X | 0 | 1 | 0 | 1 | X | X | Data Access Page Cache Disable (Default) |
| X | X | 0 | 1 | 1 | 1 | X | X | Data Access Page Cache Enable |
| X | X | 1 | 0 | 0 | 0 | X | X | Acknowledge Timer Interrupt |
| X | X | 1 | 0 | 1 | 0 | X | X | Enable Timer Output for Level Sense Interrupt |
| X | X | 1 | 1 | 0 | 0 | X | X | Disable All Timer Interrupts |
| X | X | 1 | 1 | 1 | 0 | X | X | Enable Timer Output for Edge Sense Interrupt |

PAGE CACHE MANAGEMENT

The Page Cache management implemented by the NSBMC096 incorporates a mechanism whereby advantage can be taken of the page access mode of DRAMs, not only for burst access, but also for non-sequential data and instruction access. The mechanism relies on the fact that as long as RAS is asserted, access to the selected row can be gained by simply asserting a column address and the CAS strobe. The resulting access is slower than a burst only by the amount of time required to ensure that the desired address is in the same row as was previously selected.

The benefits of this type of access are obvious, however, there can be drawbacks. If the required address does not reside in the same page as that selected, the currently selected row must be released and the new row selected before the access can proceed. The process of de-selecting a row and selecting a new one requires that the RAS pre-charge time be allowed to expire before the selection of a new row can begin. This pre-charge time can require up to two additional cycles over a standard access startup.

The efficiency of this type of cache (PCache) is related to a large extent on the locality of reference of the datum being accessed. For systems that have mixed Instruction and Data memory systems, PCache efficiency is very dependent

on the behavior of the program being executed as related to the "run-length" of data and instruction access, the processor internal cache utilization, and the locality of data and instruction references. Since throughput is lowered by cache misses, the page cache can be dynamically enabled/disabled for instruction and/or data access. In this manner the programmer can apply the mechanism judiciously in order to maximize throughput.

For systems in which Instruction and data spaces are controlled by independent NSBMC096s, the page cache management can be used to greater effect as data and instruction "run length" ceases to be a factor in determining performance. In this type of configuration cache efficiency is simply a function of locality of reference and a control strategy for the page cache mechanism is much simpler to derive and implement. PCache management is independently controlled for instruction and data access. A recommended starting strategy for improving performance of mixed instruction/data systems is to rely on the burst mechanism and the internal cache for instruction fetching, and enable PCache for Data access only. This general rule of thumb can be improved on, once program behavior is benchmarked.

Application Example

| | | | |
|-------------------|--|---------------|--|
| System Clock: | 25 MHz | Cycle Extend: | Disabled (3 clock RAS derived from t_{RSHL} of NSBMC096, RAS access time of DRAM, buffer delay of 74FCT245 and setup time of the processor's data inputs) |
| Refresh Rate: | 16 μ s per row (0×18) | Burst Write: | Disabled |
| Memory Size: | 1 MB x 1 (Size = 1) | Base Address: | 8 MB (0b00000000100) |
| Buffer Mode: | Signal 1 = CEA, Signal 2 = CEB (Mode 1) | | |
| Interleave: | Enabled | | |
| Row Address Hold: | $\frac{1}{2}$ clock cycle (Row Address Hold = 0) | | |

Required Configuration for startup

0000 0000 1000 1000 1001 0110 0000 0000 (0x00889600)

Configuration Setup

```
0xFF0F0000 (0xFF0F0000, 0); /* Config. bits 7..0 = 0 */
0xFF0F0658 (0xFF0F0400 + (0x96 << 2), 0); /* Config. bits 15..8 = 0 */
0xFF0F0A20 (0xFF0F0800 + (0x88 << 2), 0); /* Config. bits 23..16 = 0 */
0xFF0F0C00 (0xFF0F0C00, 0); /* Config. bits 31..24 = 0 */
```

The ease with which the NSBMC096 may be integrated into a system design is illustrated in the diagram in Figure 4. The system shown supports an i960 CA/CF with between 2 and 128 MB of memory, depending on the devices selected, managed by a single NSBMC096. This specific example accommodates 1 MB x 1, 4 MB x 1 or 16 MB x 1 devices.

Connection of the NSBMC096 to the i960 CA/CF processor is accomplished simply by wiring together pins with the same names. The only exceptions are READY and BTERM. If the NSBMC096 is the only device that generates these two signals, they can be connected directly to the appropri-

ate inputs of the processor and require only a small pull up resistor to keep them de-asserted when in the high impedance state.

If multiple processor peripherals are connected to READY or BTERM, 3-state drivers should be used in such a manner that the signals are actively de-asserted prior to the driver being placed in its high impedance state. If this rule is followed, a simple "wire or" can be used. Alternately, all sources of READY or BTERM can be combined using multiple input gates and the processor signals driven by the outputs.

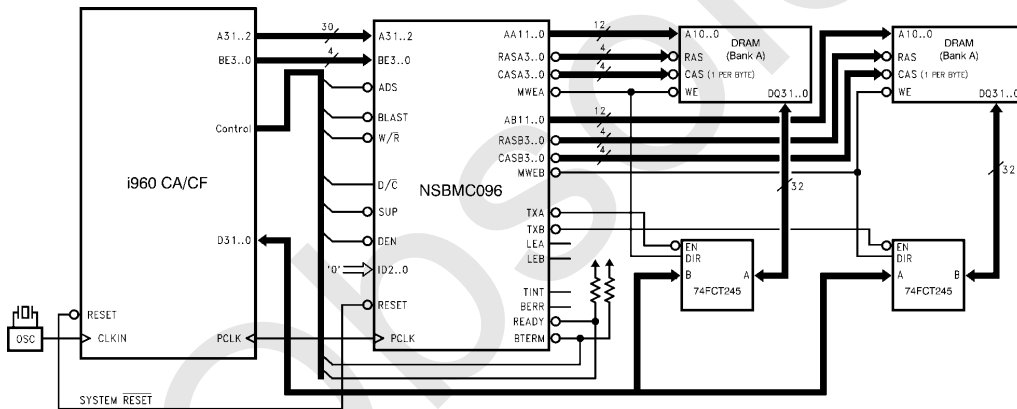


FIGURE 4. Possible System Interconnection using V96BMC
(Mode 1 where TXA is used as CEA and TXB as CEB)

TL/V11805-7

Timing Parameters

INTERFACE TIMING

The NSBMC096 interface to the i960 CA/CF has been designed for direct interconnect. It is not necessary to place other logic devices between the processor and the NSBMC096, nor is their use encouraged. The introduction of intermediate address or control signal buffers can result in skews or delays that will require the system clock frequency to be derated for operation under worst case conditions. The timing diagrams presented in this section assume that all signals between the processor and the NSBMC096 are un-buffered.

REFRESH TIMING

Figure 5 details the timing of the RAS only refresh performed by the memory controller when there is a competing request from a bus master. A competing request is defined as any request that occurs between T0 and T5. For any request in this range, the timing is exactly as shown. As illustrated, the diagram represents the timing that results when Cycle Extend is disabled. If Cycle Extend is enabled, an additional cycle is inserted at T3 and T8.

SIMPLE ACCESS TIMING

The NSBMC096 can return data to the processor in only 3 or 4 clock cycles for a basic access (2 or 3 wait states)

depending on whether Cycle Extend is enabled. If multiple access cycles are requested back to back then the BMC will pause for a minimum of 2 clocks between RAS cycles to insure that the RAS pre-charge time is met. This will result in 5 or 6 clocks between successive simple cycles.

Figure 6 shows the timing relationship between the system clock, processor control signals and NSBMC096 outputs. All NSBMC096 outputs are derived synchronously with the exception of t_{ARA} (processor address to row address delay). Two simple access cycles are shown in the diagram. The first is a read cycle that assumes that the NSBMC096 was idle prior to the start of the cycle, the second is backed onto the first to show the effect of RAS pre-charge imposed by NSBMC096. If Cycle Extend is enabled, a wait state will be inserted after cycles T3 and T8.

BURST ACCESS TIMING

When a burst access is requested by the processor, the NSBMC096 generates the sequence in Figure 7. If the burst is for 2 words (load double for example), the processor generates *BLAST in T5 and the sequence is shortened appropriately. The first access of the burst sequence begins in the same manner as a simple access. Consequently the timing parameters from Figure 6 may be applied in Figure 7.

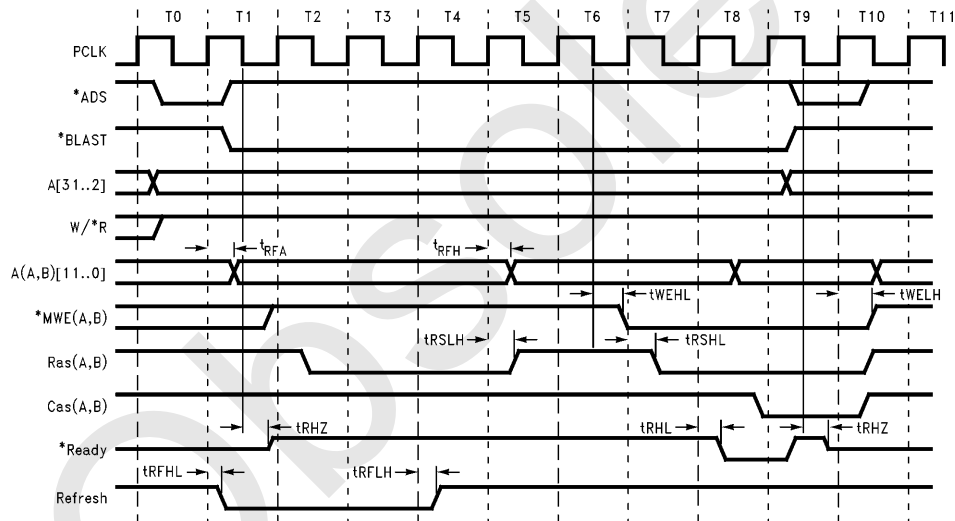


FIGURE 5. Refresh Timing

TL/V/11805-8

Timing Parameters (Continued)

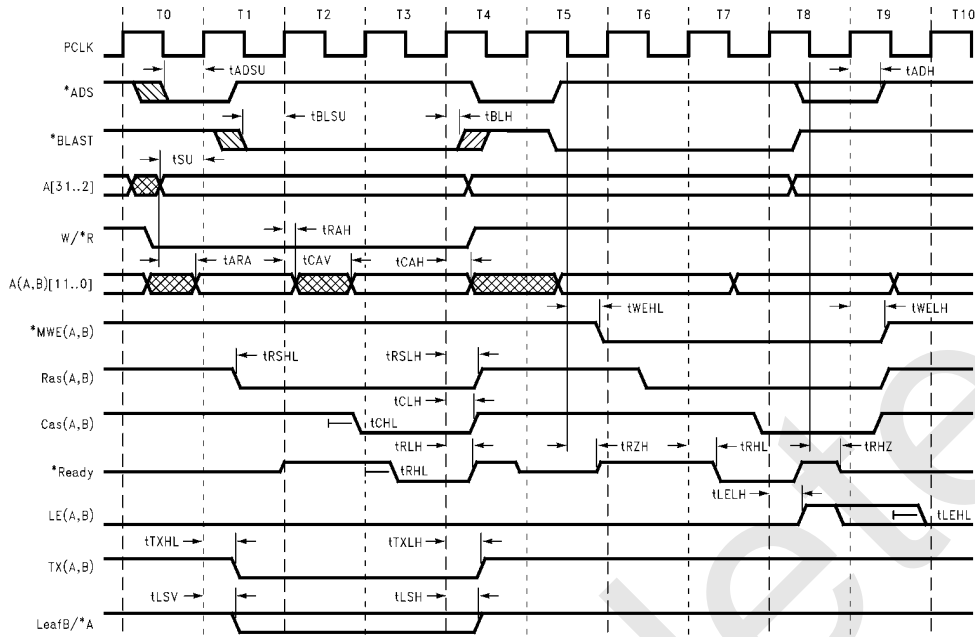


FIGURE 6. Basic Access Timing

TL/V/11805-9

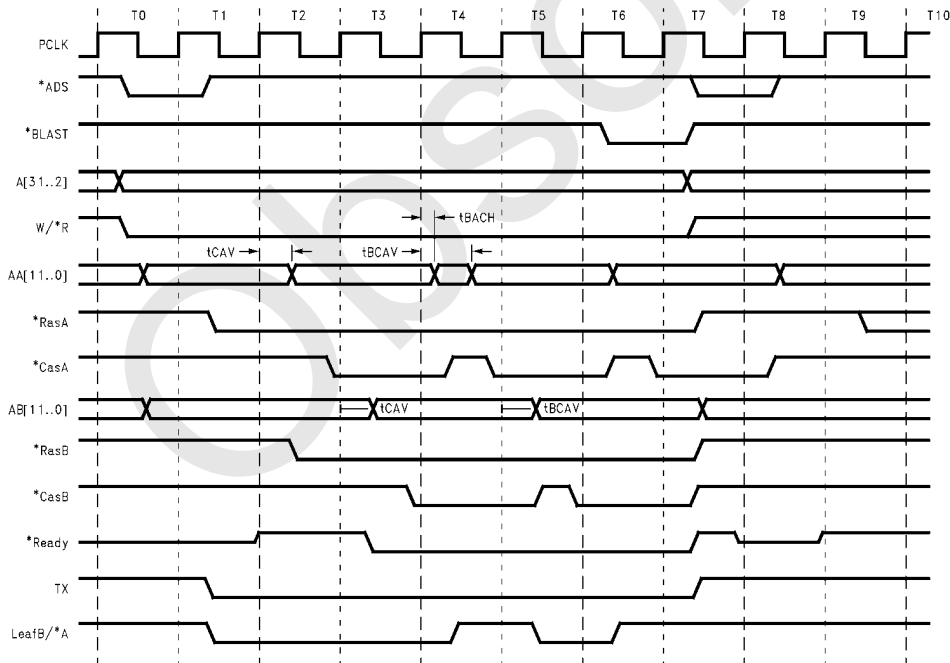
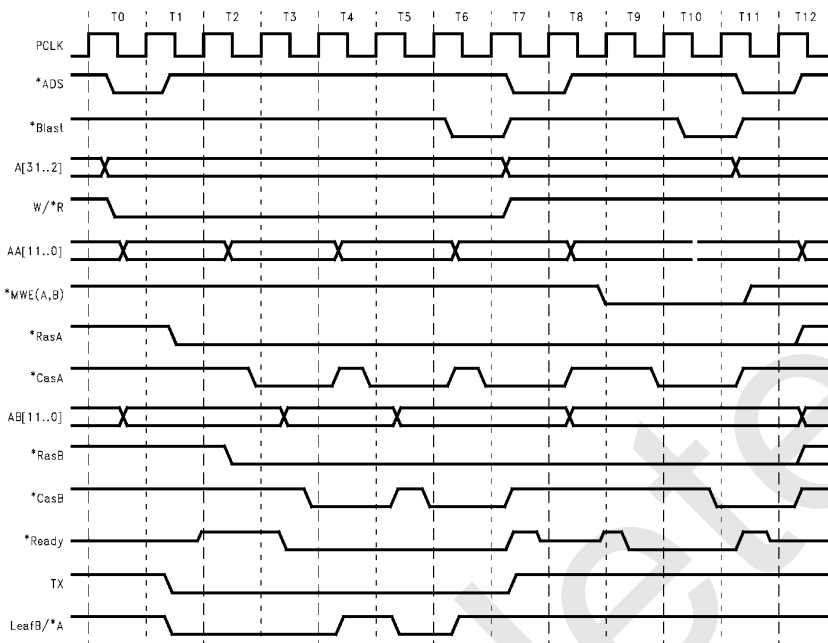


FIGURE 7. Burst Access Timing

TL/V/11805-10

Timing Parameters (Continued)

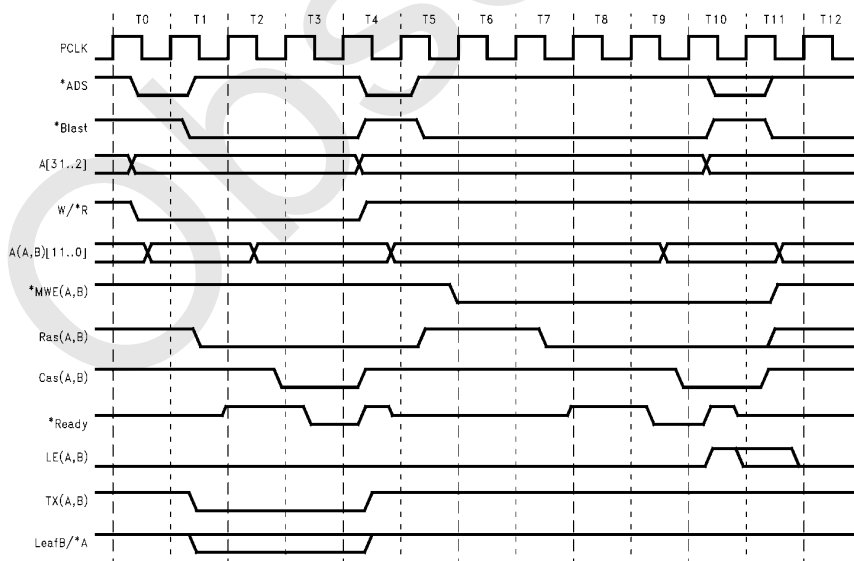


TL/V/11805-11

FIGURE 8. Burst Access w/t PCache Hit

Figures 8 and 9 show the sequence of events that can occur when PCache is enabled. The sequence in Figure 8 shows two back-to-back bursts in the same page. This type of sequence yields the highest data transfer rate achievable

with DRAM. Figure 9 shows the worst case scenario. This example shows two back-to-back simple access to different rows with PCache is enabled.



TL/V/11805-12

FIGURE 9. Simple Access w/t PCache Miss

Absolute Maximum Ratings

If Military/Aerospace specified devices are required, please contact the National Semiconductor Sales Office/Distributors for availability and specifications.

| | |
|---|--------------------------|
| Supply Voltage (V_{CC}) | -0.3V to +7V |
| Input Voltage (V_{IN}) | -0.3V to $V_{CC} + 0.3V$ |
| D.C. Input Current (I_{IN}) | ± 50 mA |
| Storage Temperature (\varnothing_{STG}) | -65°C to +150°C |

All Voltages References to Ground

Recommended Operating Conditions

| | |
|---|----------------|
| Supply Voltage (V_{CC}) | 4.5V to 5.5V |
| Ambient Temperature Range (\varnothing_A) | |
| Plastic Package | -0°C to +70°C |
| Ceramic Package | -55°C to +85°C |

DC Electrical Characteristics

| Symbol | Description | Conditions | Min | Max | Units |
|---------------|---|---|-----|-----------|---------|
| V_{IL} | Low Level Input Voltage | $V_{CC} = 4.75V$ | | 1.4 | V |
| V_{IH} | High Level Input Voltage | $V_{CC} = 5.25V$ | 3.7 | | V |
| I_{IL} | Low Level Input Current | $V_{IN} = V_{SS}, V_{CC} = 5.25V$ | -10 | | μA |
| I_{IH} | High Level Input Current | $V_{IN} = V_{CC} = 5.25V$ | | 10 | μA |
| V_{OL} | Low Level Output Voltage | $V_{IN} = V_{IL}$ or V_{IH} $I_{OL} = 24$ mA | | 0.4 | V |
| V_{OH} | High Level Output Voltage | $V_{IN} = V_{IL}$ or V_{IH} $I_{OL} = 24$ mA | 3.7 | | V |
| I_{OZL} | Low Level TRI-STATE® Output Current | $V_{IN} = V_{IL}$ or V_{IH} $V_O = V_{SS}$ | -20 | | μA |
| I_{OZH} | Low Level TRI-STATE Output Current | $V_{IN} = V_{IL}$ or V_{IH} $V_O = 5.25V$ | | 20 | μA |
| $I_{CC(Max)}$ | Maximum Supply Current Continuous Simple Access Continuous Burst Access | Continuous Simple Access | | 100 30 | mA |
| C_{IN} | Input Capacitance | | | 20 | pF |
| C_{OUT} | Output Capacitance | | | 20 | pF |

AC Timing Parameters (Unless otherwise stated $V_{CC} = 5.0V \pm 5\%$, $0^{\circ}C < T_A < 70^{\circ}C$.)

| Symbol | Description | 16 MHz | | 25 MHz | | 33 MHz | | Units |
|----------------|--|-----------|-----|-----------|-----|-----------|-----|-------|
| | | Min | Max | Min | Max | Min | Max | |
| 1. t_{ADSU} | Address Strobe Setup Time | 14 | | 12 | | 9 | | ns |
| 2. t_{ADH} | Address Strobe Hold Time | | 3 | | 3 | | 3 | ns |
| 3. t_{SU} | Synchronous Input Setup | 14 | | 12 | | 9 | | ns |
| 4. t_H | Synchronous Input Hold | | 3 | | 3 | | 3 | ns |
| 5. t_{BLSU} | BLAST Input Setup | 14 | | 12 | | 9 | | ns |
| 6. t_{BLH} | BLAST Input Hold | | 3 | | 3 | | 3 | ns |
| 7. t_{RZH} | READY 3-state to Valid Delay Relative to *PCLK | | 29 | | 24 | | 19 | ns |
| 8. t_{RHL} | READY Synchronous Assertion Delay | | 26 | | 21 | | 17 | ns |
| 9. t_{RLH} | READY Synchronous De-assertion Delay | | 25 | | 20 | | 16 | ns |
| 10. t_{RHZ} | READY Valid to 3-state Delay Relative to *PCLK | | 27 | | 22 | | 17 | ns |
| 11. t_{ARA} | Address Input to Row Address Output Delay (Note 1) | | 23 | | 19 | | 15 | ns |
| 12. t_{RAH} | *PCLK or PCLK to Row Address Hold | | 40 | | 33 | | 26 | ns |
| 13. t_{CAV} | *PCLK or PCLK to Column Address Valid (Note 1) | | 38 | | 31 | | 25 | ns |
| 14. t_{CAH} | PCLK to Column Address Hold | 4 | | 4 | | 4 | | ns |
| 15. t_{DRAH} | DRAM Row Address Hold (Note 2) | t_{M-4} | | t_{M-4} | | t_{M-3} | | ns |
| 16. t_{RSHL} | PCLK to RAS Asserted Delay (Note 1) | | 29 | | 24 | | 19 | ns |
| 17. t_{RSLH} | PCLK to RAS De-asserted Delay (Note 1) | | 26 | | 21 | | 17 | ns |
| 18. t_{CHL} | PCLK to CAS Asserted Delay (Note 1) | | 23 | | 19 | | 15 | ns |
| 19. t_{CLH} | PCLK to CAS De-asserted Delay (Note 1) | | 20 | | 16 | | 13 | ns |
| 20. t_{BHL} | PCLK to Buffer Control Asserted Delay (Note 1) | | 26 | | 21 | | 17 | ns |
| 21. t_{BLH} | PCLK to Buffer Control De-asserted Delay (Note 1) | 4 | 23 | 4 | 19 | 4 | 15 | ns |
| 22. t_{BSV} | PCLK to Bank Select Valid Time (Note 1) | | 26 | | 21 | | 17 | ns |
| 23. t_{BSH} | PCLK to Bank Select Hold Time (Note 1) | 4 | | 4 | | 4 | | ns |
| 24. t_{WEHL} | *PCLK to Write Enable Asserted Delay (Note 1) | | 31 | | 25 | | 20 | ns |
| 25. t_{WELH} | PCLK to Write Enable De-asserted Delay (Note 1) | | | | | | | ns |
| 26. t_{BCAH} | *PCLK to Column Address Hold Time (Burst) (Note 1) | 5 | | 5 | | 4 | | ns |
| 27. t_{BCAV} | *PCLK to Column Address Valid Delay (Burst) (Note 1) | | 29 | | 23 | | 19 | ns |
| 28. t_{LEHL} | *PCLK to Latch Enable Assertion | | 23 | | 19 | | 15 | ns |
| 29. t_{LELH} | PCLK to Latch Enable De-assertion | | 20 | | 16 | | 13 | ns |
| 30. t_{RFA} | PCLK to Row Address Valid (Refresh) | | 38 | | 31 | | 25 | ns |
| 31. t_{RFH} | PCLK to Row Address Hold (Refresh) | 5 | | 5 | | 4 | | ns |
| 32. t_{RFHL} | REFRESH Synchronous Assertion Delay | | 20 | | 16 | | 13 | ns |
| 33. t_{RFLH} | REFRESH Synchronous De-assertion Delay | | 20 | | 16 | | 13 | ns |

*Signal output delays are measured relative to PCLK (except as indicated) using a 50 pF load.

Note 1: Derate the given delays by 0.006 ns per pF of load in excess of 50 pF.

Note 2: $t_M =$ PCLK High duration when configuration bit 18 = 0. $t_M =$ PCLK cycle time = $1/(\text{PCLK frequency})$ for configuration bit 18 = 1. Timing for Rev AB silicon.

Errata for NSBMC096

The document defines all known errata related to the operation of the NSBMC096 Memory Controller.

ERRATUM # 1

Pulse mode interrupts from the NSBMC096 are two cycles long. The current rev. of the i960CA/CF requires a minimum interrupt pulse width of three clock cycles.

RECOMMENDED FIX

Program the NSBMC096 for level mode interrupts.

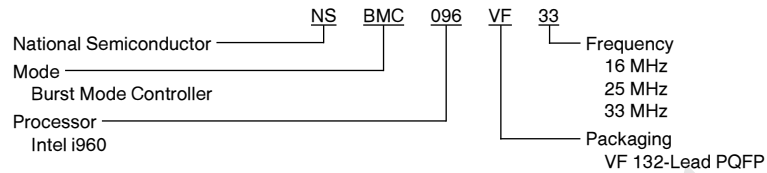
ERRATUM # 2

When the NSBMC096 is programmed for extended timing mode operation, back to back memory read cycles will fail.

RECOMMENDED FIX

Program the i960CA/CF memory region for the NSBMC096 to insert one wait state following each memory access (i.e., Set $N_{XDA} = 1$).

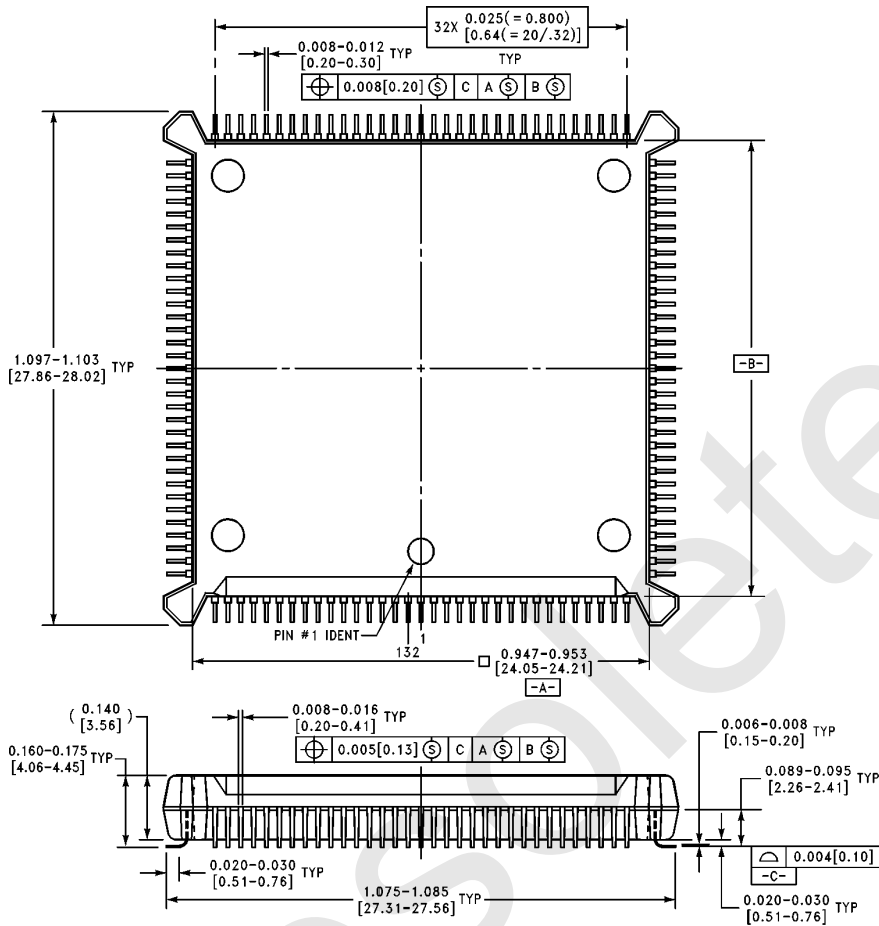
Ordering Code Information



Obsolete

NSBMC096-16/-25/-33 Burst Memory Controller

Physical Dimensions inches (millimeters)



132-Pin Plastic Quad Flatpak (PQFP)
Order Number NSBMC096VF
NS Package Number VF132A

VF132A (REV D)

LIFE SUPPORT POLICY

NATIONAL'S PRODUCTS ARE NOT AUTHORIZED FOR USE AS CRITICAL COMPONENTS IN LIFE SUPPORT DEVICES OR SYSTEMS WITHOUT THE EXPRESS WRITTEN APPROVAL OF THE PRESIDENT OF NATIONAL SEMICONDUCTOR CORPORATION. As used herein:

1. Life support devices or systems are devices or systems which, (a) are intended for surgical implant into the body, or (b) support or sustain life, and whose failure to perform, when properly used in accordance with instructions for use provided in the labeling, can be reasonably expected to result in a significant injury to the user.
2. A critical component is any component of a life support device or system whose failure to perform can be reasonably expected to cause the failure of the life support device or system, or to affect its safety or effectiveness.



National Semiconductor Corporation
 1111 West Bardin Road
 Arlington, TX 76017
 Tel: 1(800) 272-9959
 Fax: 1(800) 737-7018

National Semiconductor Europe
 Fax: (+49) 0-180-530 85 86
 Email: cnjwge@tevm2.nsc.com
 Deutsch Tel: (+49) 0-180-530 85 85
 English Tel: (+49) 0-180-532 78 32
 Français Tel: (+49) 0-180-532 93 58
 Italiano Tel: (+49) 0-180-534 16 80

National Semiconductor Hong Kong Ltd.
 19th Floor, Straight Block,
 Ocean Centre, 5 Canton Rd.
 Tsimshatsui, Kowloon
 Hong Kong
 Tel: (852) 2737-1600
 Fax: (852) 2736-9960

National Semiconductor Japan Ltd.
 Tel: 81-043-299-2309
 Fax: 81-043-299-2408

National does not assume any responsibility for use of any circuitry described, no circuit patent licenses are implied and National reserves the right at any time without notice to change said circuitry and specifications.

IMPORTANT NOTICE

Texas Instruments Incorporated and its subsidiaries (TI) reserve the right to make corrections, modifications, enhancements, improvements, and other changes to its products and services at any time and to discontinue any product or service without notice. Customers should obtain the latest relevant information before placing orders and should verify that such information is current and complete. All products are sold subject to TI's terms and conditions of sale supplied at the time of order acknowledgment.

TI warrants performance of its hardware products to the specifications applicable at the time of sale in accordance with TI's standard warranty. Testing and other quality control techniques are used to the extent TI deems necessary to support this warranty. Except where mandated by government requirements, testing of all parameters of each product is not necessarily performed.

TI assumes no liability for applications assistance or customer product design. Customers are responsible for their products and applications using TI components. To minimize the risks associated with customer products and applications, customers should provide adequate design and operating safeguards.

TI does not warrant or represent that any license, either express or implied, is granted under any TI patent right, copyright, mask work right, or other TI intellectual property right relating to any combination, machine, or process in which TI products or services are used. Information published by TI regarding third-party products or services does not constitute a license from TI to use such products or services or a warranty or endorsement thereof. Use of such information may require a license from a third party under the patents or other intellectual property of the third party, or a license from TI under the patents or other intellectual property of TI.

Reproduction of TI information in TI data books or data sheets is permissible only if reproduction is without alteration and is accompanied by all associated warranties, conditions, limitations, and notices. Reproduction of this information with alteration is an unfair and deceptive business practice. TI is not responsible or liable for such altered documentation. Information of third parties may be subject to additional restrictions.

Resale of TI products or services with statements different from or beyond the parameters stated by TI for that product or service voids all express and any implied warranties for the associated TI product or service and is an unfair and deceptive business practice. TI is not responsible or liable for any such statements.

TI products are not authorized for use in safety-critical applications (such as life support) where a failure of the TI product would reasonably be expected to cause severe personal injury or death, unless officers of the parties have executed an agreement specifically governing such use. Buyers represent that they have all necessary expertise in the safety and regulatory ramifications of their applications, and acknowledge and agree that they are solely responsible for all legal, regulatory and safety-related requirements concerning their products and any use of TI products in such safety-critical applications, notwithstanding any applications-related information or support that may be provided by TI. Further, Buyers must fully indemnify TI and its representatives against any damages arising out of the use of TI products in such safety-critical applications.

TI products are neither designed nor intended for use in military/aerospace applications or environments unless the TI products are specifically designated by TI as military-grade or "enhanced plastic." Only products designated by TI as military-grade meet military specifications. Buyers acknowledge and agree that any such use of TI products which TI has not designated as military-grade is solely at the Buyer's risk, and that they are solely responsible for compliance with all legal and regulatory requirements in connection with such use.

TI products are neither designed nor intended for use in automotive applications or environments unless the specific TI products are designated by TI as compliant with ISO/TS 16949 requirements. Buyers acknowledge and agree that, if they use any non-designated products in automotive applications, TI will not be responsible for any failure to meet such requirements.

Following are URLs where you can obtain information on other Texas Instruments products and application solutions:

Products

| | |
|------------------------|--|
| Audio | www.ti.com/audio |
| Amplifiers | amplifier.ti.com |
| Data Converters | dataconverter.ti.com |
| DLP® Products | www.dlp.com |
| DSP | dsp.ti.com |
| Clocks and Timers | www.ti.com/clocks |
| Interface | interface.ti.com |
| Logic | logic.ti.com |
| Power Mgmt | power.ti.com |
| Microcontrollers | microcontroller.ti.com |
| RFID | www.ti-rfid.com |
| OMAP Mobile Processors | www.ti.com/omap |
| Wireless Connectivity | www.ti.com/wirelessconnectivity |

Applications

| | |
|-------------------------------|--|
| Communications and Telecom | www.ti.com/communications |
| Computers and Peripherals | www.ti.com/computers |
| Consumer Electronics | www.ti.com/consumer-apps |
| Energy and Lighting | www.ti.com/energy |
| Industrial | www.ti.com/industrial |
| Medical | www.ti.com/medical |
| Security | www.ti.com/security |
| Space, Avionics and Defense | www.ti.com/space-avionics-defense |
| Transportation and Automotive | www.ti.com/automotive |
| Video and Imaging | www.ti.com/video |

TI E2E Community Home Page

e2e.ti.com

Mailing Address: Texas Instruments, Post Office Box 655303, Dallas, Texas 75265
Copyright © 2011, Texas Instruments Incorporated