

# Type ABP Battery Protection Fuse 58V DC



www.optifuse.com (619) 593-5050

## Specifications:

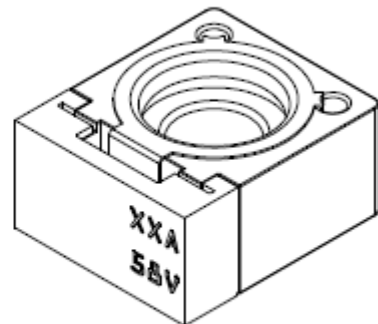
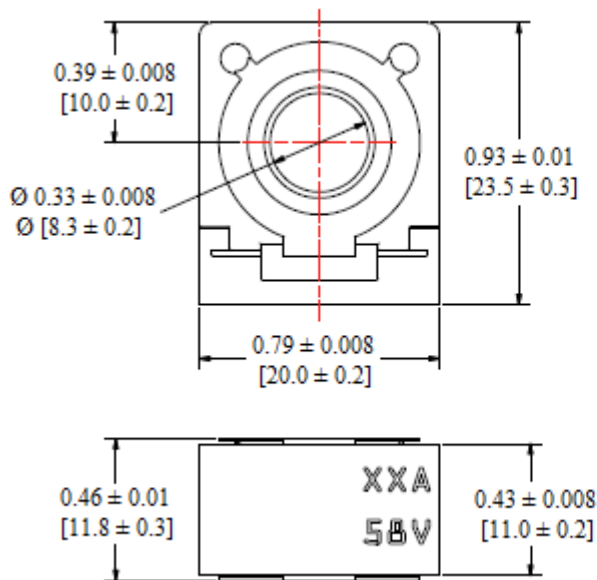
- Voltage: 58V DC
- Amperage: 30A, 40A, 50A, 60A, 75A, 80A, 100A, 125A, 150A, 175A, 200A, 225A, 250A, 300A
- Ceramic Body, Plastic Cover

Part Number	Max Fuse-Link Voltage Drop (mV)
ABP-30A	110
ABP-40A	110
ABP-50A	110
ABP-60A	105
ABP-75A	105
ABP-80A	100
ABP-100A	100
ABP-125A	95
ABP-150A	90
ABP-175A	85
ABP-200A	80
ABP-225A	80
ABP-250A	75
ABP-300A	70

Time Characteristics:		
% of Rated Current	Min Hold Time	Max Hold Time
100%	100h	∞
135%	5s	30m
150%	1s	10m
200%	200ms	1m
350%	30ms	1s
* 600% (30~150A)	10ms	200ms

\* Fuses over 150A (175A~300A) not tested for 600% Rating

## Mechanical Dimensions: Inches [mm]



<p><b>Warning:</b></p>	<p>-Operation beyond the specified maximum ratings or improper use may result in damage and possible electrical arcing and/or flame.</p> <p>-Avoid contact of device with chemical solvent. Prolonged contact may damage the device performance.</p>
------------------------	--