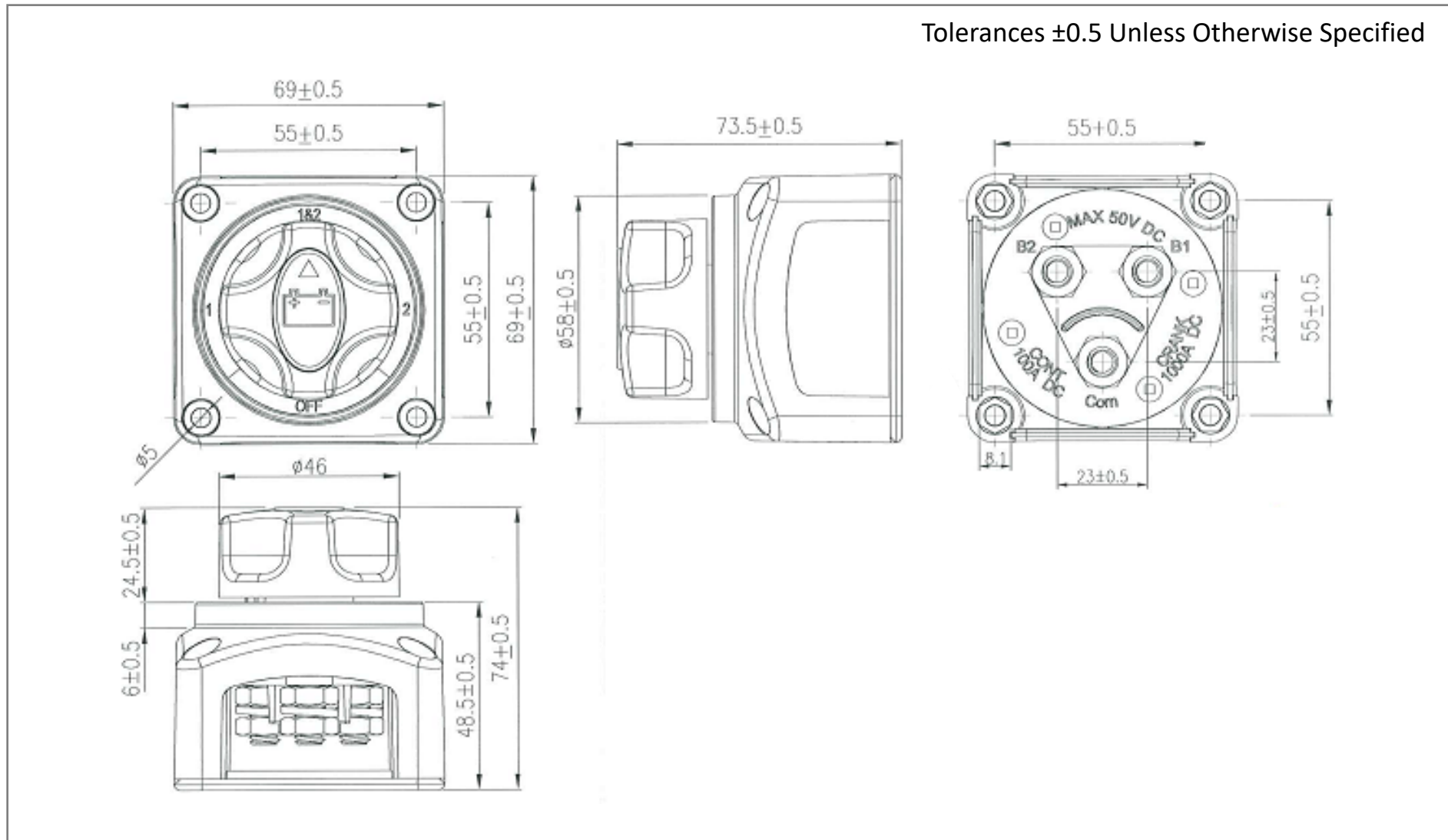
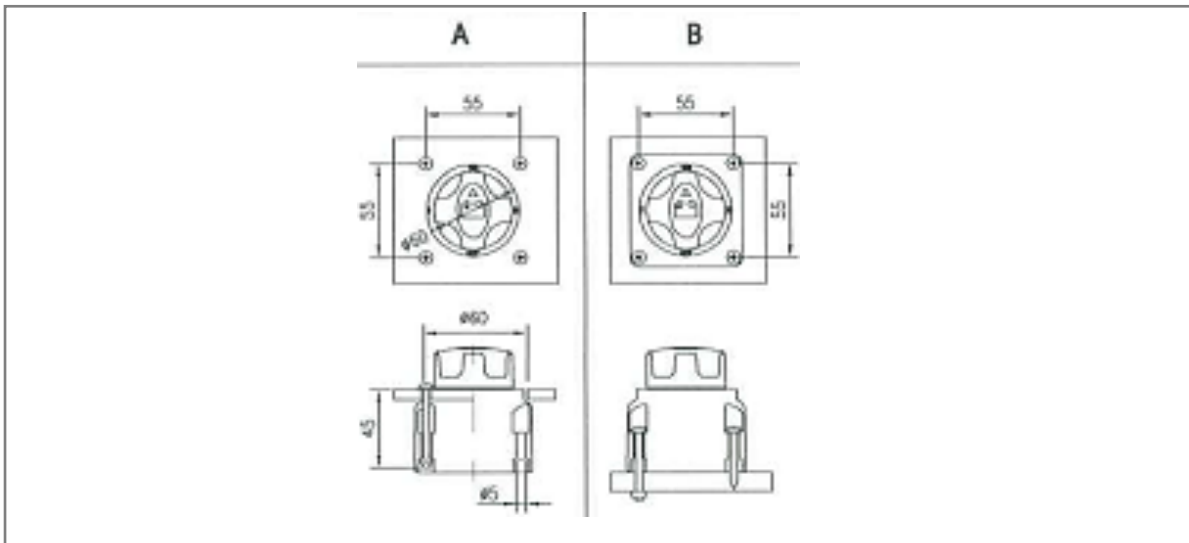


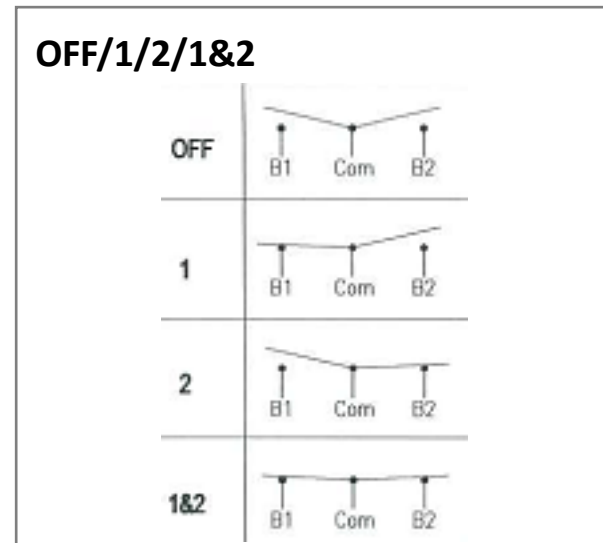
Mechanical Dimensions (mm)



Mounting Hole



Circuit Diagram



Electrical Specifications

Rating	100A 12-50V DC max
Intermittent Rating	150A
Cracking Rating	500 Amps
Insulation Resistance	DC 1000V 100M ohm Min.
Dielectric Strength	DC 2000 / AC 1000V 1 minute

Material Specifications

Housing	PBT
Actuator	PBT
Cover	PBT
Contact screw	Copper alloy
Nut	Nickel plated brass