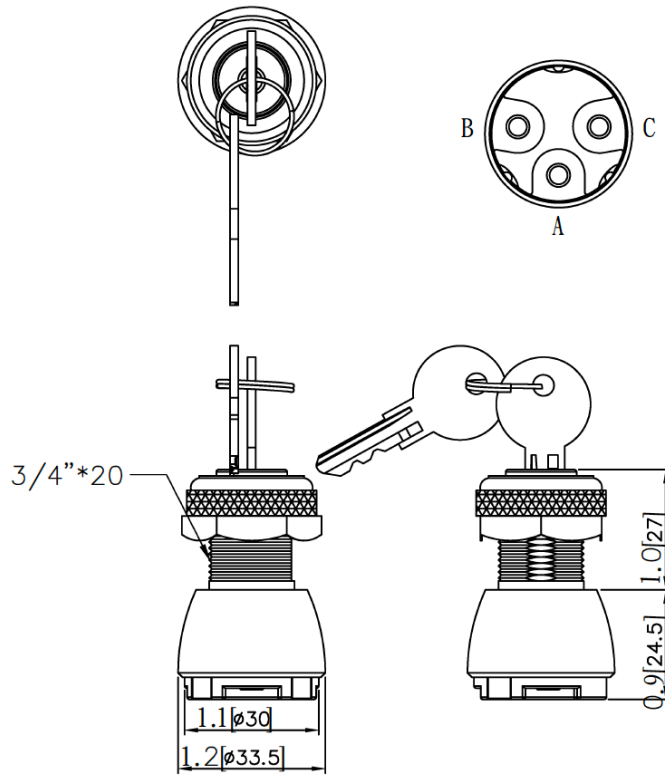
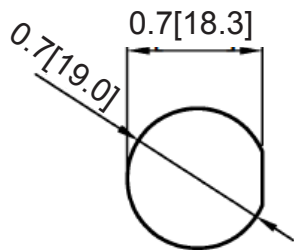


**Mechanical Dimensions: Inches [mm]**

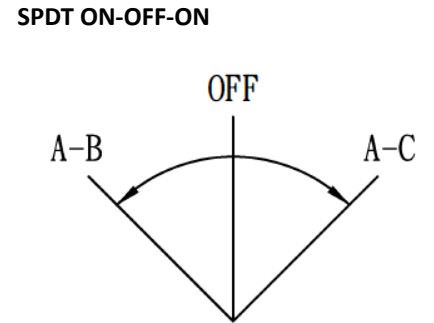
Tolerances  $\pm 0.012$  [0.5] Unless Otherwise Specified



**Mounting Hole**



**Circuit Diagram**



**Electrical Specifications**

**Continuous Rating** 15A 6VDC, 10A 12VDC

**Material Specifications**

Zinc diecast construction

Bronze terminals

2 Brass keys. Key removable in OFF position only

**Rev**    **Date of issue**    **Revision Notes**

**Designed**    **Approved**

A	11-13-2019	Initial Drawing	RC	OF
---	------------	-----------------	----	----