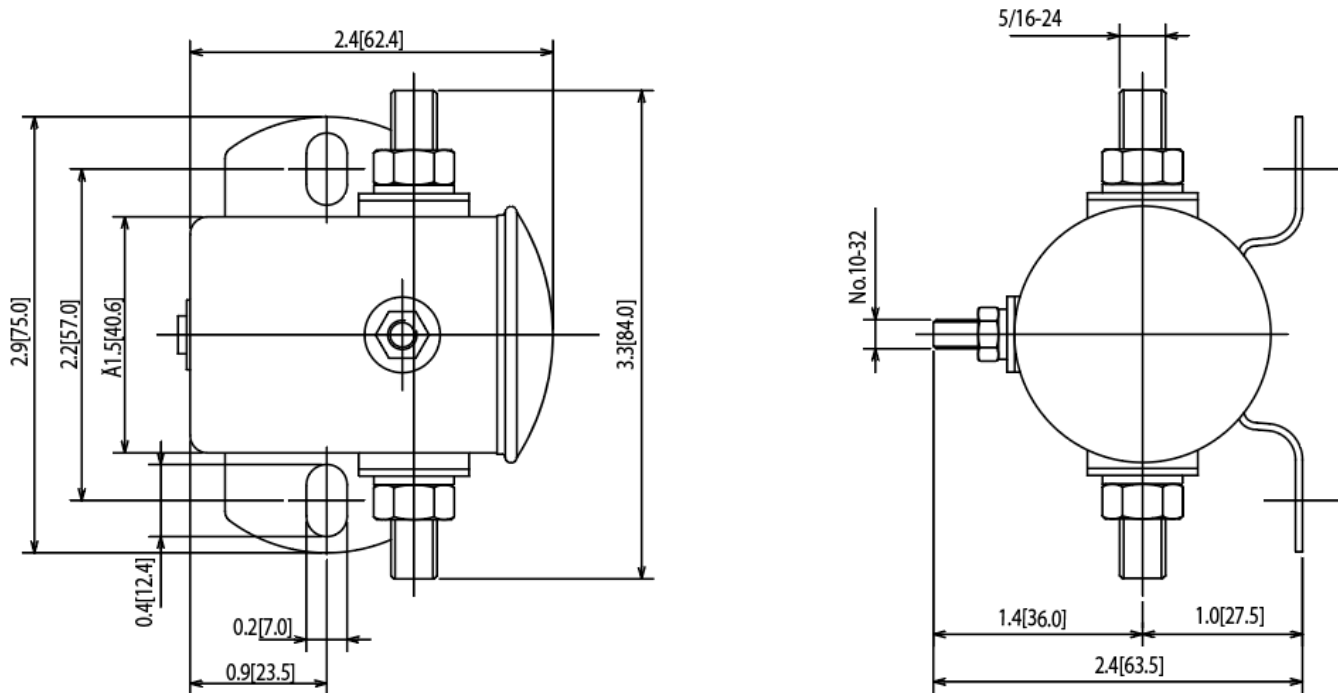


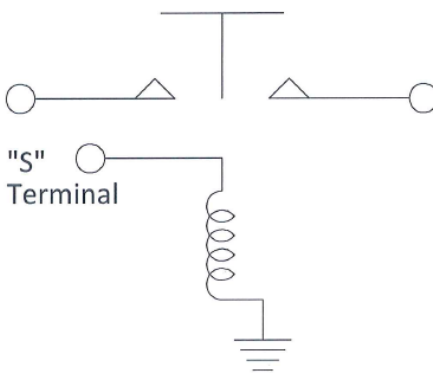
## Mechanical Dimensions: Inches [mm]

Tolerances  $\pm 0.012$  [0.5] Unless Otherwise Specified



## Circuit Diagram

Continuous Duty. Insulated base



## Electrical Specifications

Continuous Rating	12V 100A
Coil Resistance	15 $\pm$ 2 Ohms
Operating Voltage	<9VDC
Release Voltage	>1.2VDC

## Material Specifications

Iron plates with trivalent zinc body
Copper terminals
Load terminals 5/16" - 24 Thread, Coil terminals No.10-32 Thread
Bracket Mounting Holes: 9/32" x 3/4", 2 13/64" on centers.
Straight bracket

Rev	Date of issue	Revision Notes	Designed	Approved
A	11-21-2019	Initial Drawing	RC	OF